



Illustrated Parts Manual

Models **600A** **600AJ**

Prior to
S/N 0300069000

P/N
3120841

September 1, 2013



An Oshkosh Corporation Company

REVISION LOG

NOTES:

ADE SYSTEM IDENTIFICATION

Most 600A and 600AJ machines from S/N 64249 incorporate the ADE System, but no clean S/N break exist. The following machine serial numbers prior to S/N 64249 also utilize ADE System: 63908, 63912, 63932, 63936, 63938, 63954, 63959 and 63963. A machine that incorporates ADE System can be outwardly identified by the analyzer connection at the base of the platform control box.



MANUAL REVISION LOG:

February 1996 - Original Issue Of Manual

September 1997 - Revised (Manual edited to 0010519 Revision 31)

February, 1998 - Change 1 (Manual edited to 0010519 Revision 37)

Pages Affected:

Cover

Effectivity Page: a

Table of Contents Pages: i & ii

Section 1 Pages: 1-1 & 1-28 to 1-30

Section 2 Pages: 2-1, 2-2, 2-4 to 2-6, 2-10, 2-20, 2-22 to 2-24, 2-26, 2-27, 2-29, 2-31 to 2-36,
2-38, 2-39, 2-42, 2-45, 2-48, to 2-51, 2-58 to 2-59B, 2-62 to 2-65 & 2-67 to 2-69

Section 3 Pages: 3-1, 3-13, 3-21 to 3-24

Section 4 Pages: 4-1, 4-5 to 4-9, 4-17 & 4-18

Section 5 Pages: 5-1 & 5-28 to 5-30

Section 7 Pages: 7-1 to 7-28

Section 8 Pages: 8-4 & 8-5

REVISION LOG

Section 9 Pages: 9-1

Section 10 Pages: 10-2

February 12, 1999 - Revised (Manual edited to 0010519 Revision 50)

September 30, 1999 - Revised (Manual edited to 0010519 Revision 58)

March 1, 2000 - Revised (Manual edited to 0010519 Revision 63)

August 22, 2001 - Revised (Manual edited to 0010519 Revision 73)

(Manual edited to 0010577 Revision 6 With ADE System)

March 1, 2002 - Revised (Manual edited to 0010577 Revision 9)

July 31, 2002 - Revised (Manual edited to 0010577 Revision 18)

February 15, 2003 - Added "Prior to S/N 0300069000" to Front Cover. Refer to Parts Manual 3121855 for Machines Built S/N 0300069000 to 0300087000.

March 6, 2003 - Revised Manual

June 16, 2003 - Revised Manual

May 5, 2004 - Revised Manual

April 11, 2005 - Revised Manual

November 15, 2005 - Revised Manual

April 18, 2006 - Revised Manual

July 19, 2006 - Revised Manual

December 12, 2006 - Revised Manual

May 1, 2007 - Revised Manual

August 16, 2007 - Revised Manual

December 4, 2007 - Revised Manual

March 31, 2008 - Revised Manual

September 15, 2008 - Revised Manual

February 15, 2009 - Revised Manual

August 1, 2009 - Revised Manual

March 25, 2010 - Revised Manual

August 15, 2010 - Revised Manual

May 27, 2011 - Revised Manual

August 29, 2011 - Revised Manual

December 23, 2011 - Revised Manual

April 27, 2012 - Revised Manual

July 24, 2012 - Revised Manual

November 2, 2012 - Revised Manual

March 7, 2013 - Revised Manual

June 6, 2013 - Revised Manual

September 1, 2013 - Revised Manual

TABLE OF CONTENTS

FIGURE NO.	TITLE	PAGE NO.
SECTION 1 - FRAME		1-1
1-1	2WD FRONT AXLE AND STEERING INSTALLATIONS	1-2
1-2	4WD FRONT AXLE AND STEERING INSTALLATIONS	1-6
1-3	4WS REAR STEERING INSTALLATIONS	1-10
1-4	TIRE AND WHEEL DRIVE INSTALLATIONS	1-12
1-5	DRIVE HUB ASSEMBLY	1-16
1-6	DRIVE BRAKE ASSEMBLY	1-18
1-7	DRIVE MOTOR ASSEMBLY - SUNSTRAND (2WD)	1-22
1-8	DRIVE MOTOR ASSEMBLY - REXROTH (4WD)	1-24
1-9	TOW PACKAGE INSTALLATION (OPTIONAL)	1-26
SECTION 2 - TURNTABLE		2-1
2-1	CONTROL VALVES INSTALLATIONS	2-2
2-2	MAIN VALVE BLOCK ASSEMBLY	2-6
2-3	ACCESSORY VALVE ASSEMBLIES	2-10
2-4	SWING DRIVE, TURNTABLE BEARING & LOCK INSTALLATIONS	2-12
2-5	SWING HUB ASSEMBLY	2-14
2-6	SWING BRAKE ASSEMBLY	2-16
2-7	SWING MOTOR ASSEMBLY	2-20
2-8	DEUTZ ENGINE INSTALLATION - WITHOUT NOISE REDUCTION (PRIOR TO S/N 0300029930)	2-22
2-9	DEUTZ ENGINE INSTALLATION - WITH NOISE REDUCTION (S/N 0300028190 TO S/N 0300069000)	2-28
2-10	GENERATOR INSTALLATION (OPTIONAL - DEUTZ ENGINE MACHINES)	2-36
2-11	PISTON PUMP ASSEMBLY	2-40
2-12	GEAR PUMP ASSEMBLY	2-46
2-13	TANKS INSTALLATION	2-48
2-14	ROTARY COUPLING INSTALLATION	2-50
2-15	GROUND CONTROL BOX INSTALLATIONS (PRIOR TO S/N 0300064249)	2-52
2-16	GROUND CONTROL BOX INSTALLATIONS (ADE SYSTEM) (S/N 0300064249 TO S/N 0300069000)	2-56
2-17	ELECTRICAL OPTIONS INSTALLATION (TURNTABLE MOUNTED)	2-60
2-18	ENGINE TRAY JACK INSTALLATION (OPTIONAL)	2-64
2-19	HOODS INSTALLATIONS - WITHOUT NOISE REDUCTION	2-66
2-20	HOODS INSTALLATIONS - WITH NOISE REDUCTION	2-70
SECTION 3 - BOOM		3-1
3-1	BOOMS AND CYLINDERS INSTALLATION - 600A	3-2
3-2	BOOMS AND CYLINDERS INSTALLATION - 600AJ	3-6
3-3	TOWER BOOM ASSEMBLIES	3-12
3-4	MAIN BOOM ASSEMBLIES	3-16
3-5	ROTATOR ASSEMBLIES (FRONT ENTRY PLATFORM)	3-20
3-6	ROTATOR ASSEMBLIES (SIDE ENTRY PLATFORM)	3-24
3-7	VALVES AND SWITCHES INSTALLATION (BOOM MOUNTED)	3-26
3-8	BOOM WIPERS INSTALLATIONS (OPTIONAL)	3-30
SECTION 4 - PLATFORM		4-1
4-1	PLATFORM COMPONENTS INSTALLATION (FRONT ENTRY)	4-2
4-2	PLATFORM COMPONENTS INSTALLATION (SIDE ENTRY)	4-6
4-3	PLATFORM CONSOLE ASSEMBLY (PRIOR TO S/N 0300064249)	4-10

TABLE OF CONTENTS

FIGURE NO.	TITLE	PAGE NO.
4-4	PLATFORM CONSOLE ASSEMBLY (WITH ADE SYSTEM) (S/N 0300064249 TO S/N 0300069000)	4-16
4-5	OEM CONTROLLER ASSEMBLY (SWING AND LIFT) (PRIOR TO S/N 0300039749)	4-20
4-6	OEM CONTROLLER ASSEMBLY (SWING AND LIFT) (S/N 0300039749 TO S/N 0300064249)	4-24
4-7	OEM CONTROLLER ASSEMBLY (SWING AND LIFT) (WITH ADE SYSTEM) (S/N 0300064249 TO S/N 0300069000)	4-26
4-8	OEM CONTROLLER ASSEMBLY (DRIVE/STEER) (PRIOR TO S/N 0300039749)	4-30
4-9	OEM CONTROLLER ASSEMBLY (DRIVE/STEER) (S/N 0300039749 TO S/N 0300064249)	4-34
4-10	OEM CONTROLLER ASSEMBLY (DRIVE/STEER) (WITH ADE SYSTEM) (S/N 0300064249 TO S/N 0300069000)	4-36
4-11	SOFT TOUCH SYSTEM INSTALLATION (OPTIONAL)	4-40
4-12	LOAD SENSING SYSTEM INSTALLATION (FRONT ENTRY PLATFORM)	4-44
 SECTION 5 - CYLINDER		 5-1
5-1	AXLE LOCKOUT CYLINDER ASSEMBLY	5-2
5-2	PLATFORM LEVEL CYLINDER ASSEMBLIES (PRIOR TO S/N 0300024714)	5-4
5-3	PLATFORM LEVEL CYLINDER ASSEMBLIES (S/N 0300024714 TO S/N 0300069000)	5-8
5-4	LEVEL (UPRIGHT) CYLINDER ASSEMBLY	5-12
5-5	LIFT (ARTICULATING JIB) CYLINDER ASSEMBLY	5-14
5-6	LIFT (MAIN BOOM) CYLINDER ASSEMBLY	5-16
5-7	LIFT (TOWER BOOM) CYLINDER ASSEMBLY	5-18
5-8	MASTER CYLINDER ASSEMBLIES	5-20
5-9	STEER CYLINDER ASSEMBLIES	5-24
5-10	TELESCOPE (MAIN BOOM) CYLINDER ASSEMBLIES	5-26
5-11	TELESCOPE (TOWER BOOM) CYLINDER ASSEMBLY	5-28
5-12	CYLINDER BELLOWS INSTALLATION (OPTIONAL)	5-30
 SECTION 6 - HYDRAULIC		 6-1
6-1	DRIVE HYDRAULIC DIAGRAM - 2WD/2WS	6-2
6-2	DRIVE HYDRAULIC DIAGRAM - 4WD/2WS	6-4
6-3	HYDRAULIC DIAGRAM - OSCILLATING AXLE	6-8
6-4	HYDRAULIC DIAGRAM - STANDARD	6-10
6-5	HYDRAULIC DIAGRAM LIST	6-14
 SECTION 7 - ELECTRICAL		 7-1
7-1	ELECTRICAL DIAGRAM LIST	7-2
7-2	ELECTRICAL SCHEMATIC - CE SPEC MACHINES PRIOR TO S/N 0300035129 WITH COLORED WIRING	7-6
7-3	ELECTRICAL SCHEMATIC - CE SPEC MACHINES S/N 0300035129 TO S/N 0300069000 WITH NUMBERED COLORED WIRING	7-10
7-4	ELECTRICAL SCHEMATIC - AUSTRALIAN MACHINES PRIOR TO S/N 0300035129 WITH COLORED WIRING	7-14
7-5	ELECTRICAL SCHEMATIC - AUSTRALIAN MACHINES S/N 0300035129 TO S/N 0300069000 WITH NUMBERED COLORED WIRING	7-18
7-6	ELECTRICAL SCHEMATIC - DIESEL/GAS MACHINES (WITH ADE SYSTEM) (S/N 0300064249 TO S/N 0300069000)	7-22
7-7	HARNES COMPONENTS INSTALLATION (PRIOR TO S/N 0300064249)	7-26

TABLE OF CONTENTS

FIGURE NO.	TITLE	PAGE NO.
7-8	HARNES COMPONENTS INSTALLATION (WITH ADE SYSTEM) (S/N 0300064249 TO S/N 0300064270)	7-36
7-9	HARNES COMPONENTS INSTALLATION (WITH ADE SYSTEM) (S/N 0300064270 TO S/N 0300069000)	7-44
SECTION 8 - DECALS		8-1
8-1	DECALS INSTALLATION	8-2
SECTION 9 - RECOMMENDED SERVICE PARTS STOCK		9-1
SECTION 10 - SPECIAL OPTIONS		10-1
SECTION 11 - PARTS NUMBER INDEX		11-1

TABLE OF CONTENTS

FIGURE NO.

TITLE

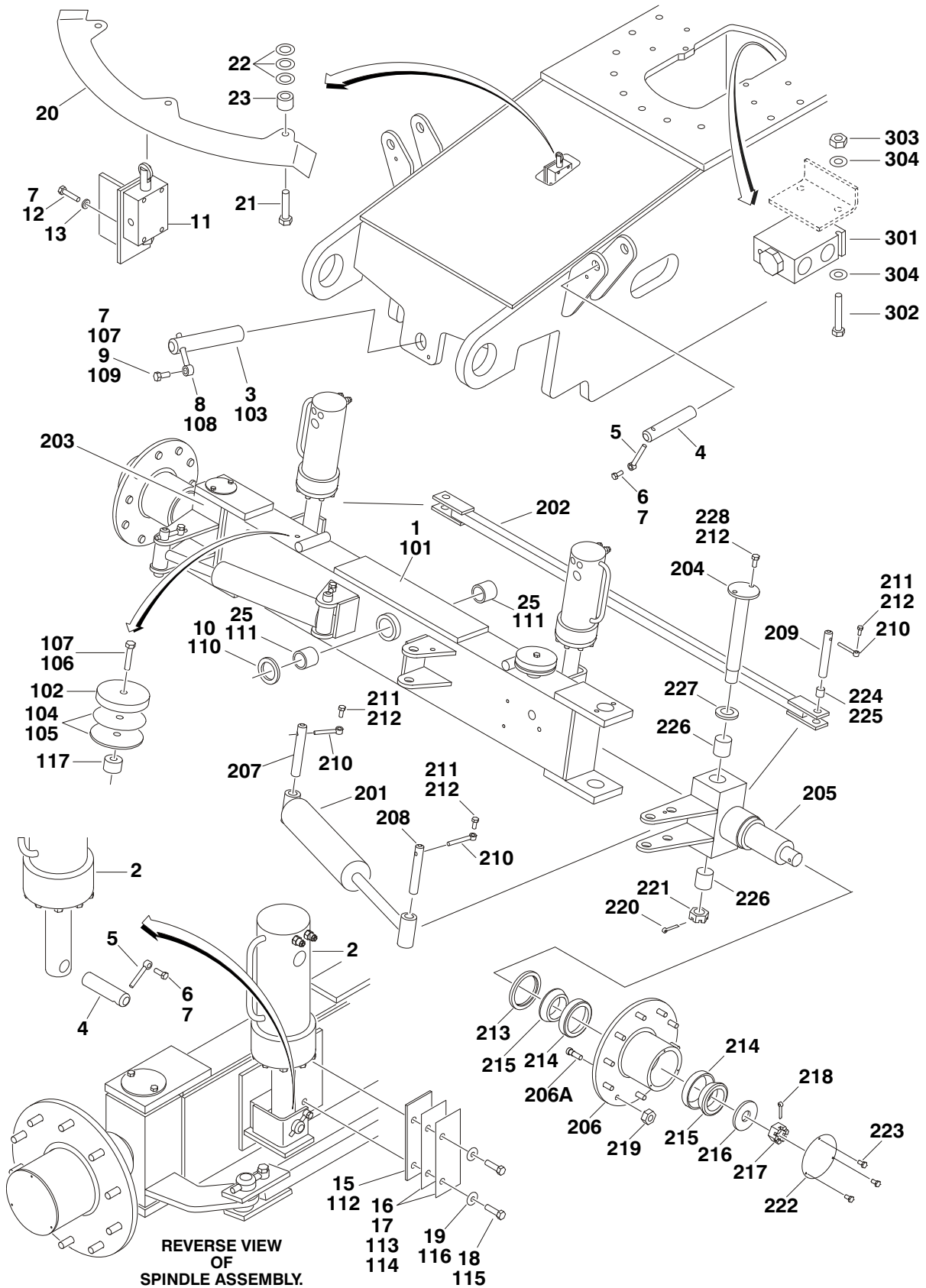
PAGE NO.

SECTION 1 FRAME

TABLE OF CONTENTS		
FIGURE	DESCRIPTION	PAGE
1-1	2WD FRONT AXLE AND STEERING INSTALLATIONS	1-2
1-2	4WD FRONT AXLE AND STEERING INSTALLATIONS	1-6
1-3	4WS REAR STEERING INSTALLATIONS	1-10
1-4	TIRE AND WHEEL DRIVE INSTALLATIONS	1-12
1-5	DRIVE HUB ASSEMBLY	1-16
1-6	DRIVE BRAKE ASSEMBLY	1-18
1-7	DRIVE MOTOR ASSEMBLY - SUNSTRAND (2WD)	1-22
1-8	DRIVE MOTOR ASSEMBLY - REXROTH (4WD)	1-24
1-9	TOW PACKAGE INSTALLATION (OPTIONAL)	1-26

SECTION 1 FRAME

FIGURE 1-1. 2WD FRONT AXLE AND STEERING INSTALLATIONS



SECTION 1 FRAME

FIGURE 1-1. 2WD FRONT AXLE AND STEERING INSTALLATIONS

FIG & ITEM #	PART NUMBER	DESCRIPTION	QTY.	REV.
		AXLE INSTALLATIONS - OSCILLATING	Ref.	
	0255404	8FT/2.4m Wide Machines (Prior to S/N 0300041868)	Ref.	7
	0256398	8FT/2.4m Wide Machines (S/N 0300041868 to S/N 0300069000)	Ref.	3
	0255418	7FT/2.1m Wide Machines (Prior to S/N 0300041868)	Ref.	6
	0256397	7FT/2.1m Wide Machines (S/N 0300041868 to S/N 0300069000)	Ref.	4
1		Axle Weldment Options:	1	
	4844929	8 ft/2.4m Wide Machine		
	4844960	7 ft/2.1m Wide Machine		
2	1683280	Lockout Cylinder Assembly (See Section 5 for Breakdown)	2	
3		Pin, Pivot Options:	1	
	Use 3422592	Prior to S/N 0300041868 (was p/n 3422431)		
	3422592	S/N 0300041868 to S/N 0300069000		
4	3422426	Pin, Cylinder	4	
5	3841143	Keeper, Pin	4	
6	0641608	Bolt 3/8in-16NC x 1in	4	
7	0100011	Compound, Locking	A/R	
8	3841258	Keeper, Pin	1	
9	0642012	Bolt 5/8in-11NC x 1-1/2in	1	
10	4740158	Thrustwasher	1	
11	4640871	Valve, Cam	1	
	7012693	Seal Kit - 4640871 Valve	1	
	7002840	Tool, Pin Removal	1	
12	0641414	Bolt 1/4in-20NC x 1-7/8in	4	
13	4711400	Flatwasher 1/4in Thin	8	
14	Not Used			
15	3538047	Plate, Wear	2	
16	4070878	Shim, (.06)	4	
17	4070879	Shim, (.12)	4	
18	0641612	Bolt 3/8in-16NC x 1-1/2in	4	
19	4711600	Flatwasher 3/8in Thin	4	
20	1100098	Cam, Lockout	1	
21	0641820	Bolt 1/2in-13NC x 2in	3	
22	4751800	Flatwasher 1/2in Regular	9	
23	4566832	Tube, Spacer	3	
24	Not Used			
25	0961950	Bushing	2	

SECTION 1 FRAME

FIGURE 1-1. 2WD FRONT AXLE AND STEERING INSTALLATIONS (CONTINUED)

FIG & ITEM #	PART NUMBER	DESCRIPTION	QTY.	REV.
		AXLE INSTALLATIONS - FIXED	Ref.	
	0255416	8FT/2.4m Wide Machines (Prior to S/N 0300041868)	Ref.	3
	0256623	8FT/2.4m Wide Machines (S/N 0300041868 to S/N 0300069000)	Ref.	3
	0255419	7FT/2.1m Wide Machines (Prior to S/N 0300041868)	Ref.	3
	0256624	7FT/2.1m Wide Machines (S/N 0300041868 to S/N 0300069000)	Ref.	2
101		Axle Weldment Options:	1	
	4844929	8ft/2.4 Wide Machines		
	4844960	7ft/2.1 Wide Machines		
102	3539877	Plate, Stop	2	
103		Pin, Pivot Options:	1	
	Use 3422592	Prior to S/N 0300041868 (was p/n 3422325)		
	3422592	S/N 0300041868 to S/N 0300069000		
104	4070944	Shim (.06)	A/R	
105	4070945	Shim (.25)	A/R	
106	0641826	Bolt 1/2in-13NC x 3-1/4in	4	
107	0100019	Compound, Locking	A/R	
108	3841258	Keeper, Pin	1	
109	0642012	Bolt 5/8in-11NC x 1-1/2in	1	
110	4740158	Thrustwasher	1	
111	0961950	Bushing, Garmax	2	
112	3538047	Plate, Wear	2	
113	4070878	Shim (.06)	A/R	
114	4070879	Shim (.12)	A/R	
115	0641612	Bolt 3/8in-16NC x 1-1/2in	4	
116	4711600	Flatwasher 3/8in Thin	4	
117	3539879	Plate, Stop	2	
		STEERING INSTALLATIONS	Ref.	
	0255405	8FT/2.4m Wide Machines (Prior to S/N 0300041868)	Ref.	4
	0256388	8FT/2.4m Wide Machines (S/N 0300041868 to S/N 0300069000)	Ref.	4
	0255406	7FT/2.1m Wide Machines (Prior to S/N 0300041868)	Ref.	3
	0256391	7FT/2.1m Wide Machines (S/N 0300041868 to S/N 0300069000)	Ref.	4
201		Steer Cylinder Assembly Options: (See Section 5 for Breakdown)	2	
	1683208	8ft/2.4 Wide Machines		
	1683304	7ft/2.1 Wide Machines		
202		Tierod Options:	1	
	3841262	8ft/2.4 Wide Machines		
	3841263	7ft/2.1 Wide Machines		
203		Spindle Options: (Right Side)	1	
	Use 4130341	Prior to S/N 0300041868 (was p/n 4130325)		
	4130341	S/N 0300041868 to S/N 0300069000		
204	3422427	Kingpin	2	

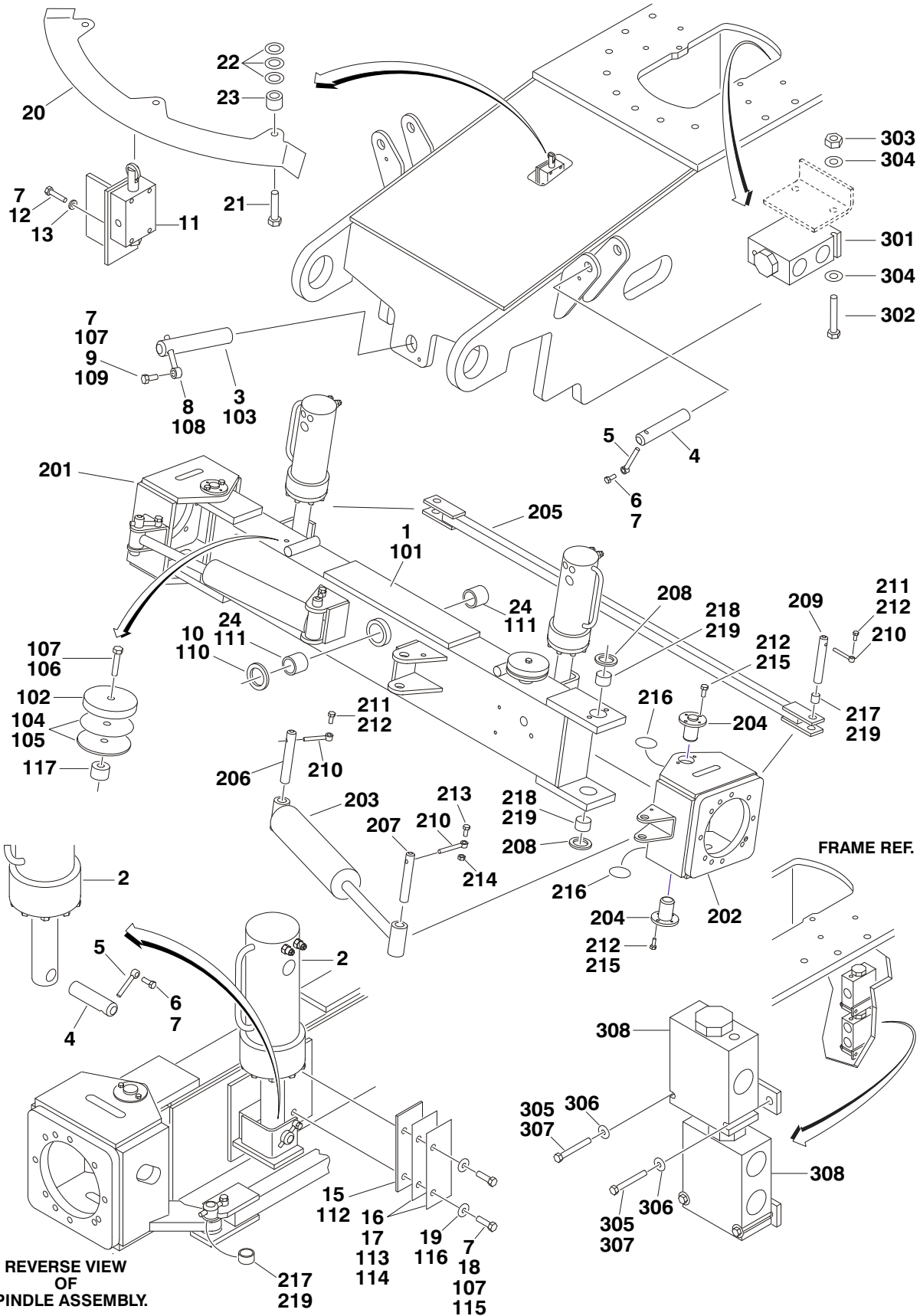
SECTION 1 FRAME

FIGURE 1-1. 2WD FRONT AXLE AND STEERING INSTALLATIONS (CONTINUED)

FIG & ITEM #	PART NUMBER	DESCRIPTION	QTY.	REV.
205	Use 4130340	Spindle Options: (Left Side)	1	
	4130340	Prior to S/N 0300041868 (was p/n 4130326)		
		S/N 0300041868 to S/N 0300069000		
206	2780212	Hub	2	
206A	0630490	Stud, Wheel (8 Per Hub)	16	
207	3422426	Pin	2	
208	3422429	Pin	2	
209	3422430	Pin	2	
210	3841143	Keeper	6	
211	0641608	Bolt 3/8in-16NC x 1in	6	
212	0100011	Compound, Locking	A/R	
213	3960098	Seal	2	
214	0440019	Cone, Bearing	4	
215	0440018	Cup, Bearing	4	
216	4740016	Washer, Hardened	2	
217	3323403	Nut, Slotted 1-1/2in-12NF	2	
218	3450810	Pin, Cotter 1/4in x 2 1/2in	2	
219	3300106	Lugnut 5/8in	16	
220	3451012	Pin, Cotter 1/4in x 3in	2	
221	3313403	Nut, Slotted 1-1/2in-6NC	2	
222	1120460	Cap, Hub	2	
223	0641404	Bolt 1/4in-20NC x 1/2in	6	
224	0962005	Bushing	2	
225	0100063	Loctite #RC609	A/R	
226		Bushing Options:	4	
	0961948	Bushing, Garmax (Prior to S/N 0300062140)		
	0962272	Bushing, Composite (S/N 0300062140 to S/N 0300069000)		
227	0440161	Thrustwasher	2	
228	0681608	Bolt 3/8in-16NC x 1in (Grade 8)	4	
	2890245	Wheel Bearing Retention Washer Replacement Kit (Includes Items 216 & 218)	1	
		VALVE INSTALLATIONS	Ref.	
	0255413	Prior to S/N 0300056718	Ref.	5/C
	0270123	S/N 0300056718 to S/N 0300069000	Ref.	3/B
301	4640923	Valve, Flow Divider	1	
	7012442	Cartridge	1	
	7012980	Seal Kit - 7012442 Cartridge	1	
	7012993	Orifice	1	
302	0641522	Bolt 5/16in-18NC x 2-3/4in	2	
303	3311505	Locknut 5/16in-18NC	2	
304	4751500	Flatwasher 5/16in Regular	4	
305	4060808	Shield, Flex Trim (Not Shown)	3.5ft/1.1m	

SECTION 1 FRAME

FIGURE 1-2. 4WD FRONT AXLE AND STEERING INSTALLATIONS



SECTION 1 FRAME

SECTION 1 FRAME

FIGURE 1-2. 4WD FRONT AXLE AND STEERING INSTALLATIONS

FIG & ITEM #	PART NUMBER	DESCRIPTION	QTY.	REV.
		AXLE INSTALLATIONS - OSCILLATING	Ref.	
	0255415	Prior to S/N 0300041868	Ref.	4
	0256392	S/N 0300041868 to S/N 0300069000	Ref.	3
1	4845041	Axle Weldment	1	
2	1683280	Lockout Cylinder Assembly (See Section 5 for Breakdown)	2	
3		Pin, Pivot Options:	1	
	Use 3422592	Prior to S/N 0300041868 (was p/n 3422431)		
	3422592	S/N 0300041868 to S/N 0300069000		
4	3422426	Pin, Cylinder	4	
5	3841143	Keeper, Pin	4	
6	0641608	Bolt 3/8in-16NC x 1in	4	
7	0100011	Compound, Locking	A/R	
8	3841258	Keeper	1	
9	0642012	Bolt 5/8in-11NC x 1-1/2in	1	
10	4740158	Thrustwasher	1	
11	4640871	Valve, Cam	1	
	7012693	Seal Kit - 4640871 Valve	1	
	7002840	Tool, Pin Removal	1	
12	0641414	Bolt 1/4in-20NC x 1 3/4in	4	
13	4711400	Flatwasher 1/4in Thin	4	
14	Not Used			
15	3538047	Plate, Axle Wear	2	
16	4070878	Shim (.06)	A/R	
17	4070879	Shim (.12)	A/R	
18	0641608	Bolt 3/8in-16NC x 1in	4	
19	4711600	Flatwasher 3/8in Thin	4	
20	1100098	Cam, Lockout	1	
21	0641816	Bolt 1/2in-13NC x 2in	3	
22	4751800	Flatwasher 1/2in Regular	A/R	
23	4566832	Spacer, Tube	3	
24	0961950	Bushing, Bronze	2	
		AXLE INSTALLATIONS - FIXED	Ref.	
	0255417	Prior to S/N 0300041868	Ref.	3
	0256625	S/N 0300041868 to S/N 0300069000	Ref.	3
101	4845041	Axle Weldment	1	
102	3539877	Plate, Stop	2	
103		Pin, Pivot Options:	1	
	Use 3422592	Prior to S/N 0300041868 (was p/n 3422431)		
	3422592	S/N 0300041868 to S/N 0300069000		
104	4070944	Shim (.06)	A/R	
105	4070945	Shim (.25)	A/R	
106	0641820	Bolt 1/2in-13NC x 2-1/2in	2	
107	0100019	Compound, Locking	A/R	
108	3841258	Keeper, Pin	1	

SECTION 1 FRAME

SECTION 1 FRAME

FIGURE 1-2. 4WD FRONT AXLE AND STEERING INSTALLATIONS (CONTINUED)

FIG & ITEM #	PART NUMBER	DESCRIPTION	QTY.	REV.
109	0642012	Bolt 5/8in-11NC x 1-1/2in	1	
110	4740158	Thrustwasher	1	
111	0961950	Bushing, Garmax	2	
112	3538047	Plate, Wear	2	
113	4070878	Shim (.06)	A/R	
114	4070879	Shim (.12)	A/R	
115	0641612	Bolt 3/8in-16NC x 1-1/2in	4	
116	4711600	Flatwasher 3/8in Thin	4	
117	3539879	Plate, Stop	2	
		STEERING INSTALLATIONS	Ref.	
	0255411	Prior to S/N 0300041868	Ref.	3
	0256399	S/N 0300041868 to S/N 0300069000	Ref.	4
201	4130330	Spindle - Right Side	1	
202	4130331	Spindle - Left Side	1	
203	1683208	Steer Cylinder Assembly (See Section 5 for Breakdown)	2	
204		Pin, Pivot Options:	1	
	Use 3422802	Prior to S/N 0300041868 (was p/n 3422492)		
	Use 3422802	S/N 0300041868 to S/N 0300043445 (was p/n 3422590)		
	3422802	S/N 0300043445 to S/N 0300069000		
205	3841285	Tie-Rod	1	
206	3422426	Pin, Steer Cylinder	2	
207	3422429	Pin, Steer Cylinder	2	
208	0440161	Thrustwasher	4	
209	3422430	Pin, Tie-Rod	2	
210	3841143	Keeper, Pin	6	
211	0641608	Bolt 3/8in-16NC x 1in	4	
212	0100011	Compound, Locking	A/R	
213	0641610	Bolt 3/8in-16NC x 1-1/4in	2	
214	3311605	Locknut 3/8in-16NC	2	
215	0681608	Bolt 3/8in-16NC x 1in (Grade 8)	8	
216	1670752	Cover, Kingpin (Prior to S/N 0300043445 Only)	4	
217	0962005	Bushing, Bronze	2	
218		Bushing, Garmax Options:	4	
	Use 0962272	Prior to S/N 0300044952 (was p/n 0961948)		
	0962272	S/N 0300044952 to S/N 0300069000		
219	0100063	Loctite #RC609	A/R	
		VALVE INSTALLATIONS	Ref.	
	0255414	Prior to S/N 0300056718	Ref.	6/C
	0270124	S/N 0300056718 to S/N 0300069000	Ref.	3/D
301	4640923	Valve, Flow Divider	1	
	7012992	Cartridge	1	
	7012980	Seal Kit- 7012992 Cartridge	1	
	7012993	Orifice	1	
302	0641522	Bolt 5/16in-18NC x 2-3/4in	2	
303	3311505	Locknut 5/16in-18NC	2	

SECTION 1 FRAME

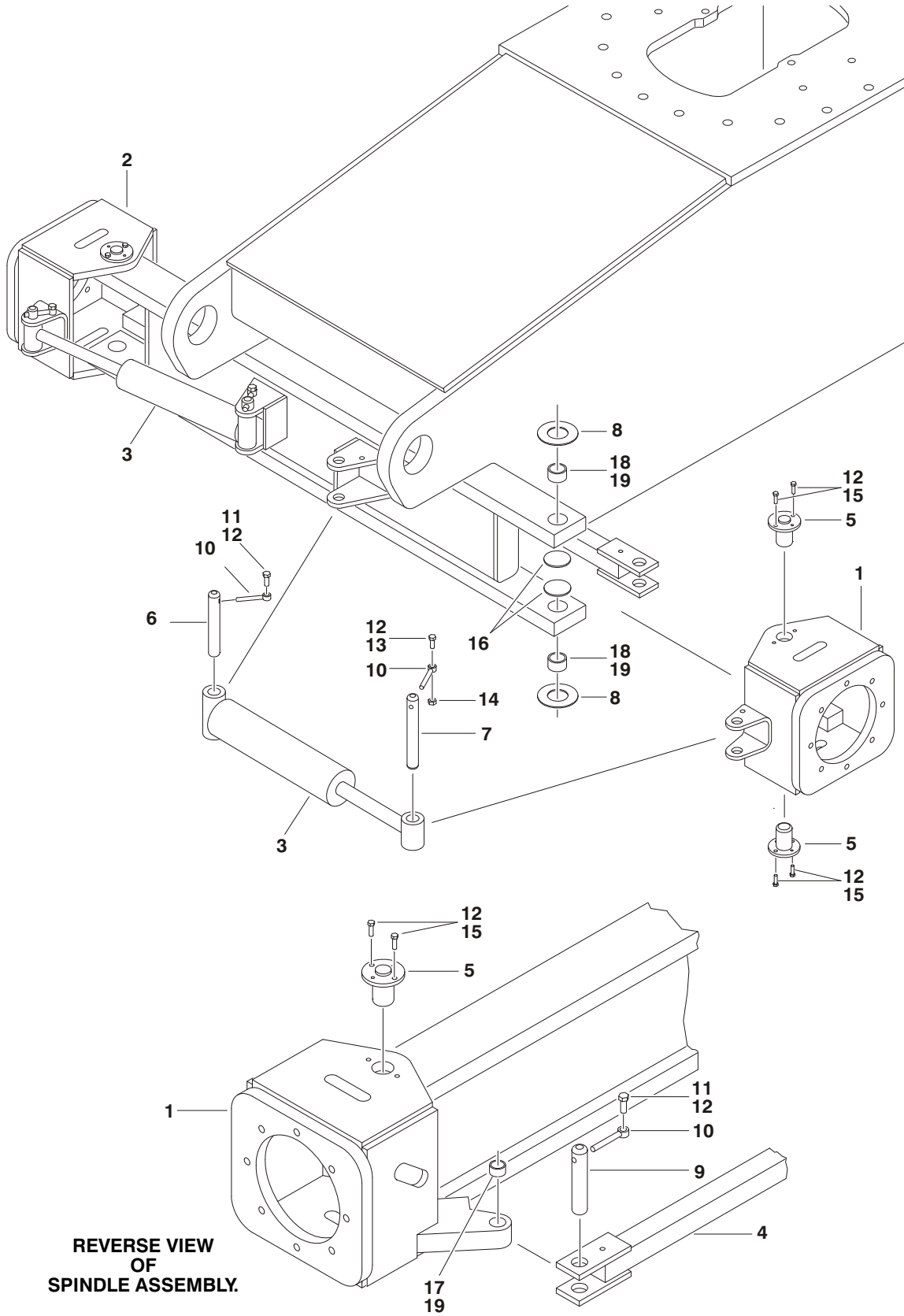
FIGURE 1-2. 4WD FRONT AXLE AND STEERING INSTALLATIONS (CONTINUED)

FIG & ITEM #	PART NUMBER	DESCRIPTION	QTY.	REV.
304	4751500	Flatwasher 5/16in Regular	4	
305	0641520	Bolt 5/16in-18NC x 2-1/2in	4	
306	4751500	Flatwasher 5/16in Regular	4	
307	0100011	Compound, Locking (Prior to S/N 68274)	A/R	
308	4640937	Valve, Flow Divider	2	
	7012978	Cartridge	1	
	7012980	Seal Kit- 7012978 Cartridge	1	
	7012994	Orifice	1	
309	4060808	Shield, Flex Trim	3/5ft/1.1m	

SECTION 1 FRAME

SECTION 1 FRAME

FIGURE 1-3. 4WS REAR STEERING INSTALLATIONS



REVERSE VIEW OF SPINDLE ASSEMBLY.

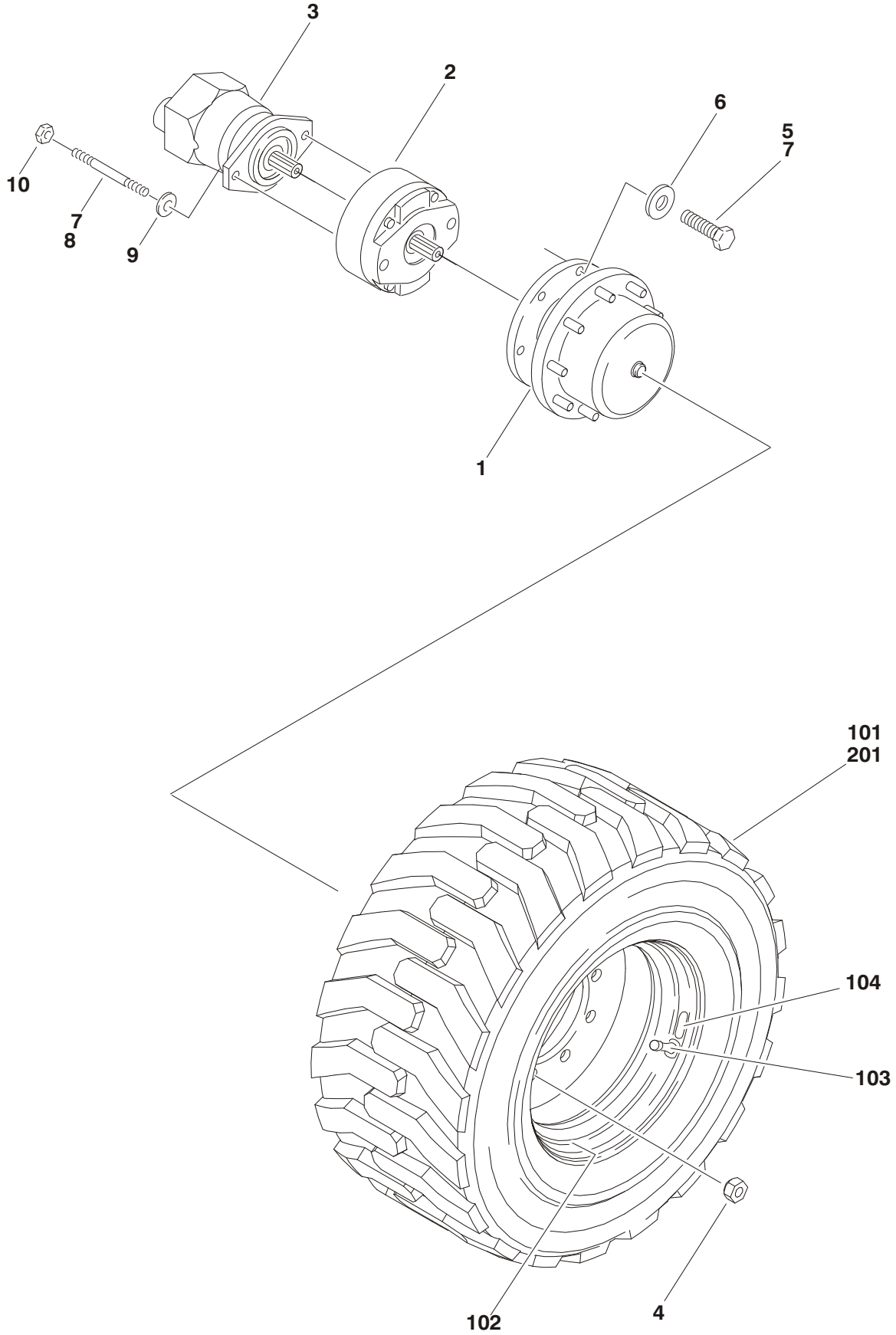
SECTION 1 FRAME

FIGURE 1-3. 4WS REAR STEERING INSTALLATIONS

FIG & ITEM #	PART NUMBER	DESCRIPTION	QTY.	REV.
		4WS REAR STEERING INSTALLATIONS OPTIONS:	Ref.	
	0256716	2WD/4WS 8FT Wide/2.4m Machines (Prior to S/N 0300041868)	Ref.	2
	0256717	2WD/4WS 8FT Wide/2.4m Machines (S/N 0300041868 to S/N 0300069000)	Ref.	2
	0255854	2WD/4WS 7FT Wide/2.1m Machines (Prior to S/N 0300041868)	Ref.	2
	0256523	2WD/4WS 7FT Wide/2.1m Machines (S/N 0300041868 to S/N 0300069000)	Ref.	2
	0255412	4WD/4WS Machines (Prior to S/N 0300041868)	Ref.	2
	0256715	4WD/4WS Machines (S/N 0300041868 to S/N 0300069000)	Ref.	2
		REAR STEERING INSTALLATION	Ref.	
	0255411	8 FT/2.4m Width Frame (Prior to S/N 0300041868)	Ref.	4
	0256399	8 FT/2.4m Width Frame (S/N 0300041868 to S/N 0300069000)	Ref.	4
	0255855	7 FT/2.1m Width Frame (Prior to S/N 0300041868)	Ref.	3
	0256400	7 FT/2.1m Width Frame (S/N 0300041868 to S/N 0300069000)	Ref.	4
1	4130331	Spindle - Right Side	1	
2	4130330	Spindle - Left Side	1	
3		Steer Cylinder Assembly (See Section 5 for Breakdown)	2	
	1683208	8 ft/2.4m Wide Machine		
	1683304	7 ft/2.1m Wide Machine		
4		Tie-Rod Options:	1	
	3841285	8 ft/2.4m Wide Machine		
	3841291	7 ft/2.1m Wide Machine		
5		Kingpin Options:	4	
	Use 3422802	Prior to S/N 0300041868 (was p/n 3422492)		
	Use 3422802	S/N 0300041868 to S/N 0300043445 (was p/n 3422590)		
	3422802	S/N 0300043445 to S/N 0300069000		
6	3422426	Pin, Steer Cylinder	2	
7	3422429	Pin, Steer Cylinder	2	
8	0440161	Thrustwasher	4	
9	3422430	Pin, Tie-Rod	2	
10	3841143	Keeper, Pin	6	
11	0641608	Bolt 3/8in-16NC x 1in	4	
12	0100011	Compound, Locking	A/R	
13	0641610	Bolt 3/8in-16NC x 1-1/4in	2	
14	3311605	Locknut 3/8in-16NC	2	
15	0681608	Bolt 3/8in-16NC x 1in (Grade 8)	8	
16	1670752	Cover, Kingpin (Prior to S/N 0300043445 Only)	4	
17	0962005	Bushing, Bronze	2	
18		Bushing, Garmax Options:	4	
	Use 0962272	Prior to S/N 0300044952 (was p/n 0961948)		
	0962272	S/N 0300044952 to S/N 0300069000		
19	0100063	Loctite #RC609	A/R	

SECTION 1 FRAME

FIGURE 1-4. TIRE AND WHEEL DRIVE INSTALLATIONS



SECTION 1 FRAME

FIGURE 1-4. TIRE AND WHEEL DRIVE INSTALLATIONS

FIG & ITEM #	PART NUMBER	DESCRIPTION	QTY.	REV.
		WHEEL DRIVE INSTALLATIONS	Ref.	
	0255413	2WD (Prior to S/N 0300056718)	Ref.	5/C
	0270123	2WD (S/N 0300056718 to S/N 0300069000)	Ref.	1/A
	0255414	4WD (Prior to S/N 0300056718)	Ref.	6/C
	0270124	4WD (S/N 0300056718 to S/N 0300069000)	Ref.	3/D
1	2780213	Drive Hub Assembly (1 Per Drive Wheel) (See Figure 1-5 for Breakdown)	A/R	
2		Drive Brake Assembly (1 Per Drive Wheel) (See Figure 1-6 for Breakdown)	A/R	
	0920084	Prior to S/N 0300033476		
	0920110	S/N 0300033476 to S/N 0300056718		
	Use 0920119	S/N 0300056718 to S/N 0300069000 (was p/n 0920117)		
3		Drive Motor Assembly (1 Per Wheel Drive) Options:	A/R	
	3160205	2WD (See Figure 1-7 for Breakdown)	2	
	3160204	4WD (See Figure 1-8 for Breakdown)	4	
4	3300106	Lugnut (8 Per Wheel)	A/R	
5	0682016	Bolt 5/8in-11NC x 2in (8 Per Drive Wheel) (Grade 8)	A/R	
6	4892000	Flatwasher 5/8in Hardened(8 Per Drive Wheel)	A/R	
7	0100011	Compound, Locking (Prior to S/N 0300068274)	A/R	
8		Stud (2 Per Drive Wheel) Options:	A/R	
	4300120	Stud 1/2in-13NC x 5-1/2in (Prior to S/N 0300056718)		
	4300097	Stud 1/2in-13NC x 5-1/8in (S/N 0300056718 to S/N 0300069000)		
9	4891800	Flatwasher 1/2in Hardened (2 Per Drive Wheel)	A/R	
10	3311801	Nut 1/2in-13NC (2 Per Wheel Drive)	A/R	
		8 FT/2.4M WIDTH MACHINES TIRE AND WHEEL INSTALLATION OPTIONS:	Ref.	
	0255420	TIRE AND WHEEL INSTALLATION - PNEUMATIC	Ref.	-
	0271612	TIRE AND WHEEL INSTALLATION - PNEUMATIC	Ref.	1
	0255421	TIRE AND WHEEL INSTALLATION - FOAM FILLED	Ref.	-
	0271613	TIRE AND WHEEL INSTALLATION - FOAM FILLED	Ref.	1
		Note: Assemblies may require ballast/foam filling to manufacturer's specifications prior to installing on a machine. Refer to Operation & Safety or Service & Maintenance Manuals. Purchase individual tire and/or rim only if able to foam fill tire & wheel assembly, otherwise, purchase complete assembly.	Ref.	
	0255513	Tire and Wheel Assembly - Galaxy Pneumatic (Right Side)	2	1/A
	0271609	Tire and Wheel Assembly - OTR Pneumatic (Right Side)	2	A
	0255605	Tire and Wheel Assembly - Galaxy Foam-Filled (Right Side)	2	-/-
	0271611	Tire and Wheel Assembly - OTR Foam-Filled (Right Side)	2	A
	0255514	Tire and Wheel Assembly - Galaxy Pneumatic (Left Side)	2	A
	0271608	Tire and Wheel Assembly - OTR Pneumatic (Left Side)	2	1/A
	0255606	Tire and Wheel Assembly - Galaxy Foam-Filled (Left Side)	2	-/-
	0271610	Tire and Wheel Assembly - OTR Foam-Filled (Left Side)	2	A

SECTION 1 FRAME

SECTION 1 FRAME

FIGURE 1-4. TIRE AND WHEEL DRIVE INSTALLATIONS

FIG & ITEM #	PART NUMBER	DESCRIPTION	QTY.	REV.
101	4520171	Tire 14 x 17.5 Options: Galaxy (1 Per Assembly)	A/R	
	4520259	OTR (1 Per Assembly)		
102	4860158	Rim, Wheel (1 Per Assembly)	A/R	
103	4640113	Valve, Air	A/R	
104	1702740	Decal - Tire Pressure	A/R	
		8FT/2.4M AND 7FT/2.1M WIDTH FRAME MACHINES TIRE AND WHEEL INSTALLATION OPTIONS:	Ref.	
	0255422	TIRE AND WHEEL INSTALLATION - AIR-BOSS	Ref.	—
	0258764	TIRE AND WHEEL INSTALLATION - AIR-BOSS (NON-MARKING) (S/N 0300039220 TO S/N 0300069000)	Ref.	2
201		Tire and Wheel Assembly - Right Side Options:	2	
	4520172	Air-Boss		
	4520210	Air-Boss (Non-Marking)		
		Tire and Wheel Assembly - Left Side Options:	2	
	4520173	Air-Boss		
	4520211	Air-Boss (Non-Marking)		
		Tire Repair Section (20 Per Assembly) Options:	80	
	7016206	Air-Boss		
	7020135	Air-Boss (Non-Marking)		
	0255397	WHEEL COVER INSTALLATION (OPTIONAL) (NOT SHOWN)	Ref.	2/A
301	1670777	Cover, Wheel	4	
302	0641542	Bolt 5/16in-18NC x 5-1/4in	16	
303	0100011	Compound, Locking	A/R	

SECTION 1 FRAME

FIGURE 1-4. TIRE AND WHEEL DRIVE INSTALLATIONS

FIG & ITEM #	PART NUMBER	DESCRIPTION	QTY.	REV.

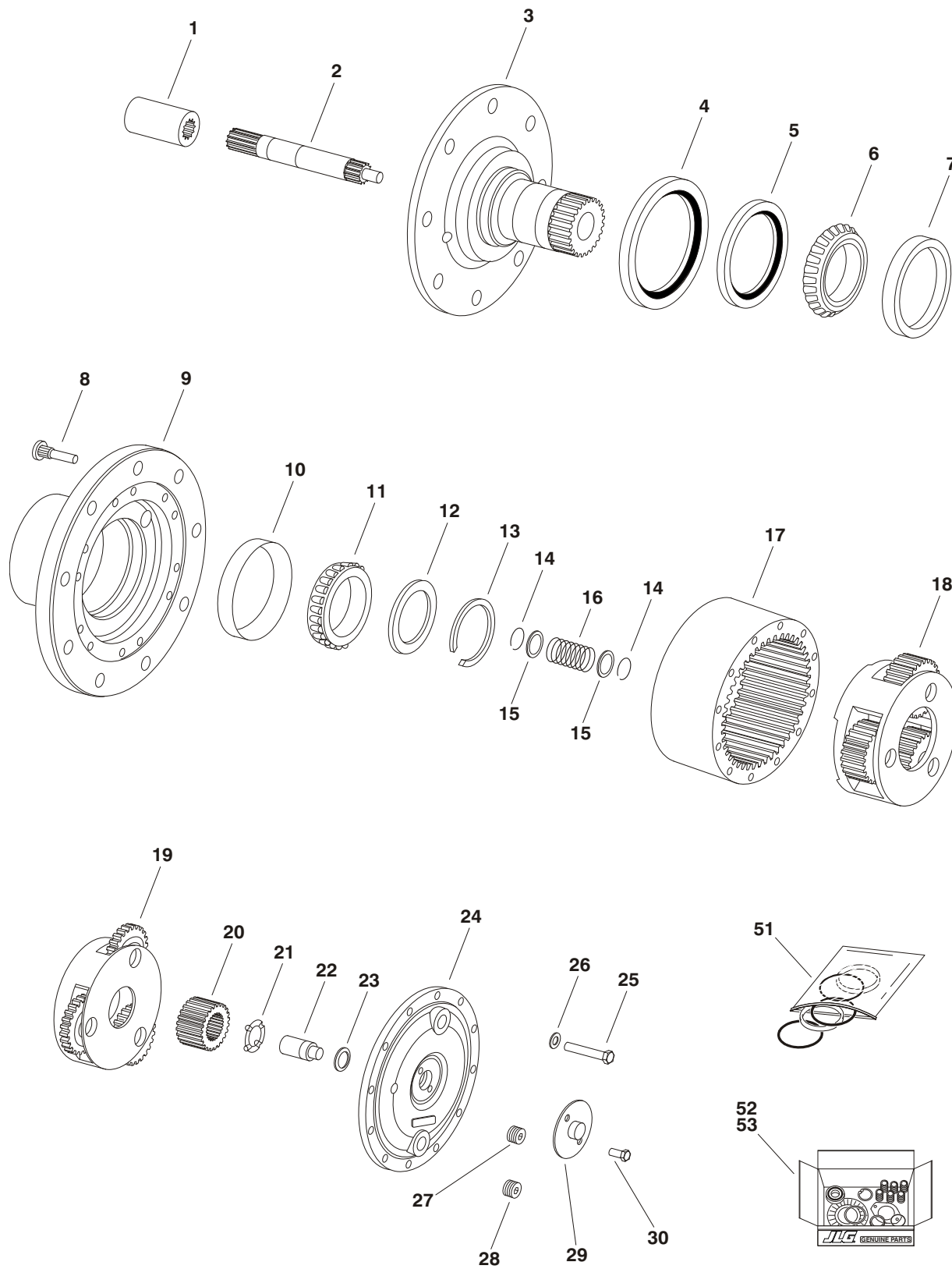
**S
E
C
T
I
O
N

1

F
R
A
M
E**

SECTION 1 FRAME

FIGURE 1-5. DRIVE HUB ASSEMBLY



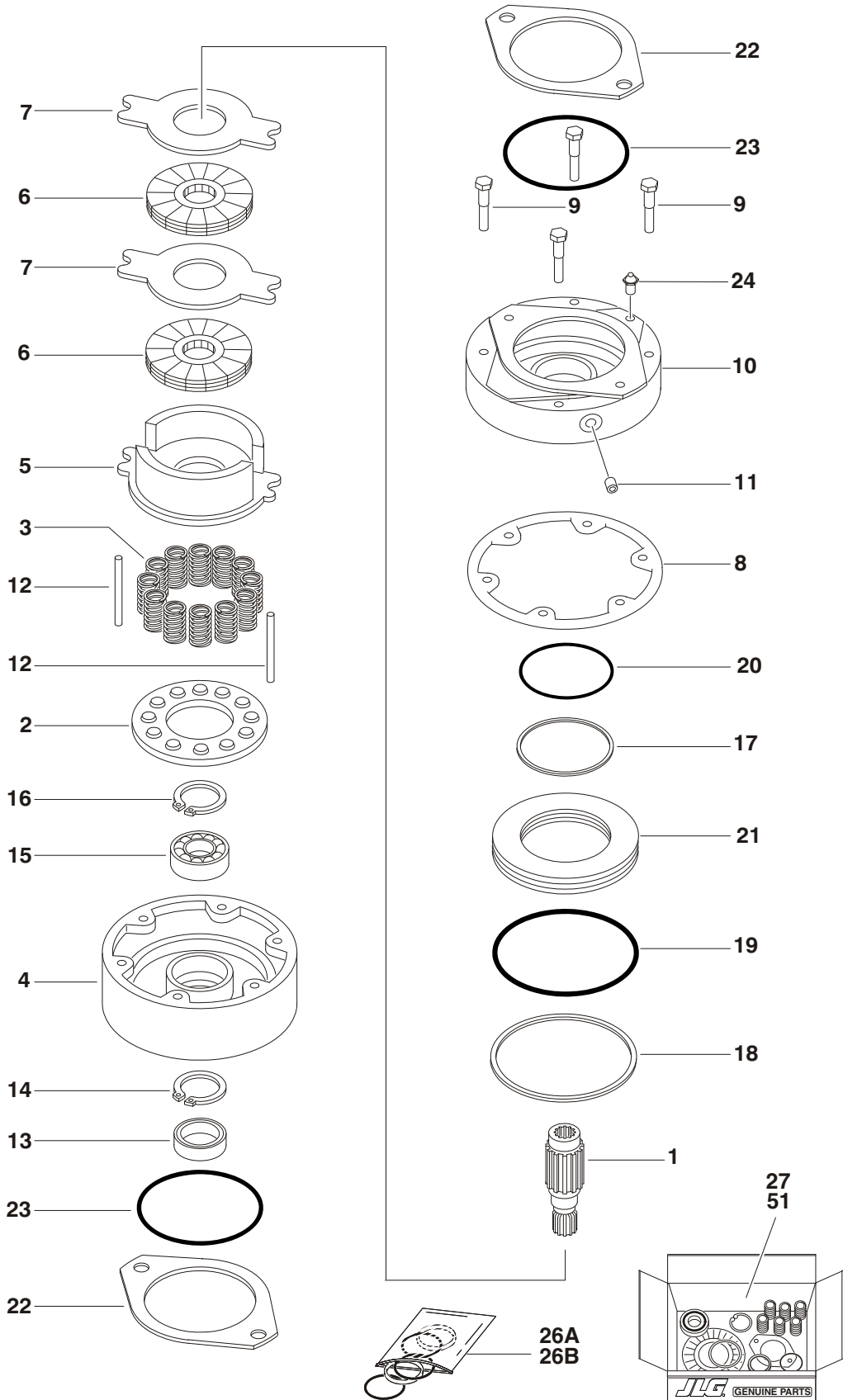
SECTION 1 FRAME

FIGURE 1-5. DRIVE HUB ASSEMBLY

FIG & ITEM #	PART NUMBER	DESCRIPTION	QTY.	REV.
	2780213	DRIVE HUB ASSEMBLY	Ref.	B
1	7014700	Coupling - 13 Teeth	1	
2	7014701	Shaft, Input - 13 Teeth	1	
3		Spindle Options:	1	
	7014702	With Threaded Holes		
	7014731	Without Threaded Holes		
4	7014728	Seal, Boot	1	
5	See Note	Seal, Oil (Note: Use Item 51 or 52)	1	
6	Use 7014729	Cone, Bearing	1	
7	Use 7014729	Cup, Bearing	1	
8	7014727	Bolt, Wheel 5/8in	8	
9	7014706	Hub	1	
10	Use 7014729	Cup, Bearing	1	
11	Use 7014729	Cone, Bearing	1	
12	7001711	Thrustwasher	1	
13	See Note	Retaining Ring Kit (Note: Use Item 51, 52 or 53)	1	
14	7014711	Ring, Retaining	2	
15	7014712	Thrustwasher	2	
16	7014710	Spring	1	
17	7014713	Gear, Ring	1	
18	7014714	Secondary Carrier Assembly	1	
19	7014715	Primary Carrier Assembly	1	
20	7014716	Gear, Sun - 15 Teeth	1	
21	7014722	Thrustwasher	1	
22	7014717	Plunger, Disengage	1	
23	7014718	O-Ring	1	
24	7014719	Cover, Hub	1	
25	7014721	Bolt	12	
26	7014720	Flatwasher	12	
27	7014725	Plug, Magnetic	1	
28	7014726	Plug, Pipe	1	
29	7014723	Cover, Disengage	1	
30	7014724	Bolt	2	
31 to 50	Not Used			
51	7014730	Seal Kit (Includes Items 5 & 13)	1	
52	7014729	Bearing & Seal Kit (Includes Items 5,6,7,10,11 & 13)	1	
53	7014709	Retaining Ring Kit (Includes Qty 6 Retaining Rings)	1	

SECTION 1 FRAME

FIGURE 1-6. DRIVE BRAKE ASSEMBLY



SECTION 1 FRAME

FIGURE 1-6. DRIVE BRAKE ASSEMBLY

FIG & ITEM #	PART NUMBER	DESCRIPTION	QTY.	REV.
		DRIVE BRAKE ASSEMBLY OPTIONS:	Ref.	
	0920084	Prior to S/N 0300033476	Ref.	A
	0920110	S/N 0300033476 to S/N 0300056536	Ref.	C
1	7011712	Shaft Options:	1	
2		Guide, Spring Options:	1	
	7011717	0920084 Brake (Prior to S/N 0300033476)		
	7018606	0920110 Brake (S/N 0300033476 to S/N 0300056536)		
3		Spring Options:	A/R	
	7007979	0920084 Brake (Inner) (Prior to S/N 0300033476)	6	
	7007980	0920084 Brake (Outer) (Prior to S/N 0300033476)	6	
	7007970	0920110 Brake (Red) (S/N 0300033476 to S/N 0300056536)	6	
	7018602	0920110 Brake (Blue) (S/N 0300033476 to S/N 0300056536)	3	
4		Housing Options:	1	
	7011713	0920084 Brake (Prior to S/N 0300033476)		
	7018605	0920110 Brake (S/N 0300033476 to S/N 0300056536)		
5		Return Plate & Separator Assembly Options:	A/R	
	See Note	Return, Plate - 0920084 Brake (Prior to S/N 0300033476) (Note: Use Item 27)	1	
	7011715	Separator Assy - 0920084 Brake (Prior to S/N 0300033476)	2	
	7011714	Pin	4	
	7007983	Separator	2	
	See Note	Return Plate & Separator - 0920110 Brake (S/N 0300033476 to S/N 0300056536) (Note: Use Item 27)	1	
6	See Note	Rotor (Note: Use Item 27)	2	
7	See Note	Stator (Note: Use Item 27)	2	
8	See Note	Seal, Case (Note: Use Item 26A, 26B or 27)	1	
9		Bolt, Washer Head Options:	4	
	7007985	0920084 Brake (Prior to S/N 0300033476)		
	7018607	0920110 Brake (S/N 0300033476 to S/N 0300056536)		
10	7007986	Cover	1	
11		Hardware Options:	1	
	7000796	Screw, Bleeder (Prior to S/N 0300033906)		
	7018609	Plug, Pipe (S/N 0300033906 to S/N 0300056536)		
12	7007987	Pin, Dowel	2	
13	See Note	Seal, Oil (Note: Use Item 26A or 26B)	1	
14	7011716	Ring, Retaining	1	
15	Use 2900768	Bearing	1	
16	7007977	Ring, Retaining	1	
17	Use 2900766	Ring, Back-Up	1	
18	Use 2900766	Ring, Back-Up	1	
19	Use 2900766	O-Ring	1	
20	Use 2900766	O-Ring	1	
21		Piston Options:	1	
	7007923	0920084 Brake (Prior to S/N 0300033476)		
	7018603	0920110 Brake (S/N 0300033476 to S/N 0300056536)		

SECTION 1 FRAME

SECTION 1 FRAME

FIGURE 1-6. DRIVE BRAKE ASSEMBLY

FIG & ITEM #	PART NUMBER	DESCRIPTION	QTY.	REV.
22	7007933	Gasket	2	
23	See Note	O-Ring (Note: Use Item 26A, 26B or 27)	2	
24	7007924	Plug, Pipe	1	
25	Not Used			
26		Seal Kit Options:	1	
26A	2900766	Seal Kit (Includes Items 8,13,17,18,19,20,22 & 23)		
26B	2900768	Seal Kit (Includes Items 8,13,15,22 & 23)		
27		Lining Kit Options: (Includes Items 5,6,7,8,22 & 23)	1	
	2900767	0920084 Brake (Prior to S/N 0300033476)		
	7018608	0920110 Brake (S/N 0300033476 to S/N 0300056536)		
		DRIVE BRAKE ASSEMBLY (NOT SHOWN) (S/N 0300056536 TO S/N 0300069000)	Ref.	B
		NOTE: WAS P/N 0920117 - USE P/N 0920119 AS REPLACEMENT.		
51	7018612	Kit, Repair - 0920117 & 0920119 Brakes	1	
	7000731	Gasket, Mounting Face	1	
		Note: No other parts available.	Ref.	

SECTION 1 FRAME

FIGURE 1-6. DRIVE BRAKE ASSEMBLY

FIG & ITEM #	PART NUMBER	DESCRIPTION	QTY.	REV.

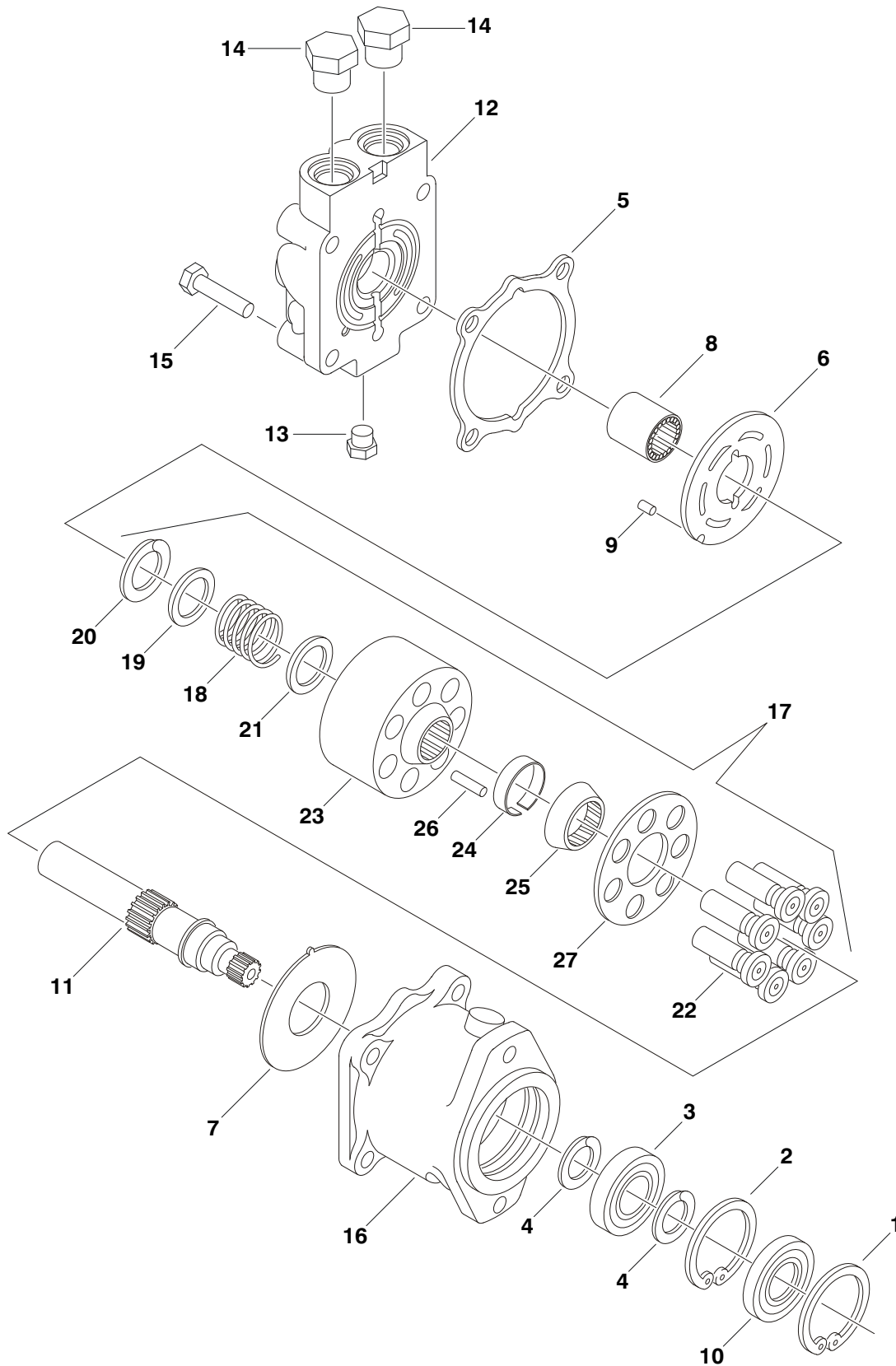
**S
E
C
T
I
O
N

1

F
R
A
M
E**

SECTION 1 FRAME

FIGURE 1-7. DRIVE MOTOR ASSEMBLY - SUNSTRAND (2WD)



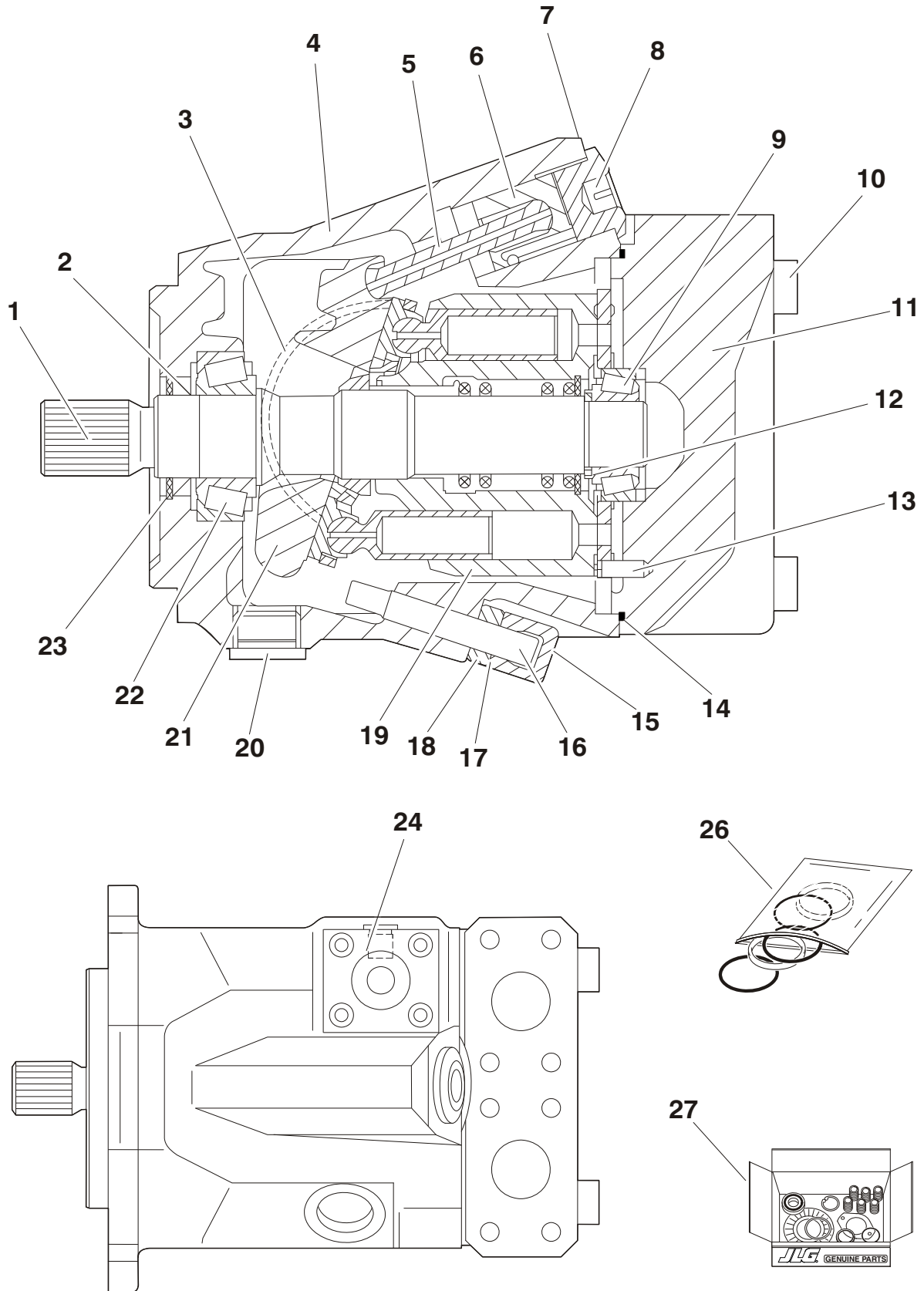
SECTION 1 FRAME

FIGURE 1-7. DRIVE MOTOR ASSEMBLY - SUNSTRAND (2WD)

FIG & ITEM #	PART NUMBER	DESCRIPTION	QTY.	REV.
	3160205	DRIVE MOTOR ASSEMBLY - SUNSTRAND (2WD)	Ref.	B
1	7007438	Ring, Retaining	1	
2	7007438	Ring, Retaining	1	
3	7007437	Bearing, Ball	1	
4	7007439	Ring, Retaining	2	
5	7010108	Gasket, End Cap	1	
6	7010109	Plate, Motor Valve	1	
7	7010110	Plate, Thrust	1	
8	7007425	Bearing, Needle	1	
9	7007446	Pin	1	
10	7007459	Seal, Lip	1	
11	7010111	Shaft	1	
12	7010112	Cap, End	1	
13	7010113	Plug	1	
14	7010114	Plug	2	
15	7010115	Screw	4	
16	Use 3160205	Housing (Note: Not Available for Purchase)	1	
17	7010116	Cylinder Block Assembly	1	
18	7007428	Spring	1	
19	7007427	Washer	1	
20	7007426	Ring, Retaining	1	
21	7007429	Washer	1	
22	7010117	Piston Assembly	7	
23	7010118	Block, Cylinder	1	
24	7007430	Retainer, Pin	1	
25	7007434	Guide, Slip Retainer	1	
26	7007431	Pin, Slip Retainer	3	
27	7010119	Retainer, Slip	1	

SECTION 1 FRAME

FIGURE 1-8. DRIVE MOTOR ASSEMBLY - REXROTH (4WD)



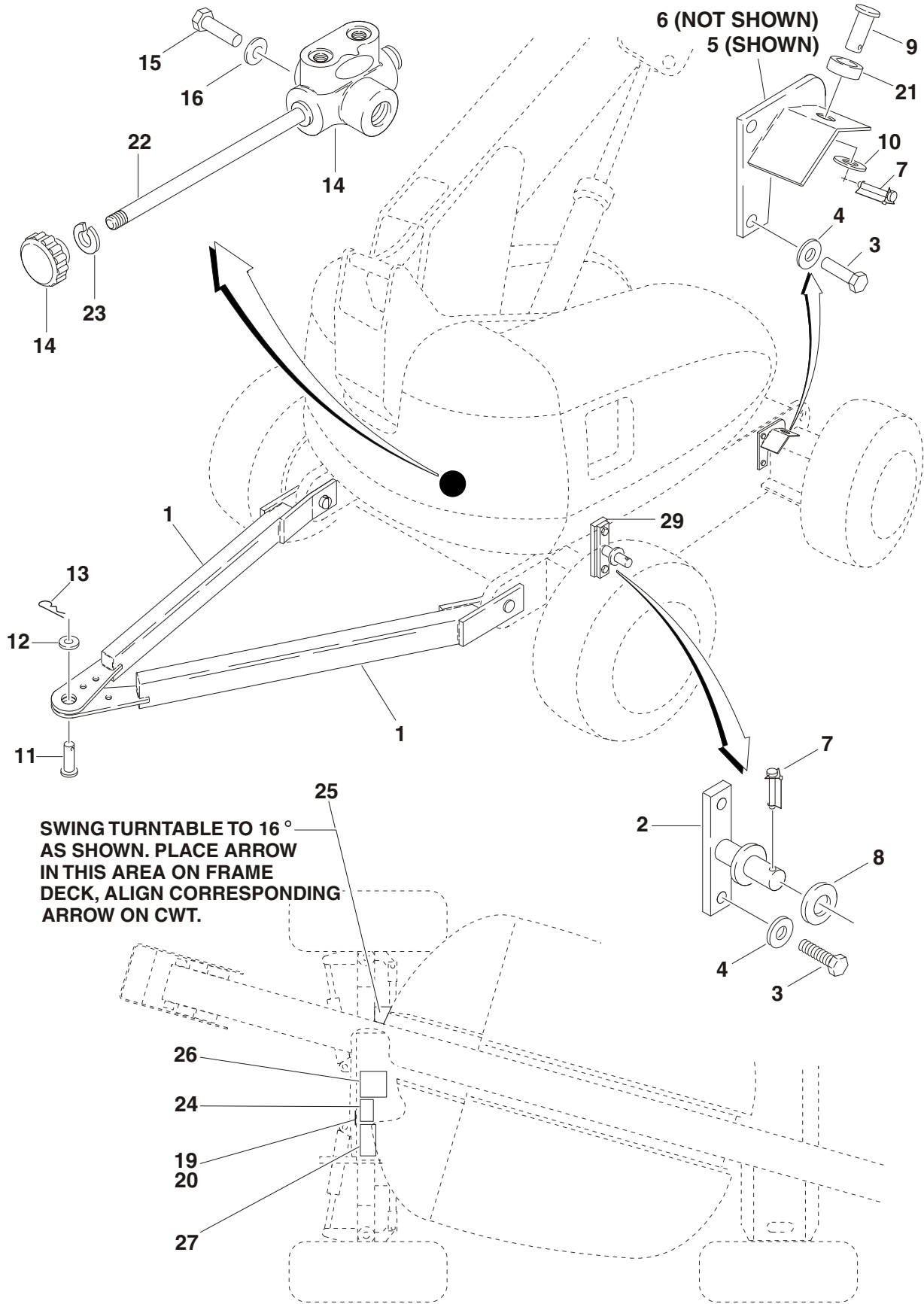
SECTION 1 FRAME

FIGURE 1-8. DRIVE MOTOR ASSEMBLY - REXROTH (4WD)

FIG & ITEM #	PART NUMBER	DESCRIPTION	QTY.	REV.
	3160204	DRIVE MOTOR ASSEMBLY - REXROTH (4WD)	Ref.	A
1	7012701	Shaft - 13 Teeth	1	
2	Use 2900788	Seal, Shaft	1	
3	7012702	Bearing, Cradle	2	
4	Use 3160204	Housing (Note: Not Available for Purchase)	1	
5	7012703	Rod, Piston	1	
6	7012704	Piston, Stroking	1	
7	Use 2900788	O-Ring	1	
8	7012705	Nut, Adaptor	1	
9	7012706	Bearing, Roller	1	
10	7012707	Bolt, Socket Head M12 x 65	4	
11	7012708	Block, Port	1	
12	7012709	Shim	1	
13	7012710	Pin, Dowel M6 x 18	1	
14	Use 2900788	O-Ring	1	
15	7012711	Nut, Cap M10 x 1	1	
16	7012712	Screw, Adjusting	1	
17	Use 2900788	O-Ring	2	
18	7012713	Nut, Jam M10 x 1	1	
19	Use 7012716	Rotary Group Assembly	1	
20	See Note	Plug (Note: Not Available for Purchase)	1	
21	Use 7012716	Plate, Swash	1	
22	7012714	Bearing, Roller	1	
23	7012715	V-Ring	1	
24	7012700	Control Plate Assembly (Prior to S/N 0300029852)	1	
25	Not Used			
26	2900788	Seal Kit (Includes Items 2,7,14,17 and O-Rings under Item 24)	1	
27	7012716	Rotary Group Kit (Includes Items 19 and 21)	1	

SECTION 1 FRAME

FIGURE 1-9. TOW PACKAGE INSTALLATION (OPTIONAL)



SECTION 1 FRAME

FIGURE 1-9. TOW PACKAGE INSTALLATION (OPTIONAL)

FIG & ITEM #	PART NUMBER	DESCRIPTION	QTY.	REV.
		TOW INSTALLATION OPTIONS:	Ref.	
	0257436	7ft/2.1m Width Machines	Ref.	3
	0257101	8ft/2.4m Width Machines	Ref.	2
1	4845281	Tow Bar Weldment	1	
2		Bracket, Tow Bar Options:	2	
	Not Required	7ft/2.1m Width Machines		
	4845283	8ft/2.4m Width Machines		
3		Bolt 3/8in-16NC x 1in Options:	8	
	Not Required	7ft/2.1m Width Machines		
	0641608	8ft/2.4m Width Machines		
4		Flatwasher 3/8in Thin Options:	8	
	Not Required	7ft/2.1m Width Machines		
	4711600	8ft/2.4m Width Machines		
5		Bracket, Tow Bar Options:	1	
	Not Required	7ft/2.1m Width Machines		
	4845450	8ft/2.4m Width Machines		
6		Bracket, Tow Bar Options:	1	
	Not Required	7ft/2.1m Width Machines		
	4845451	8ft/2.4m Width Machines		
7	3421453	Pin, Snap	4	
8	4712600	Flatwasher 1in Thin	A/R	
9	3422553	Pin, Tow Bar	2	
10	4713400	Flatwasher 1-1/2in Thin	2	
11	3422553	Pin, Tow Bar	1	
12	4713000	Flatwasher 1-1/4in Thin	2	
13	3420592	Hairpin	1	
14	4640261	Diversion Valve Assembly	1	
15	0641505	Bolt 5/16in-18NC x 5/8in	2	
16	4711500	Flatwasher 5/16in Thin	2	
17	Not Used			
18	Not Used			
19	3250872	Nameplate	1	
20	3820001	Rivet	4	
21	4567172	Tube, Spacer	2	
22	3841329	Rod Extension	1	
23	4761600	Lockwasher 3/8in	1	
24	1703403	Decal - Instruction	1	
25	1703404	Decal - Match Arrow	2	
26	1703444	Decal	1	
27	1703450	Decal	1	
28	3539662	Plate, Valve Mounting (Not Shown)	1	
29		Bar, Tow Clamp Options:	4	
	Not Required	7ft/2.1m Width Machines		
	0362519	8ft/2.4m Width Machines		

SECTION 1 FRAME

FIGURE 1-9. TOW PACKAGE INSTALLATION (OPTIONAL) (CONTINUED)

FIG & ITEM #	PART NUMBER	DESCRIPTION	QTY.	REV.

**S
E
C
T
I
O
N

1

F
R
A
M
E**

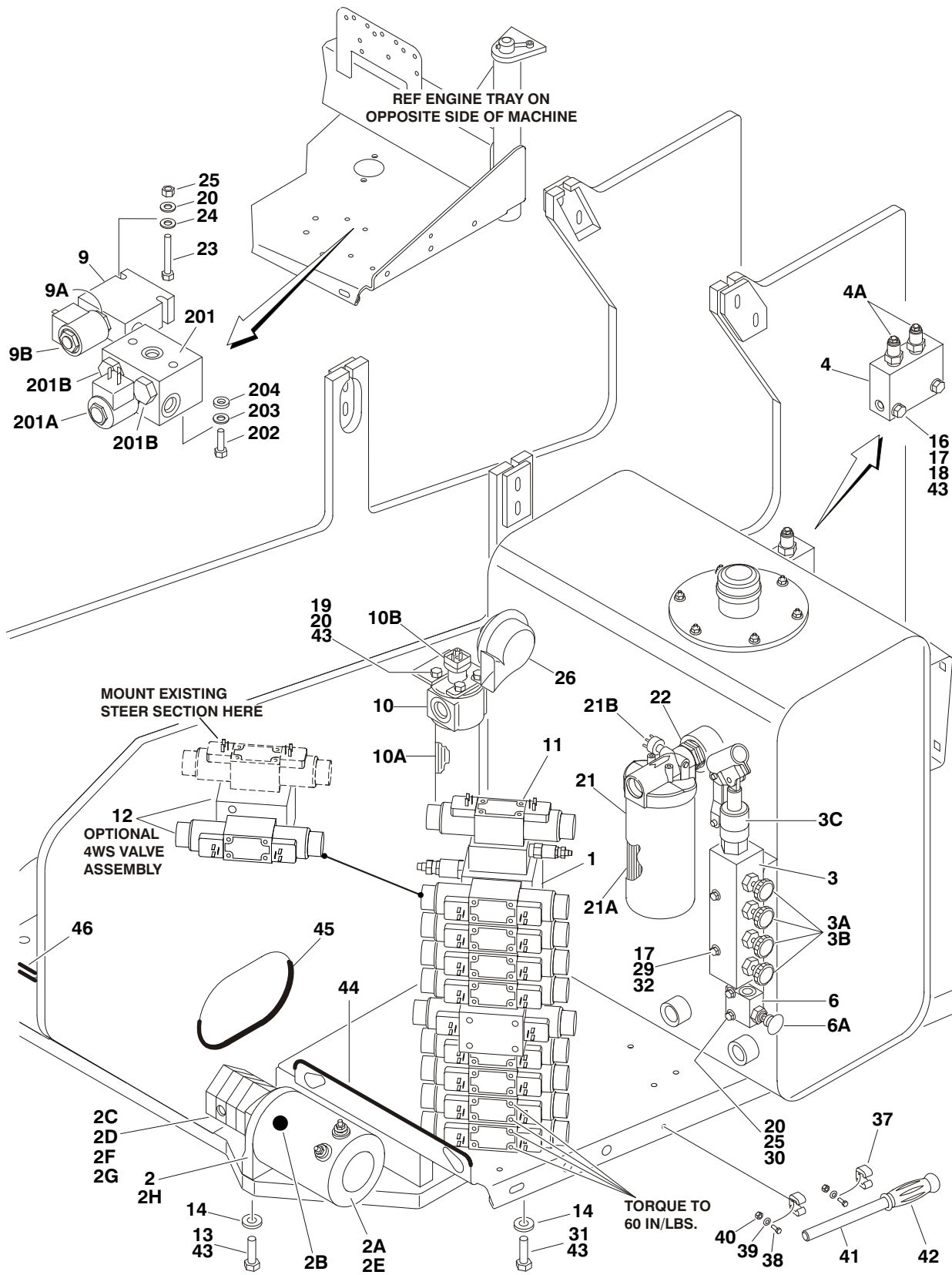
SECTION 2 TURNTABLE

TABLE OF CONTENTS		
FIGURE	DESCRIPTION	PAGE
2-1	CONTROL VALVES INSTALLATIONS	2-2
2-2	MAIN VALVE BLOCK ASSEMBLY	2-6
2-3	ACCESSORY VALVE ASSEMBLIES	2-10
2-4	SWING DRIVE, TURNTABLE BEARING & LOCK INSTALLATIONS	2-12
2-5	SWING HUB ASSEMBLY	2-14
2-6	SWING BRAKE ASSEMBLY	2-16
2-7	SWING MOTOR ASSEMBLY	2-20
2-8	DEUTZ ENGINE INSTALLATION - WITHOUT NOISE REDUCTION (PRIOR TO S/N 0300029930)	2-22
2-9	DEUTZ ENGINE INSTALLATION - WITH NOISE REDUCTION (S/N 0300028190 TO S/N 0300069000)	2-28
2-10	GENERATOR INSTALLATION - (OPTIONAL - DEUTZ ENGINE MACHINES)	2-36
2-11	PISTON PUMP ASSEMBLY	2-40
2-12	GEAR PUMP ASSEMBLY	2-46
2-13	TANK INSTALLATIONS	2-48
2-14	ROTARY COUPLING INSTALLATION	2-50
2-15	GROUND CONTROL BOX INSTALLATION (PRIOR TO S/N 0300064249)	2-52
2-16	GROUND CONTROL BOX INSTALLATION (ADE SYSTEM) (S/N 0300064249 TO S/N 0300069000)	2-56
2-17	ELECTRICAL OPTIONS INSTALLATION (TURNTABLE MOUNTED)	2-60
2-18	ENGINE TRAY JACK INSTALLATION (OPTIONAL)	2-64
2-19	HOODS INSTALLATIONS - WITHOUT NOISE REDUCTION	2-66
2-20	HOODS INSTALLATIONS - WITH NOISE REDUCTION	2-70

SECTION 2 TURNTABLE

FIGURE 2-1. CONTROL VALVES INSTALLATIONS

SECTION 2 TURNTABLE



SECTION 2 TURNTABLE

FIGURE 2-1. CONTROL VALVES INSTALLATIONS

FIG & ITEM #	PART NUMBER	DESCRIPTION	QTY.	REV.
		CONTROL VALVES INSTALLATIONS	Ref.	
	0255440	600A 2WS	Ref.	9
	0255442	600A 4WS	Ref.	9
	0255441	600AJ 2WS	Ref.	11
	0255443	600AJ 4WS	Ref.	9
1		Main Valve Block Assembly (See Figure 2-2 for Breakdown) Options:	1	
	4640920	Prior to S/N 0300041204		
	4641097	S/N 0300041204 to S/N 0300069000		
2	3600243	Auxiliary Pump Assembly	1	A
2A	7013755	Replacement Motor	1	
	7013799	Brush Kit - 7013755 Motor	1	
2B	7013711	Coupling	1	
2C	7013796	Replacement Pump	1	
	See Note	Seal Kit (Note: Not Available - Purchase Individual Components)	1	
	7016700	Seal, Oil	1	
	7016701	O-Ring	1	
	7016702	O-Ring	1	
2D	7022203	Bolt (Pump to Bracket)	4	
2E	7016744	Bolt (Motor to Bracket)	2	
3	4640930	Manual Descent Valve Assembly	1	
3A	7012954	Cartridge, Needle	4	
	7012953	Seal, Kit - 7012954 Cartridge	4	
3B	7012961	Knob	4	
3C	7012694	Cartridge, Pump	1	
	7012699	Seal Kit - 7012694 Cartridge	1	
4	4640908	Counterbalance Valve Assembly	1	
4A	7011328	Cartridge, Counterbalance	2	
	2900770	Seal Kit - 7011328 Cartridge	2	
5	Not Used			
6	4640866	Manual Pull Valve Assembly	1	
	2900708	Seal Kit - 4640866 Valve	1	
6A	7012959	Knob	1	
7	Not Used			
8	Not Used			
9	4640907	Brake Valve Assembly	1	
9A	7012941	Cartridge Without Coil	1	
	7012907	Seal Kit - 7012941 Cartridge	1	
9B	7012944	Coil	1	
10	2120146	Hydraulic Pressure Filter Assembly	1	
10A	2120150	Element, Filter	1	
10B	7016312	Switch, Clog Indicator	1	

SECTION 2 TURNTABLE

SECTION 2 TURNTABLE

FIGURE 2-1. CONTROL VALVES INSTALLATIONS (CONTINUED)

SECTION 2 TURNTABLE

FIG & ITEM #	PART NUMBER	DESCRIPTION	QTY.	REV.
11		Articulating Jib Valve Kit (See Figure 2-3 for Breakdown)	1	
	Not Required	Options:		
	4640921	600A - 2WS/600A - 4WS		
		600AJ - 2WS/600AJ - 4WS		
		Harness, Articulating Jib Options (Not Shown - See Section 7 for Breakdown)		
	4921771	Prior to S/N 0300035129		
	4921927	S/N 0300035129 to S/N 0300069000		
12		4WS Valve Assembly (See Figure 2-3 for Breakdown)	1	
	Not Required	Options:		
	4640922	600A - 2WS/600AJ - 2WS		
		600A - 4WS/600AJ - 4WS		
		Harness, 4WS Options (Not Shown - See Section 7 for Breakdown):	1	
	4921772	Prior to S/N 0300035129		
	4921928	S/N 0300035129 to S/N 0300069000		
13	0641613	Bolt 3/8in-16NC x 1-5/8in	2	
14	4711600	Flatwasher 3/8in Thin	2	
15	Not Used			
16	4891800	Flatwasher 1/2in Hardened	2	
17	4711500	Flatwasher 5/16in Thin	8	
18	3311501	Nut 5/16in-18NC	2	
19	0651406	Bolt 1/4in-28NF x 3/4in	4	
20	4711400	Flatwasher 1/4in Thin	14	
21	2120145	Return Filter Assembly	1	B
21A	2120149	Element, Filter	1	
21B	7016313	Switch, Clog Indicator	1	
22	2220893	Fitting, Adaptor	1	
23	0641416	Bolt 1/4in-20NC x 2in	2	
24	4891400	Flatwasher 1/4in Hardened	2	
25	3311405	Locknut 1/4in x 20NC	6	
26	0140001	Horn	1	
27 to 28	Not Used			
29	0641522	Bolt 5/16in-18NC x 2-3/4in	2	
30	0641414	Bolt 1/4in-20NC x 1-3/4in	2	
31	0641608	Bolt 3/8in-16NC x 1in	3	
32	3311505	Locknut 5/16in-18NC	2	
33 to 36	Not Used			
37	1380136	Clip, Gripper	2	
38	3910806	Screw #8 x 3/4in	2	
39	4750800	Flatwasher #8 Regular	4	
40	3310805	Locknut #8	2	
41	2560122	Handle	1	
42	2560123	Grip, Handle	1	
43	0100011	Compound, Locking	A/R	
44	4060804	Trim-Loc 3/16in	16in/40cm	
45	4060918	Trim-Loc 5/8in	79in/1.9m	
46	4060807	Trim-Loc 3/8in	18in/46cm	

SECTION 2 TURNTABLE

FIGURE 2-1. CONTROL VALVES INSTALLATIONS (CONTINUED)

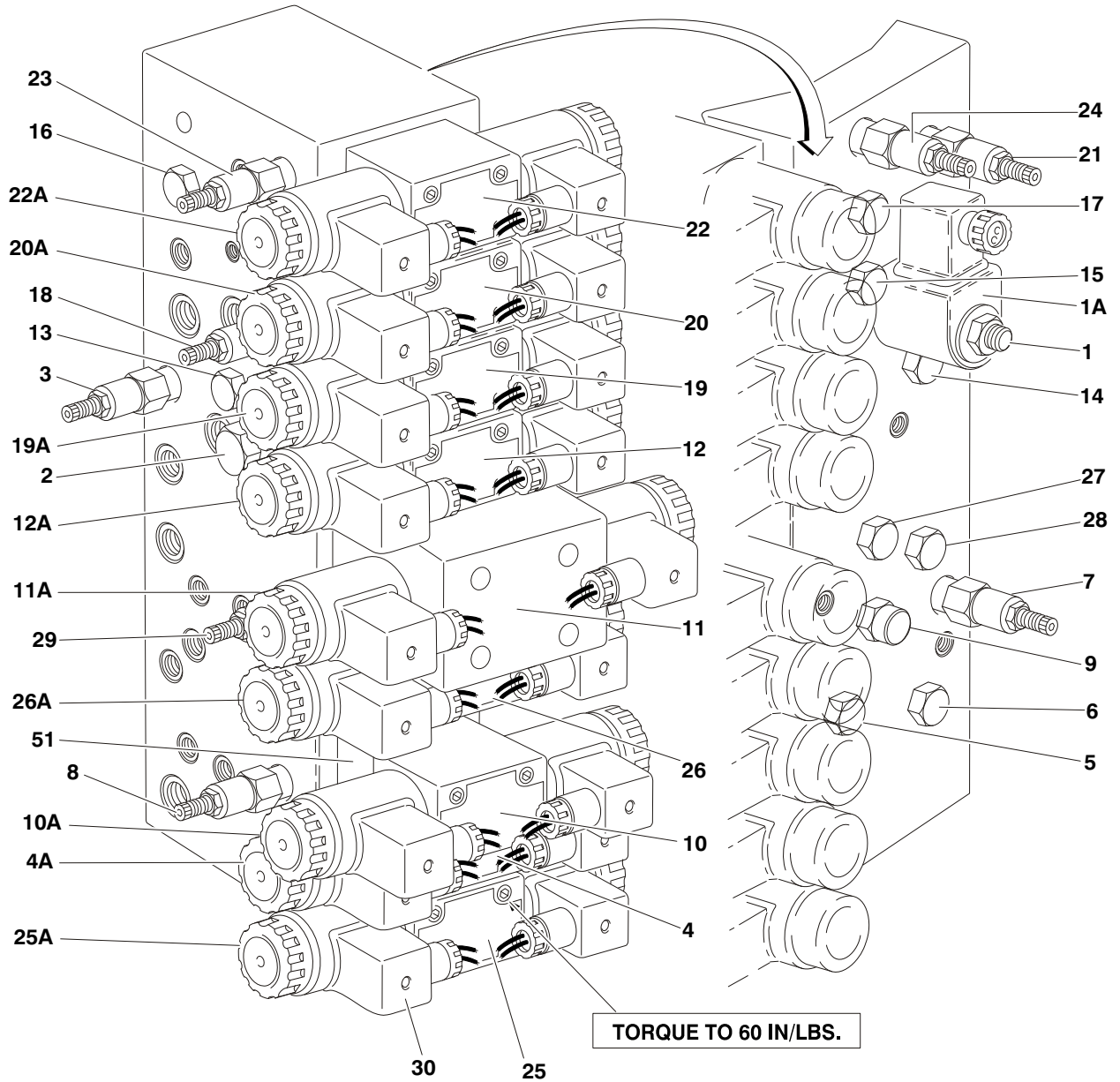
FIG & ITEM #	PART NUMBER	DESCRIPTION	QTY.	REV.
	0255362	TILT INDICATOR INSTALLATION (PRIOR TO S/N 0300064249)	Ref.	-
101	4360416	Sensor, Tilt Indicator	1	
102	0641406	Bolt 1/4in-20NC x 3/4in	2	
103	3311405	Locknut 1/4in-20NC	2	
	2792195	4WD DRIVE HYDRAULIC DIAGRAM	Ref.	8
201	4640906	Valve, 2-Speed Motor Control	1	
201A	7012974	Cartridge Without Coil	1	
	7012905	Seal Kit	1	
	7012944	Coil	1	
201B	See Note	Cartridge, Check Valve (Note: Not Available - Purchase Complete Valve Assembly)	2	
	7012972	Seal Kit	2	
202	0641508	Bolt 5/16in-18NC x 1in	2	
203	4891500	Flatwasher 5/16in Hardened	2	
204	4711500	Flatwasher 5/16in Thin	2	

SECTION 2 TURNTABLE

SECTION 2 TURNTABLE

FIGURE 2-2. MAIN VALVE BLOCK ASSEMBLY

SECTION 2 TURNTABLE



SECTION 2 TURNTABLE

FIGURE 2-2. MAIN VALVE BLOCK ASSEMBLY

FIG & ITEM #	PART NUMBER	DESCRIPTION	QTY.	REV.
		MAIN VALVE BLOCK ASSEMBLY	Ref.	
	4640920	Prior to S/N 0300041204	Ref.	D
	4641097	S/N 0300041204 to S/N 0300069000	Ref.	B
1	7017410	Cartridge, Without Coil	1	
	7012967	Seal Kit - 7017410 Cartridge	1	
1A	7012944	Coil	1	
2	7017411	Cartridge, Pressure Sensing	1	
	7012518	Seal Kit	1	
3	7017418	Cartridge (Main Relief)	1	
	7012998	Seal Kit	1	
4	Use 70001976	Control Valve Assembly (Platform Level) (was p/n 7012770)	1	
	7012773	Seal Kit	1	
4A	7012772	Coil	2	
	7018912	Nut	2	
5	7012914	Cartridge, Check Valve	1	
	7012918	Seal Kit - 7012914 Cartridge	1	
6	7012914	Cartridge, Check Valve	1	
	7012918	Seal Kit - 7012914 Cartridge	1	
7	7017428	Cartridge, Relief Valve (Platform Level Backward Relief)	1	
	7012998	Seal Kit - 7017428 Cartridge	1	
8	7017427	Cartridge, Relief Valve (Platform Level Forward Relief)	1	
	7012998	Seal Kit - 7012912 Cartridge	1	
9	7012989	Cartridge, Flow Control	1	
	7012953	Seal Kit - 7012989 Cartridge	1	
10	Use 70001976	Control Valve Assembly (Platform Rotate) (was p/n 7012770)	1	
	7012773	Seal Kit	1	
10A	7012772	Coil	2	
	7018912	Nut	2	
11	Use 70000579	Control Valve Assembly (Upper Tele) (was p/n 7012766)	1	
		Note: Refer to Vendor P/N on Valve Nameplate before ordering Parts. 7012766 is RR00567495 or R900567495. 70000579 is R900930080.	Ref.	
		Seal Kit Options:	1	
	7012769	7012766 Valve		
	70000583	70000579 Valve		
11A		Coil Options:	1	
	7012772	7012766 Valve (was p/n 7012768)		
	70000582	70000579 Valve		
		Nut, Coil Options:	1	
	7018912	7012766 Valve		
	70000580	70000579 Valve		
12	7012775	Control Valve Assembly (Flow Control)	1	
	7012773	Seal Kit	1	
12A	7012772	Coil	2	
	7018912	Nut	2	
13	7010542	Cartridge, Shuttle	1	
	7010543	Seal Kit - 7010542 Cartridge	1	

SECTION 2 TURNTABLE

SECTION 2 TURNTABLE

FIGURE 2-2. MAIN VALVE BLOCK ASSEMBLY (CONTINUED)

SECTION 2 TURNTABLE

FIG & ITEM #	PART NUMBER	DESCRIPTION	QTY.	REV.
14	7010542	Cartridge, Shuttle	1	
	7010543	Seal Kit - 7010542 Cartridge	1	
15	7010542	Cartridge, Shuttle	1	
	7010543	Seal Kit - 7010542 Cartridge	1	
16	7010542	Cartridge, Shuttle	1	
	7010543	Seal Kit - 7010542 Cartridge	1	
17	7010542	Cartridge, Shuttle	1	
	7010543	Seal Kit - 7010542 Cartridge	1	
18	7017420	Cartridge, Relief Valve	1	
	7012998	Seal Kit - 7017420 Cartridge	1	
19	7012775	Control Valve Assembly (Upper Lift)	1	
	7012773	Seal Kit	1	
	7012799	Lanyard Assembly (Not Shown)	1	
19A	7012772	Coil	2	
	7018912	Nut	2	
20	7012775	Control Valve Assembly (Swing)	1	
	7012773	Seal Kit	1	
20A	7012772	Coil	2	
	7018912	Nut	2	
21	7017423	Cartridge, Relief Valve (Swing Right/Left Relief)	1	
	7012998	Seal Kit - 7017423 Cartridge	1	
22	7012774	Control Valve Assembly (Swing)	1	
	7012773	Seal Kit	1	
22A	7012772	Coil	2	
	7018912	Nut	2	
23	7017428	Cartridge, Relief Valve (Steer Left Relief)	1	
	7012998	Seal Kit - 7017428 Cartridge	1	
24	7017428	Cartridge, Relief Valve (Steer Right Relief)	1	
	7012998	Seal Kit - 7017428 Cartridge	1	
25	Use 70001976	Control Valve Assembly (Lower Tele) (was p/n 7012770)	1	
	7012773	Seal Kit	1	
25A	7012772	Coil	2	
	7018912	Nut	2	
26	7018952	Control Valve Assembly (Lower Lift) Options:	1	
	7012769	Seal Kit	1	
26A	7012772	Coil	2	
	7018912	Nut	2	
	7012799	Lanyard Cable Assembly	1	
27	7012969	Cartridge, Check	1	
	7012967	Seal Kit - 7012969 Cartridge	1	
28	7012914	Cartridge, Check	1	
	7012918	Seal Kit - 7012914 Cartridge	1	
29	Not Used			
30	4460499	Connector, Din with Diode (Part of Valve Harness)	19	
31 to 50	Not Used			
	2901763	Rotate Sandwich Valve Kit	1	A
51	7021310	Block, Valve	1	

SECTION 2 TURNTABLE

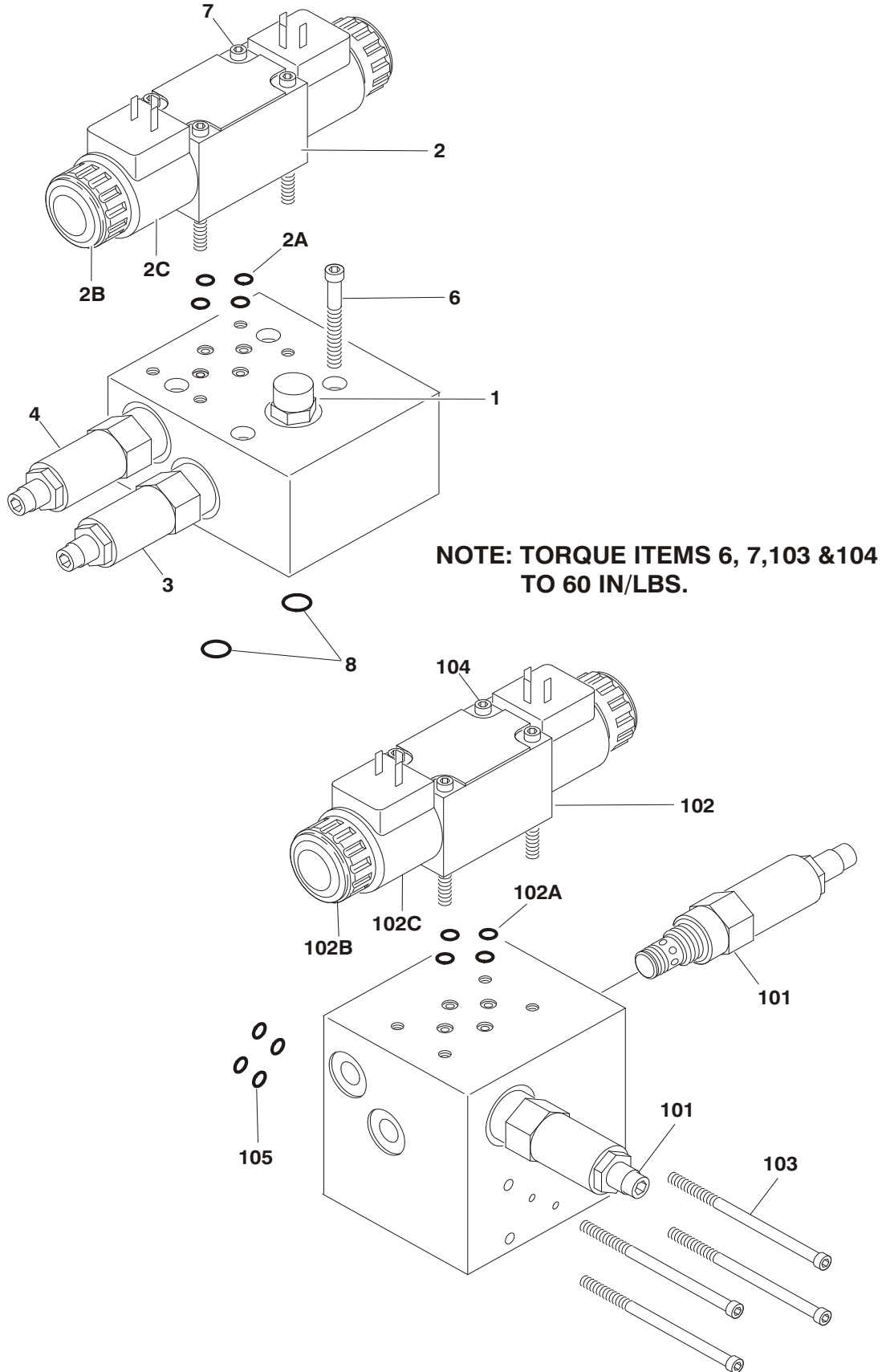
FIGURE 2-2. MAIN VALVE BLOCK ASSEMBLY (CONTINUED)

FIG & ITEM #	PART NUMBER	DESCRIPTION	QTY.	REV.

SECTION 2 TURNTABLE

SECTION 2 TURNTABLE

FIGURE 2-3. ACCESSORY VALVE ASSEMBLIES



SECTION 2 TURNTABLE

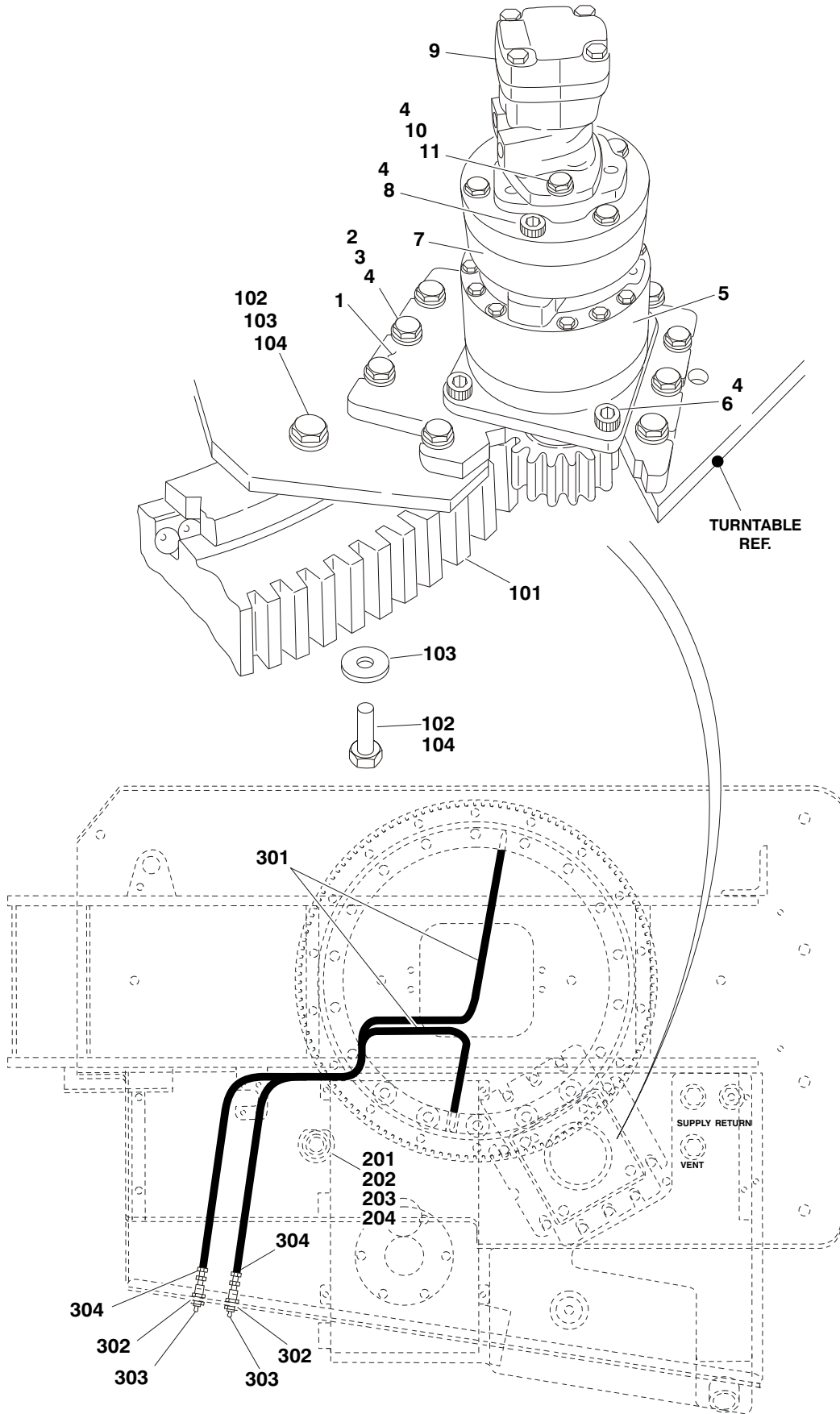
FIGURE 2-3. ACCESSORY VALVE ASSEMBLIES

FIG & ITEM #	PART NUMBER	DESCRIPTION	QTY.	REV.
	4640921	ARTICULATING JIB VALVE ASSEMBLY	Ref.	D
1	7012965	Cartridge, Flow Control	1	
	7012953	Seal Kit - 7012965 Cartridge	1	
2	Use 70001976	Directional Control Valve Assembly (was p/n 7012770)	1	
	7012773	Seal Kit	1	
2A	7018945	O-Ring	4	
2B	7018912	Nut	2	
2C	7012772	Coil	2	
3	7017421	Cartridge, Relief	1	
	7012998	Seal Kit - 7017421 Cartridge	1	
4	7017422	Cartridge, Relief	1	
	7012998	Seal Kit - 7017422 Cartridge	1	
5	4460499	Connector, DIN with Diode (Part of Valve Harness)	2	
6	7018946	Capscrew, Socket Head #10-24NC x 5in (Not Shown - Used to Mount Valve Assembly)	4	
7	7018942	Capscrew, Socket Head #10-24NC x 2in	4	
8	7012776	O-Ring (Not Shown - Used to Mount to Main Valve)	4	
	4640922	4WS VALVE ASSEMBLY	Ref.	B
101	7017420	Cartridge, Flow Control	2	
	7012998	Seal Kit - 7017420 Cartridge	2	
102	7012774	Directional Control Valve Assembly	1	
	7012773	Seal Kit	1	
102A	7018945	O-Ring	4	
102B	7018912	Nut	2	
102C	7012772	Coil	2	
103	7018946	Capscrew, Socket Head #10-24NC x 5in (Used to Mount Valve Assembly)	4	
104	7018942	Capscrew, Socket Head #10-24NC x 2in	4	
105	7018948	O-Ring (Used to Mount to Main Valve)	4	

SECTION 2 TURNTABLE

FIGURE 2-4. SWING DRIVE, TURNTABLE BEARING & LOCK INSTALLATIONS

SECTION 2 TURNTABLE



SECTION 2 TURNTABLE

FIGURE 2-4. SWING DRIVE, TURNTABLE BEARING & LOCK INSTALLATIONS

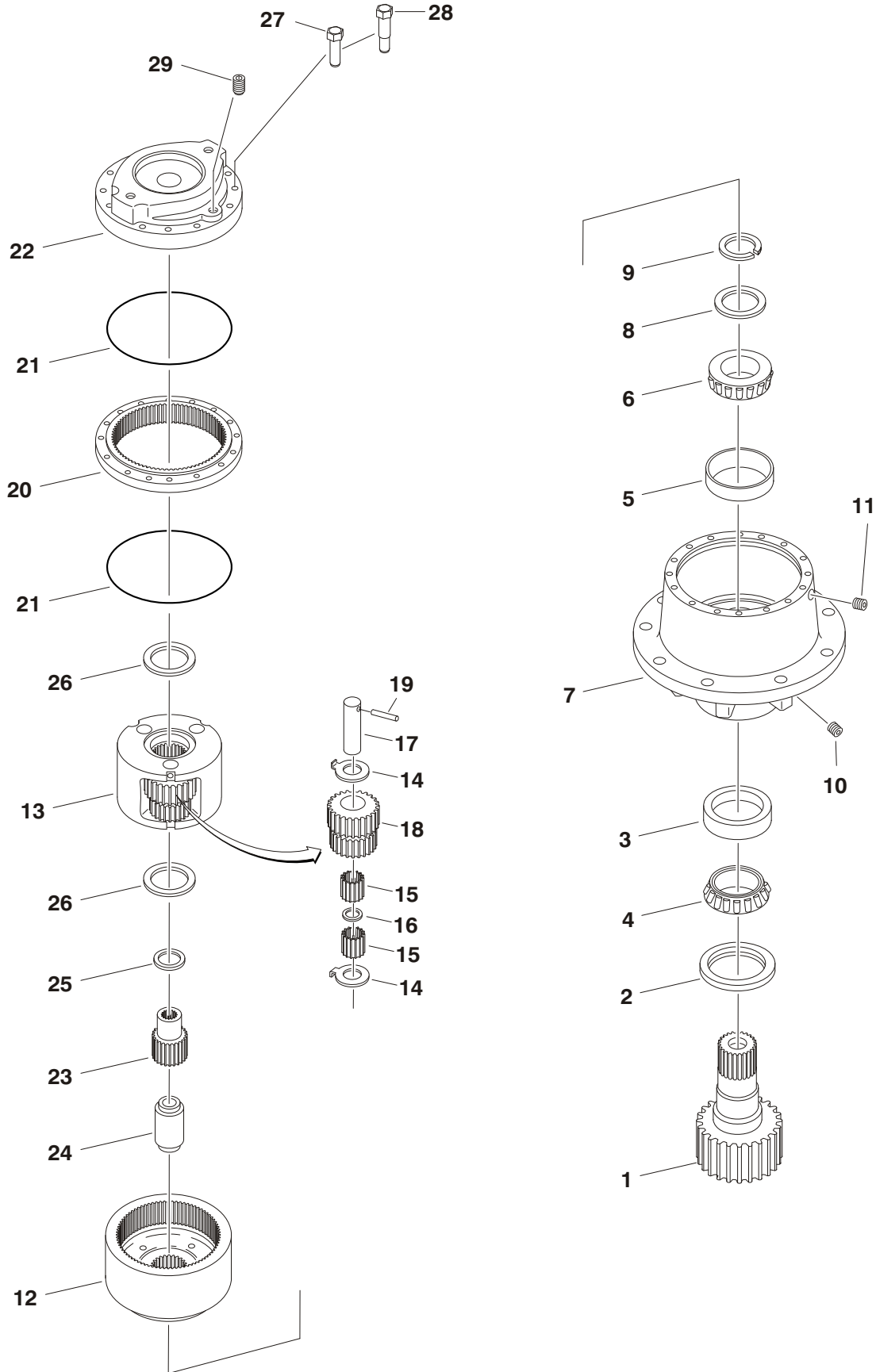
FIG & ITEM #	PART NUMBER	DESCRIPTION	QTY.	REV.
		SWING DRIVE INSTALLATIONS	Ref.	
	0255025	Prior to S/N 0300064566	Ref.	4/B
	0270329	S/N 0300064566 to S/N 0300069000	Ref.	A
1	3537318	Plate, Swing Drive Mounting	1	
2	0642018	Bolt 5/8in - 11NC x 2-1/4in	10	
3	4892000	Flatwasher 5/8in Hardened	10	
4	0100011	Compound, Locking	A/R	
5	2780205	Hub, Swing Assembly (See Figure 2-5 for Breakdown)	1	
6	3932224	Bolt 1/2in - 13NC x 1-1/2in	4	
7		Brake, Swing Assembly (See Figure 2-6 for Breakdown)	1	
	See Note	Prior to S/N 0300033476 (Note: Recommend using 0920109 in place of original 0920083)		
	0920109	S/N 0300033476 to S/N 0300064566		
	0920119	S/N 0300064566 to S/N 0300069000		
8	3931860	Bolt Socket Head 1/2in - 13NC x 3-3/4in (Prior to S/N 0300064566)	2	
9		Motor, Swing Assembly (See Figure 2-7 for Breakdown)	1	
	3160200	Prior to S/N 0300064566		
	3160273	S/N 0300064566 to S/N 0300069000		
10		Bolt Options:	2	
	0641811	Bolt 1/2in - 13NC x 1-3/8in (Prior to S/N 0300064566)		
	0681836	Bolt 1/2in - 13NC x 4-1/2in (S/N 0300064566 to S/N 0300069000)		
11	4891800	Flatwasher 1/2in Hardened	2	
	0254798	TURNTABLE BEARING INSTALLATION	Ref.	A/A
101	Use 2915087	Bearing Kit (was p/n 0440207) (Kit Includes Bearing & Mounting Hardware)	1	
102	0682016	Bolt 5/8in - 11NC X 2in (Grade 8)	36	
103	4892000	Flatwasher 5/8in Hardened	36	
104	0100019	Compound, Locking	A/R	
	0255410	TURNTABLE LOCK INSTALLATION	Ref.	-
201	4844958	Pin	1	
202	3421565	Pin, Snap	1	
203	3760170	Ring, Quick Release	2	
204	1260017	Chain	9in/23cm	
	0255444/1282398	REMOTE BEARING LUBE INSTALLATION	Ref.	1/C
301	2751032	Hose, Grease	2	
302	2180344	Fitting, Bulkhead	2	
303	2160002	Fitting, Grease	2	
304	2220001	Fitting, Straight	2	

SECTION 2 TURNTABLE

SECTION 2 TURNTABLE

FIGURE 2-5. SWING HUB ASSEMBLY

SECTION 2 TURNTABLE



SECTION 2 TURNTABLE

FIGURE 2-5. SWING HUB ASSEMBLY

FIG & ITEM #	PART NUMBER	DESCRIPTION	QTY.	REV.
	2780205	SWING HUB ASSEMBLY	Ref.	—
		HOUSING ASSEMBLY	Ref.	
1	7010492	Shaft, Output	1	
2	7000228	Seal, Lip	1	
3	7000255	Cup, Bearing	1	
4	7000256	Cone, Bearing	1	
5	7000257	Cup, Bearing	1	
6	7000258	Cone, Bearing	1	
7	7017089	Housing	1	
8	7007633	Thrustwasher	1	
9	7000229	Ring, Retaining	1	
10	7010494	Pipe, Plug	2	
11	7001928	Pipe, Plug	2	
12	7000246	Gear, Internal	2	

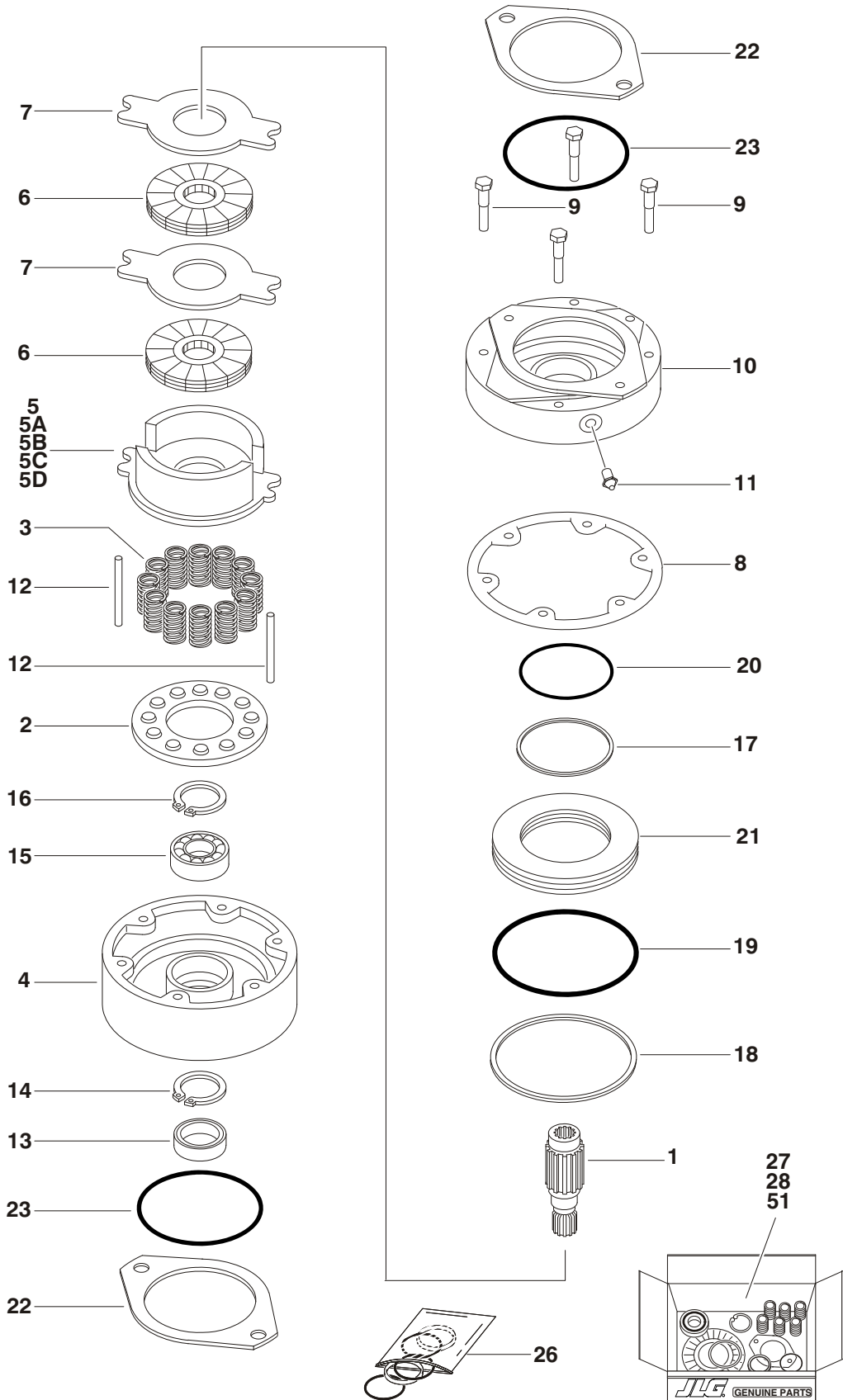
13		CARRIER ASSEMBLY	Ref.	
	7001931	Carrier	1	
14	7001985	Thrustwasher, Tanged	6	
15	7001909	Bearing, Needle	96	
16	7000263	Spacer, Thrust	3	
17	7001911	Shaft, Planet	3	
18	7001987	Gear, Cluster	3	
19	7010474	Rollpin	3	
20	7001988	Ring Gear	1	
21	7000230	O-Ring	2	
22	7000209	Cover, Input	1	
23	7010488	Gear, Sun	1	
24	7000269	Spacer, Input	1	
25	7000270	Thrustwasher	1	
26	7000253	Thrustwasher	2	
27	7000217	Bolt	8	
28	7000214	Bolt, Shoulder	4	
29	7000242	Pipe, Plug	1	

SECTION 2 TURNTABLE

SECTION 2 TURNTABLE

FIGURE 2-6. SWING BRAKE ASSEMBLY

SECTION 2 TURNTABLE



SECTION 2 TURNTABLE

FIGURE 2-6. SWING BRAKE ASSEMBLY

FIG & ITEM #	PART NUMBER	DESCRIPTION	QTY.	REV.
		SWING BRAKE ASSEMBLY OPTIONS:	Ref.	
	0920083	Prior to S/N 0300033476	Ref.	A
	0920109	S/N 0300033476 to S/N 0300064566	Ref.	B
1	7011720	Shaft	1	
2		Guide, Spring Options:	1	
	7011717	0920083 Brake (Prior to S/N 0300033476)		
	7018606	0920109 Brake (S/N 0300033476 to S/N 0300069000)		
3		Spring Options:	A/R	
	7007979	0920083 Brake (Inner) (Prior to S/N 0300033476)	6	
	7007980	0920083 Brake (Outer) (Prior to S/N 0300033476)	6	
	7007970	0920109 Brake (Red) (S/N 0300033476 to S/N 0300064566)	6	
	7018602	0920109 Brake (Blue) (S/N 0300033476 to S/N 0300064566)	3	
4		Housing Options:	1	
	7011713	0920083 Brake (Prior to S/N 0300033476)		
	7018605	0920109 Brake (S/N 0300033476 to S/N 0300064566)		
5		Return Plate & Separator Assembly Options:	A/R	
5A		0920083 Brake (Prior to S/N 0300033476)		
5B	See Note	Plate, Return - 0920083 Brake (Prior to S/N 0300033476) (Note: Use Item 28)	1	
5C	7011715	Separator Assy - 0920083 Brake (Prior to S/N 0300033476)	2	
	7011714	Pin	4	
	7007983	Separator	2	
5D	See Note	0920109 Brake (S/N 0300033476 to S/N 0300064566) (Note: Use Item 28)	1	
6	See Note	Rotor (Note: Use Item 28)	2	
7	See Note	Stator (Note: Use Item 28)	2	
8	See Note	Seal, Oil (Note: Use Item 26 or 27)	1	
9		Bolt, Washer Head Options:	4	
	7007985	0920083 Brake (Prior to S/N 0300033476)		
	7018607	0920109 Brake (S/N 0300033476 to S/N 0300064566)		
10	7011719	Cover	1	
11		Hardware Options:	1	
	7007914	Screw, Bleeder (Prior to S/N 0300033906)		
	7018609	Plug, Pipe (S/N 0300033906 to S/N 0300064566)		
12	7007987	Pin, Dowel	2	
13	See Note	Seal, Oil (Note: Use Item 26 or 27)	1	
14	7011716	Ring, Retaining	1	
15	Use 2900768	Bearing	1	
16	7007977	Ring, Retaining	1	
17	Use 2900766	Ring, Back-Up	1	
18	Use 2900766	Ring, Back-Up	1	
19	Use 2900766	O-Ring	1	
20	Use 2900766	O-Ring	1	

SECTION 2 TURNTABLE

FIGURE 2-6. SWING BRAKE ASSEMBLY (CONTINUED)

SECTION 2 TURNTABLE

FIG & ITEM #	PART NUMBER	DESCRIPTION	QTY.	REV.
21		Piston Options:	1	
	7007923	0920083 Brake (Prior to S/N 0300033476)		
	7018603	0920109 Brake (S/N 0300033476 to S/N 0300064566)		
22	7007934	Gasket	2	
23	See Note	O-Ring (Note: Use Item 26 or 27)	2	
25 to 25	Not Used			
26	2900766	Seal Kit (Includes Items 8,13,17,18,19,20,22 & 23)	1	
27	2900768	Bearing Kit (Includes Items 8,13,14,15,16,22 & 23)	1	
28		Lining Kit Options:		
	2900767	0920083 Brake (Prior to S/N 0300033476 - Includes Items 5B, 6, 7, 8, 22 and 23)		
	7018608	0920109 Brake (S/N 0300033476 to S/N 0300064566 - Includes Items 5D, 6, 7, 8, 22 and 23)		
	0920119	SWING BRAKE ASSEMBLY (NOT SHOWN) (S/N 0300064566 TO S/N 0300069000)	Ref.	B
51	7018612	Kit, Repair Note: Repair Kit Only (No Other Service Parts Available)	1 Ref.	

SECTION 2 TURNTABLE

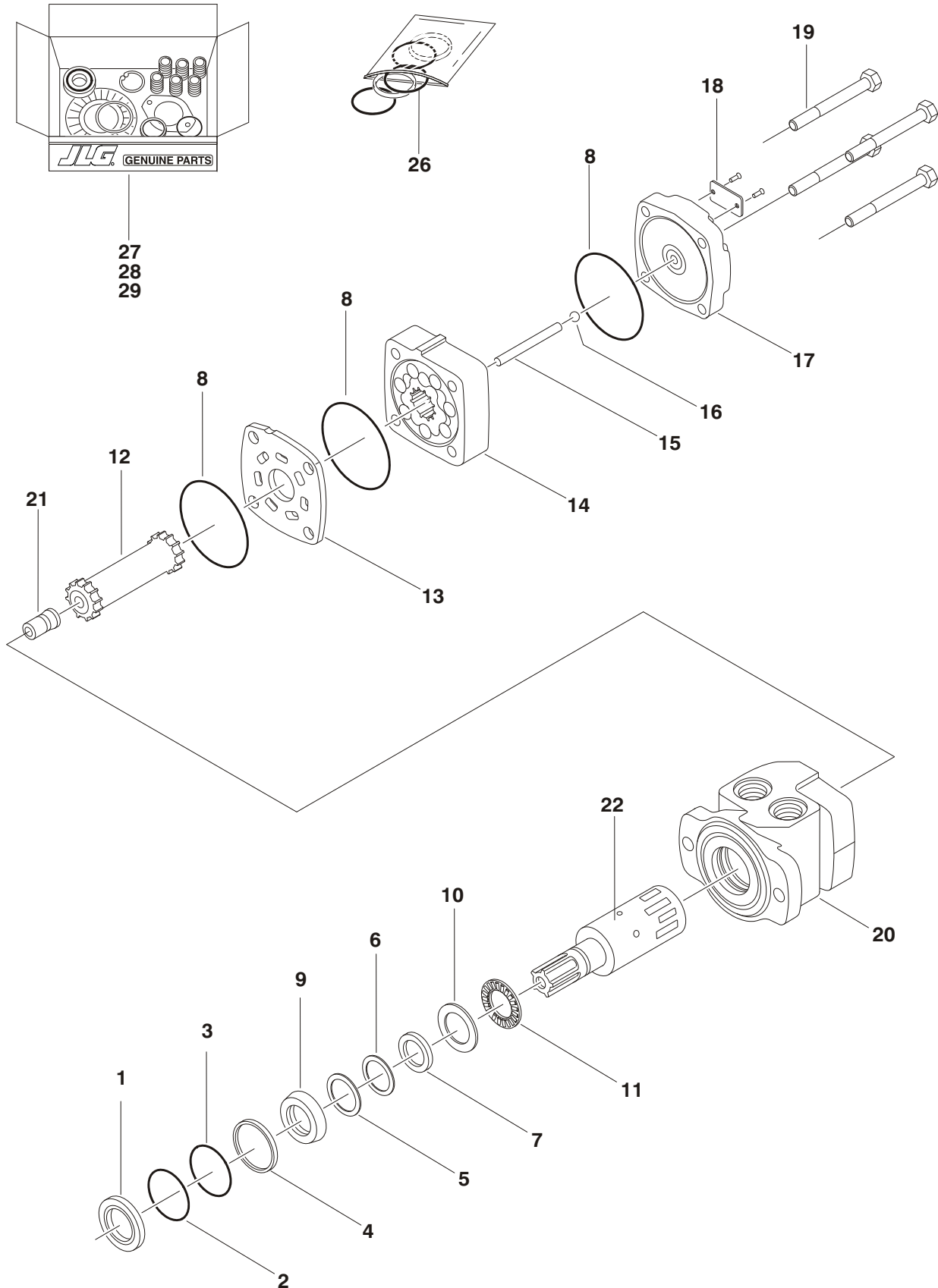
FIGURE 2-6. SWING BRAKE ASSEMBLY (CONTINUED)

FIG & ITEM #	PART NUMBER	DESCRIPTION	QTY.	REV.

SECTION 2 TURNTABLE

SECTION 2 TURNTABLE

FIGURE 2-7. SWING MOTOR ASSEMBLY



SECTION 2 TURNTABLE

SECTION 2 TURNTABLE

FIGURE 2-7. SWING MOTOR ASSEMBLY

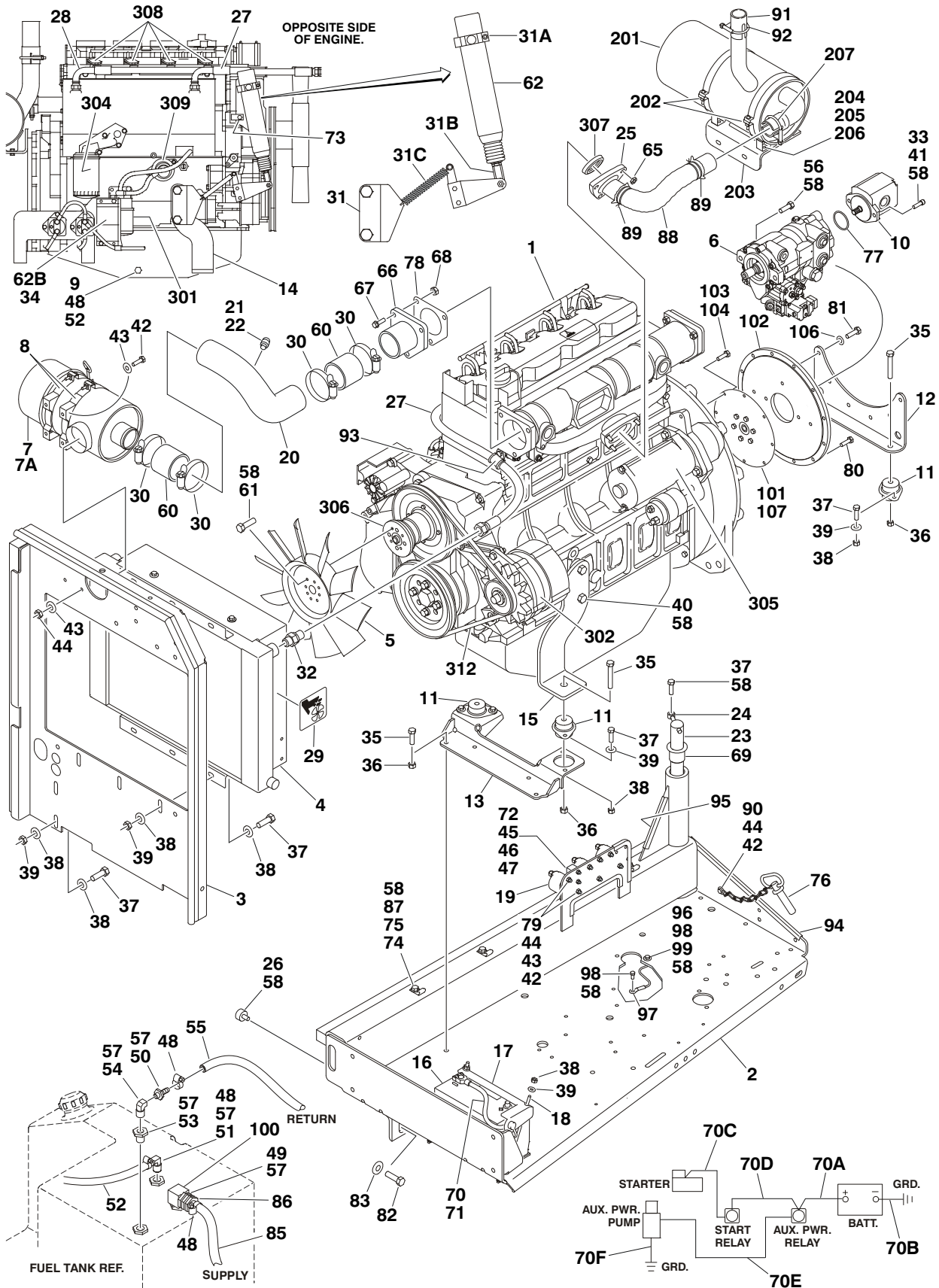
FIG & ITEM #	PART NUMBER	DESCRIPTION	QTY.	REV.
		SWING MOTOR ASSEMBLY OPTIONS:	Ref.	
	3160200	PRIOR TO S/N 0300064566	Ref.	C
	3160273	S/N 0300064566 TO S/N 0300069000	Ref.	B
1	Use 7005881	Seal, Dust	1	
2	Use 7005881	Ring, Split Wire	1	
3	Use 7005881	Shim, Metal Back-Up	1	
4	Use 7005881	Seal, High Pressure	1	
5	Use 7005881	Shim, Metal Back-Up	1	
6	Use 7005881	Seal, Teflon Back-Up	1	
7	Use 7005881	Seal, Shaft	1	
8	Use 7005881	Seal, Body	3	
9	Use 7005882	Carrier, Seal	1	
10	Use 7005882	Thrustwasher	1	
11		Bearing, Thrust Options:	1	
	7005842	Motor p/n 3160200		
	7016422	Motor p/n 3160273		
12	7005889	Link, Drive	1	
13		Plate, Wear Options:	1	
	7005845	Motor p/n 3160200		
	7016423	Motor p/n 3160273		
14	7005890	Rotor Assembly	1	
15	7005891	Pin, Drive Link	1	
16	See Note	Ball (Note: Use Item 28)	1	
17	See Note	Cover, End (Note: Use Item 28)	1	
18	See Note	Tag, I.D. (Note: Not Available for Purchase)	1	
19	7005892	Bolt	4	
20		Housing Options:	1	
	7005841	Motor p/n 3160200		
	7016425	Motor p/n 3160273		
21	7005893	Plug, Cooling	1	
22		Shaft Options:	1	
	7005894	Motor p/n 3160200		
	7016426	Motor p/n 3160273		
23 to 25	Not Used			
26	7005881	Seal Kit (Includes Items 1-8)	1	
27	7005882	Seal Carrier Kit (Includes Items 9 & 10)	1	
28		End Cover Kit (Includes Items 16 & 17) Options:	1	
	7005848	Motor p/n 3160200		
	7016424	Motor p/n 3160273		
29		Housing/Shaft Kit (Includes Items 20-22) Options:	1	
	7005895	Motor p/n 3160200		
	7016427	Motor p/n 3160273		

SECTION 2 TURNTABLE

SECTION 2 TURNTABLE

FIGURE 2-8. DEUTZ ENGINE INSTALLATION - WITHOUT NOISE REDUCTION (PRIOR TO S/N 0300029930)

SECTION 2 TURNTABLE



SECTION 2 TURNTABLE

FIGURE 2-8. DEUTZ ENGINE INSTALLATION - WITHOUT NOISE REDUCTION (PRIOR TO S/N 0300029930)

FIG & ITEM #	PART NUMBER	DESCRIPTION	QTY.	REV.
	0255425	ENGINE ASSEMBLY AND INSTALLATION	Ref.	11/J
1	2000132	Engine - Deutz F4M1011F Diesel	1	
2	4844961	Tray Engine	1	
3	3538724	Plate, Radiator Mounting	1	
4	3620033	Cooler, Oil	1	
5	2060025	Fan	1	
6		Piston Pump Assembly Options: (See Figure 2-11 for Breakdown)	1	
	3600164	13 Tooth Pump (Original Equipment)		
	3600260	15 Tooth Pump (Option for Field Replacement Requires 15 Tooth Coupling P/N 1660234)		
7	1340056	Air Cleaner Assembly	1	
7A	7012664	Element, Air Cleaner	1	
8	0340041	Band, Mounting	2	
9	4640751	Valve, Oil Drain	1	
10	3600242	Gear Pump Assembly (See Figure 2-12 for Breakdown)	1	
11	3200378	Mount, Rubber Engine	4	
12	3537420	Bracket, Engine Mounting - Rear	1	
13	3537691	Bracket, Engine Mounting - Front	1	
14	3537416	Support, Engine - Right	1	
15	3537417	Support, Engine - Left	1	
16	0400075	Battery	1	
17	0181727	Hold-Down, Battery	1	
18	0630498	Rod, Hold-Down	2	
19	3740067	Relay	2	
20	4845080	Tube, Air Intake	1	
21	4360392	Switch, Restrictor Indicator	1	
22	2180798	Fitting	1	
23	3422448	Pin, Pivot	1	
24	3841143	Keeper, Pin	1	
25	4845162	Tube, Exhaust	1	
26	0940070	Bumper, Rubber	1	
27	2720397	Hose, Oil Cooler - Left (36in)	1	
28	2720398	Hose, Oil Cooler - Right (30in)	1	
29	1703162	Nameplate - Fan Caution Options:	2	
30	1320016	Clamp, Hose	4	
31	2901392	Throttle Mounting Kit	1	
31A	7008833	Bracket, Throttle	1	
31B	7008835	Coupling, Ball Joint	1	
31C	7008836	Spring	1	
31D	7023340	Screw, Shoulder 3/8in x 3/8in (Not Shown)	A/R	
32	2220451	Fitting, Straight	2	
33	3931620	Bolt, Socket Head 3/8in-16NC x 1-1/4in	2	
34	0902243	Bracket, Control Module Mounting	1	
35	0641816	Bolt 1/2in-13NC x 2in	4	
36	3311805	Locknut 1/2in-13NC	4	

SECTION 2 TURNTABLE

FIGURE 2-8. DEUTZ ENGINE INSTALLATION - WITHOUT NOISE REDUCTION (PRIOR TO S/N 0300029930) (CONTINUED)

SECTION 2 TURNTABLE

FIG & ITEM #	PART NUMBER	DESCRIPTION	QTY.	REV.
37	0641610	Bolt 3/8in-16NC x 1-1/4in	21	
38	3311605	Locknut 3/8in-16NC	22	
39	4751600	Flatwasher 3/8in Regular	44	
40	0701414	Bolt M14 x 30mm	4	
41	4891600	Flatwasher 3/8in Hardened	2	
42	0641406	Bolt 1/4in-20NC x 3/4in	12	
43	4751400	Flatwasher 1/4in Regular	20	
44	3311405	Locknut 1/4in-20NC	13	
45	0721004	Bolt #10-24NC x 5/8in	2	
46	3311005	Locknut #10-24NC	2	
47	4751000	Flatwasher #10 Regular	2	
48	1320022	Clamp, Hose	6	
49	2220273	Fitting, Reducer	2	
50	2180536	Fitting, Straight	1	
51	2220313	Fitting, 90°	1	
52	2750532	Hose 3/8in	6ft./1.83m	
53	2220250	Fitting, Reducer	1	
54	2220459	Fitting, 90°	1	
55	2720271	Hose 3/16in	15ft./4.6m	
56	0641812	Bolt 1/2in-13NC x 1-1/2in	4	
57	0100020	Sealant, Thread	A/R	
58	0100011	Compound, Locking	A/R	
59	Not Used			
60	2720351	Coupling, Rubber Intake	6in./15cm	
61	0700810	Bolt M8 x 20mm	4	
62	Use 2910000	Actuator Assembly (was p/n 0060033) (See Section 7 for Breakdown)	1	
63 to 64	Not Used			
65	3290801	Nut M8	3	
66	0080177	Air Intake Adapter Weldment	1	
67	0641510	Bolt 5/16in-18NC x 1-1/4in	3	
68	3311505	Locknut 5/16in-18NC	3	
69	0961986	Bushing, Flanged	2	
70	2901358	Battery Cable Kit	1	
70A	7016800	Cable, Battery (Red)	1	
70B	7016812	Cable, Battery (Black)	1	
70C	7016802	Cable (Red)	1	
70D	7016803	Cable (Red)	1	
70E	7016804	Cable (Red)	1	
70F	7016805	Cable (Black) (Prior to S/N 0300025556)	1	
71	4460611	Terminal, Battery Jumper Post	1	
72	4360294	Breaker, Circuit - 30 Amp	1	
73	1320222	J-Clip 3/8in	1	
74	1320223	J-Clip 1/2in	3	
75	0641606	Bolt 3/8in-16NC x 3/4in	3	
76	3422533	Pin, Hitch	1	
77	3790152	O-Ring	1	
78	3960407	Gasket	1	

SECTION 2 TURNTABLE

FIGURE 2-8. DEUTZ ENGINE INSTALLATION - WITHOUT NOISE REDUCTION (PRIOR TO S/N 0300029930) (CONTINUED)

FIG & ITEM #	PART NUMBER	DESCRIPTION	QTY.	REV.
79	4791400	Starwasher 1/4in	4	
80	0701012	Bolt M10 x 25mm	4	
81	0701015	Bolt M10 x 35mm	4	
82	0642010	Bolt 5/8in-11NC x 1-1/4in	1	
83	4752000	Flatwasher 5/8in Regular	1	
84	1701505	Decal - Diesel (Not Shown - Located on Hood)	1	
85	2720058	Hose	16ft/4.9m	
86	2220794	Fitting, Barbed	1	
87	4711600	Flatwasher 3/8in Thin	3	
88	4100025	Sleeve, Fiberglass	19in/49cm	
89	4920385	Wire	2ft/60cm	
90	4711400	Flatwasher 1/4in Thin	1	
91	4566986	Tube, Adapter	1	
92	1320019	Clamp, Exhaust	1	
93	1320060	Clamp, Hose	1	
94	4060805	Flex-Trim 1/4in	7in/18cm	
95	4060804	Flex-Trim 3/16in	16in/40cm	
96	4751800	Flatwasher 1/2in Regular	1	
97	1060637	Lanyard	1	
98	0641808	Bolt 1/2in-13NC x 1in	2	
99	3311801	Nut 1/2in-13NC	1	
100	7019658	Fitting 90° W/Pick-Up Tube	1	
	0256191	PUMP COUPLING INSTALLATION	Ref.	—
101		Coupling, Hayes Options:	1	
	1660184	13 Tooth Pump (Originally Equipped)		
	1660234	15 Tooth Pump (Option for field replacement)		
102	0080163	Plate, Pump Adapter	1	
103	0700810	Bolt M8 x 20mm	6	
104	4831900	Lockwasher M8	6	
105	Not Used			
106	4832000	Lockwasher M10	8	
107	3020021	Grease, Coupling	A/R	
		MUFFLER INSTALLATIONS	Ref.	
	0255875	Standard Equipment	Ref.	—
	0255876	Optional Purifier	Ref.	—
201		Muffler Options:	1	
	3220100	Standard Spark Arresting		
	3220101	Optional Catalytic Purifier		
202	0340041	Band, Clamp	2	
203	0902217	Bracket	1	
204	0641508	Bolt 5/16in-18NC x 1in	4	
205	4711500	Flatwasher 5/16in Thin	8	
206	3311505	Locknut 5/16in-18NC	4	
207	1320019	Clamp, Exhaust	1	

SECTION 2 TURNTABLE

SECTION 2 TURNTABLE

FIGURE 2-8. DEUTZ ENGINE INSTALLATION - WITHOUT NOISE REDUCTION (PRIOR TO S/N 0300029930) (CONTINUED)

SECTION 2 TURNTABLE

FIG & ITEM #	PART NUMBER	DESCRIPTION	QTY.	REV.
	2000132	ENGINE COMPONENTS	Ref.	
301	7020023	Filter, Fuel (was p/n 7016328)	1	
302	7000663	Alternator (was p/n 7016329 & 7020410)	1	
	70002234	Bracket, Adjusting (Not Shown)	1	
303	7016330	Switch, Oil Pressure (Not Shown)	1	
304	7016331	Filter, Oil	1	
305	7016332	Starter	1	
306	70000787	Support, Fan	1	
307	7000699	Seal (Doughnut)	1	
308	7012599	Pump, Fuel Injection	4	
	7020427	Injection (Not Shown)	4	
309	7012698	Pump, Fuel Supply	1	
	7020411	Seal, Pump to Block	1	
	7016309	Washer, Copper	1	
310	7019607	Shutdown, Throttle (Not Shown)	1	
311	7020404	Washer, Oil Drain Plug (Not Shown)	1	
312	7020408	V-Belt	1	
313	7020418	Dipstick Oil Level (Not Shown)	1	
314	7020419	Hose, Fuel Return (Not Shown)	1	
315	7020431	Gasket, Valve Cover (Not Shown)	1	
316	See Note	Flywheel/Ring Gear Assembly (Not Shown) (Note: Not Available for Purchase)	1	
	7020477	Ring Gear Only (Not Shown)	1	
317	7024565	Sensor, Tach (Not Shown - Located on Flywheel Housing)	1	
318	7027250	Spring, Actuator (Not Shown)	1	

SECTION 2 TURNTABLE

FIGURE 2-8. DEUTZ ENGINE INSTALLATION - WITHOUT NOISE REDUCTION (PRIOR TO S/N 0300029930) (CONTINUED)

FIG & ITEM #	PART NUMBER	DESCRIPTION	QTY.	REV.

**S
E
C
T
I
O
N

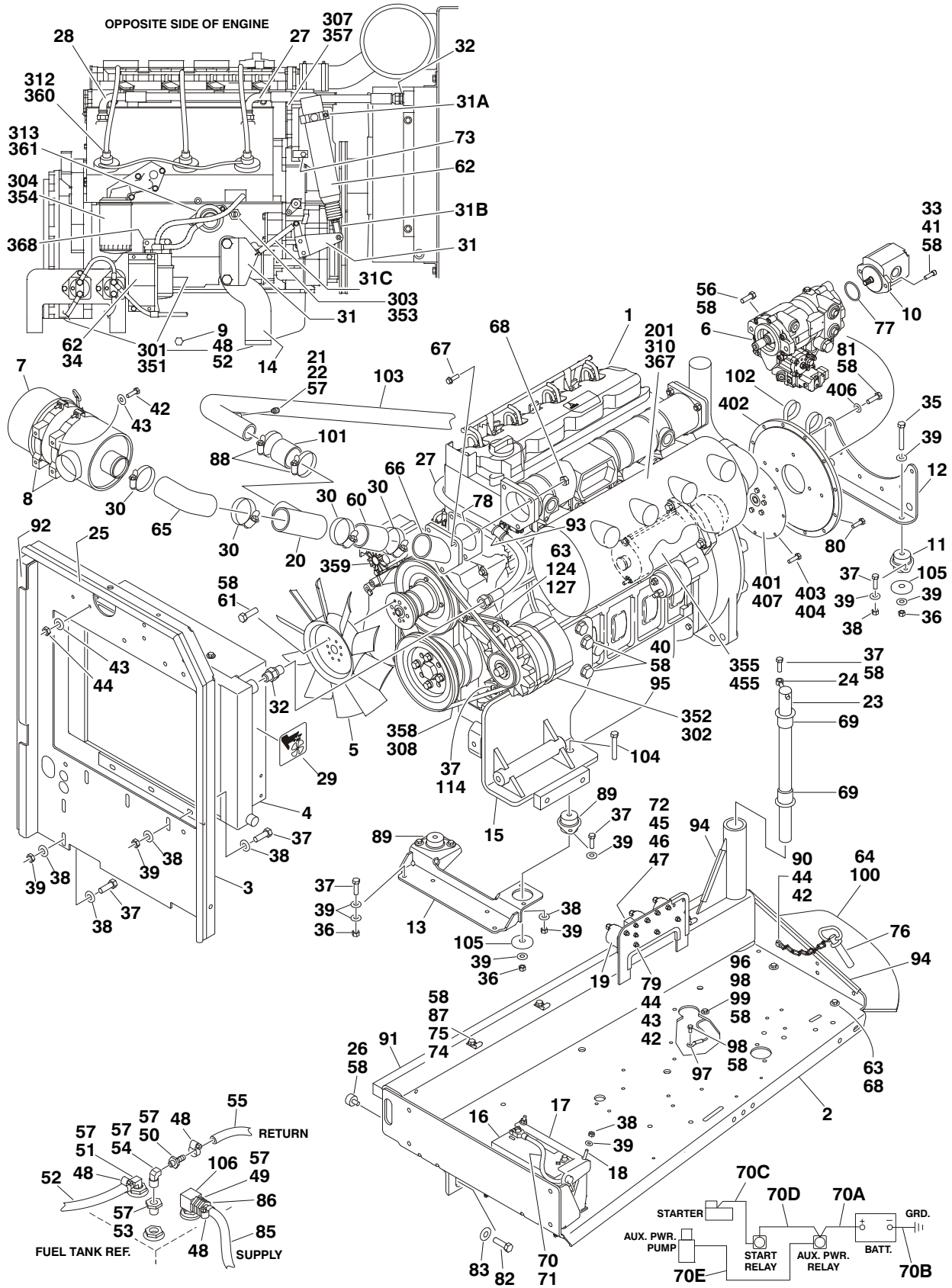
2

T
U
R
N
T
A
B
L
E**

SECTION 2 TURNTABLE

FIGURE 2-9. DEUTZ ENGINE INSTALLATION - WITH NOISE REDUCTION
(S/N 0300028190 TO S/N 0300069000)

SECTION 2 TURNTABLE



SECTION 2 TURNTABLE

FIGURE 2-9. DEUTZ ENGINE INSTALLATION - WITH NOISE REDUCTION (S/N 0300028190 TO S/N 0300069000)

FIG & ITEM #	PART NUMBER	DESCRIPTION	QTY.	REV.
		ENGINE ASSEMBLY & INSTALLATIONS	Ref.	
	0256757	Engine Assembly & Installation (Standard) (S/N 0300028190 to S/N 0300064249)	Ref.	9/H
	0270850	Engine Assembly & Installation - With ADE System (S/N 0300064249 to S/N 0300069000)	Ref.	8/G
1		Engine - Deutz F4M1011F Diesel Options:	1	
	2000146	Standard Machines		
	2000173	ADE System (S/N 0300028190 to S/N 0300065629)		
	2000189	ADE System (S/N 0300065629 to S/N 0300069000)		
2	4845404	Tray Engine	1	
3	3539872	Plate, Radiator Mounting	1	
4	3620033	Cooler, Oil	1	
5	2060025	Fan	1	
6	3600260	Piston Pump Assembly (See Figure 2-11 for Breakdown)	1	
7	1340060	Air Cleaner Assembly	1	
7A	7012664	Element	1	
8	0340041	Band, Mounting	2	
9	4640751	Valve, Oil Drain	1	
10	3600242	Gear Pump Assembly (See Figure 2-12 for Breakdown)	1	
11	3200378	Mount, Rubber Engine (Rear)	2	
12	3537420	Bracket, Engine Mounting - Rear	1	
13	3539971	Bracket, Engine Mounting - Front	1	
14	3537416	Support, Engine - Right	1	
15		Support, Engine - Left Options:	1	
	3537417	S/N 0300028190 to S/N 0300064394		
	4846479	S/N 0300064394 to S/N 0300068966		
	4846566	S/N 0300068966 to S/N 0300069000		
16	0400075	Battery	1	
17	0181727	Hold-Down, Battery	1	
18	0630498	Rod, Hold-Down	2	
19	3740067	Relay	2	
20	4567112	Tee, Air Intake Tube	1	
21	4360392	Switch, Restrictor Indicator	1	
22	2180798	Fitting	1	
23	3422448	Pin, Pivot	1	
24	3841143	Keeper, Pin	1	
25	3960389	Seal	5ft/1.5m	
26	0940070	Bumper, Rubber	1	
27		Hose, Oil Cooler - Left Options:	1	
	2720397	Hose 36in (S/N 0300028190 to S/N 0300034757)		
	2720398	Hose 30in (S/N 0300034757 to S/N 0300069000)		
28	2720398	Hose, Oil Cooler - Right (30in)	1	
29	1703162	Nameplate - Fan Caution	2	
30	1320016	Clamp, Hose	4	
31	2901392	Throttle Mounting Kit (S/N 0300028190 to S/N 0300064249)	1	
31A	7008833	Bracket, Throttle	1	

SECTION 2 TURNTABLE

FIGURE 2-9. DEUTZ ENGINE INSTALLATION - WITH NOISE REDUCTION (S/N 0300028190 TO S/N 0300069000) (CONTINUED)

SECTION 2 TURNTABLE

FIG & ITEM #	PART NUMBER	DESCRIPTION	QTY.	REV.
31B	7008835	Coupling, Ball Joint	1	
31C	7008836	Spring	1	
31D	7023340	Screw, Shoulder 3/8in x 3/8in (Not Shown)	A/R	
32	2220451	Fitting, Straight	2	
33	3931620	Capscrew, Socket Head 3/8in-16NC x 1-1/4in	2	
34		Bracket, Control Module Mounting Options:	1	
	0902243	S/N 0300028190 to S/N 0300044158		
	0902511	S/N 0300044158 to S/N 0300064394		
35	0641818	Bolt 1/2in-13NC x 2-1/4in	2	
36	3311805	Locknut 1/2in-13NC	4	
37	0641610	Bolt 3/8-16NC x 1-1/4in	A/R	
38	3311605	Locknut 3/8in-16NC	A/R	
39	4751600	Flatwasher 3/8in Regular	A/R	
40	0701414	Bolt 1/4in-20NC x 3/4in	A/R	
41	4891600	Washer, Hardened 3/8in	2	
42	0641407	Bolt 1/4in-20NC x 7/8in	A/R	
43	4751400	Flatwasher 1/4in Regular	A/R	
44	3311405	Locknut 1/4in-20NC	A/R	
45	0721005	Bolt #10-24NC x 5/8in (S/N 0300028190 to S/N 0300064249)	2	
46	3321005	Locknut #10-24NC (S/N 0300028190 to S/N 0300064249)	2	
47	4751000	Flatwasher #10 Regular (S/N 0300028190 to S/N 0300064249)	2	
48	1320022	Clamp, Hose	6	
49	2220273	Fitting, Reducer	2	
50	2180536	Fitting, Straight	1	
51	2220313	Fitting, 90°	1	
52	2750532	Hose 3/8in	6ft./1.83m	
53	2220250	Fitting, Reducer	1	
54	2220459	Fitting, 90°	1	
55	2720271	Hose 3/16in	15ft./4.6m	
56	0641812	Bolt 1/2in-13NC x 1-1/2in	4	
57	0100020	Sealant, Thread	A/R	
58	0100011	Compound, Locking	A/R	
59	Not Used			
60		Coupling, Rubber Intake Options:	A/R	
	2720351	S/N 0300028190 to S/N 0300067977	6in./15cm	
	2720449	S/N 0300067977 to S/N 0300069000	1	
61	0700808	Bolt M8 x 16mm	4	
62	Use 2910000	Actuator Assembly (was p/n 0060033) (See Section 7 for Breakdown) (S/N 0300028190 to S/N 0300064249)	1	
63	0641507	Bolt 5/16in-18NC x 7/8in	A/R	
64	3380428	Panel, Rubber	1	
65	2720434	Elbow, Rubber	1	
66	4845395	Air Intake Adapter Weldment	1	
67	0641510	Bolt 5/16in-18NC x 1-1/4in	3	
68	3311505	Locknut 5/16in-18NC	7	
69	0961986	Bushing, Flanged	2	

SECTION 2 TURNTABLE

FIGURE 2-9. DEUTZ ENGINE INSTALLATION - WITH NOISE REDUCTION (S/N 0300028190 TO S/N 0300069000) (CONTINUED)

FIG & ITEM #	PART NUMBER	DESCRIPTION	QTY.	REV.
70	2901358	Battery Cable Kit (Standard)	1	
70A	7016800	Cable, Battery (Red)	1	
70B	7016812	Cable, Battery (Black)	1	
70C	7016802	Cable (Red)	1	
70D	7016803	Cable (Red)	1	
70E	7016804	Cable (Red)	1	
70F	Not Required			
71	4460611	Terminal, Battery Jumper Post	1	
72	4360294	Breaker, Circuit - 30 Amp (S/N 0300028190 to S/N 0300064249)	1	
73	1320222	J-Clip 3/8in	1	
74	1320223	J-Clip 1/2in	3	
75	0641606	Bolt 3/8in-16NC x 3/4in	3	
76	3422532	Pin, Hitch	1	
77	3790152	O-Ring	1	
78	3960407	Gasket	1	
79	4791400	Starwasher 1/4in	4	
80	0701012	Bolt, Metric M10 x 25mm	4	
81	0701015	Bolt, Metric M10 x 35mm	4	
82	0642010	Bolt 5/8in-11NC x 1-1/4in	1	
83	4752000	Flatwasher 5/8in Regular	1	
84	1701505	Decal - Diesel (Not Shown - Located on Hood)	1	
85	2720058	Hose	16ft/4.9m	
86	2220794	Fitting, Barbed	1	
87	4711600	Flatwasher 3/8in Thin	3	
88	1320031	Clamp (S/N 0300028190 to S/N 0300042668 Only)	2	
89	3200362	Mount, Rubber Engine (Front)	2	
90	4711400	Flatwasher 1/4in Thin	1	
91	3960468	Seal, Foam Gasket	1	
92	3960469	Seal, Foam Gasket	1	
93	1320060	Clamp, Hose (S/N 0300028190 to S/N 0300034757 Only)	1	
94	4060805	Flex-Trim 1/4in	2.9ft/0.88m	
95	4711900	Flatwasher 9/16in Thin	6	
96	4751800	Flatwasher 1/2in Regular	2	
97	1060637	Lanyard	1	
98	0641808	Bolt 1/2in-13NC x 1in	2	
99	3311801	Nut 1/2in-13NC	1	
100	3539956	Plate, Support	1	
101	2720423	Hose (S/N 0300028190 to S/N 0300042668 Only)	1	
102	1320131	Clamp (S/N 0300028190 to S/N 0300042668 Only)	2	
103		Tuning Tube Weldment Options:	1	
	4845394	S/N 0300028190 to S/N 0300042668		
	4567815	S/N 0300042668 to S/N 0300069000		
104	0641826	Bolt 1/2in-13NC x 3-1/4in	2	
105	4740274	Washer, Snubbing	4	
106	7019658	Fitting 90° W/Pick-Up Tube	1	

SECTION 2 TURNTABLE

SECTION 2 TURNTABLE

FIGURE 2-9. DEUTZ ENGINE INSTALLATION - WITH NOISE REDUCTION (S/N 0300028190 TO S/N 0300069000) (CONTINUED)

SECTION 2 TURNTABLE

FIG & ITEM #	PART NUMBER	DESCRIPTION	QTY.	REV.
		MUFFLER INSTALLATIONS	Ref.	
	0256689	Standard Equipment (Spark Arresting)	Ref.	—
	0256690	Optional Equipment (Catalytic)	Ref.	—
201		Muffler Options:	1	
	3220103	Spark Arresting		
	3220104	Catalytic		
		Clamp Options:	1	
	1320176	Muffler p/n 3220103		
	70001017	Muffler p/n 3220104		
	7024398	Tube, Exhaust	1	
	7024560	Plug, Brass	1	
	7020471	Gasket	4	
	2000146	ENGINE COMPONENTS (S/N 0300028190 TO S/N 0300064249)	Ref.	
301	8320270	Filter, Fuel (was p/n 7016639)	1	
302	7000663	Alternator (was p/ns 7016329, 7020436 & 7020410)	1	
303	7016330	Switch, Oil Pressure	1	
304	7016331	Filter, Oil (was p/n 7016641)	1	
	70002813	Gasket, Filter Head to Engine Block	1	
305	7016332	Starter	1	
306	7026631	Dipstick, Engine Oil (was p/ns 7019664 & 7016640) (Not Shown)	1	
	70001002	Tube, Oil Dipstick (was p/n 7019664) (Not Shown)	1	
307	7020025	Switch, Engine Temperature	1	
308	7020414	V-Belt	1	
309		Gasket, Cylinder Head Options (Not Shown):	1	
	70001681	1 Notch		
	70002411	2 Notches		
	70002530	3 Notches		
	7020431	Gasket, Valve Cover (Not Shown)	1	
310	7000699	Seal (Doughnut)	1	
	7020471	Gasket (Muffler to Head)	4	
	See Note	Nut, Muffler Attaching (Note: Not Available for Purchase)	8	
311	7019607	Shutdown, Throttle (was p/n 7016359) (Not Shown)	1	
312	7012599	Pump, Fuel Injection	4	
	7020427	Injector, Fuel (Not Shown)	4	
	7020425	Nozzle (Not Shown)	4	
313	7020463	Pump, Fuel Supply	1	
	7020419	Hose, Fuel Return	1	
314	7020027	Flywheel/Ring Gear Assembly (Not Shown)	1	
	7020477	Ring Gear Only (Not Shown)	1	
315	7020404	Washer, Oil Drain Plug (Not Shown)	1	
316	7027250	Spring, Actuator (Not Shown)	1	
317	7020465	Cap, Oil Fill (Not Shown - Located on Top and Left Sides)	2	

SECTION 2 TURNTABLE

FIGURE 2-9. DEUTZ ENGINE INSTALLATION - WITH NOISE REDUCTION (S/N 0300028190 TO S/N 0300069000) (CONTINUED)

FIG & ITEM #	PART NUMBER	DESCRIPTION	QTY.	REV.
	2000173	ENGINE COMPONENTS (S/N 0300064249 to S/N 0300065629)	Ref.	
	2000189	ENGINE COMPONENTS (S/N 0300065629 to S/N 0300069000)	Ref.	
351	8320270	Filter, Fuel (was p/n 7016328)	1	
352	7000663	Alternator (was p/n 7020410)	1	
	70003556	Pulley, Alternator		
	7020464	Regulator, Voltage	1	
	70002234	Bracket, Adjustable	1	
353	7020461	Switch, Oil Pressure	1	
354	7016331	Filter, Oil	1	
355		Starter Options:	1	
	7016332	2000173 Engine		
	7020479	2000189 Engine		
	See Note	Relay (Note: Not Available for Purchase)	1	
	7026608	Bolt, Starter Mounting	2	
	70001498	Shield, Starter Heat (Not Shown)	1	
356	7026631	Dipstick Oil Level (Not Shown)	1	
	7020487	Seal, Dipstick (Not Shown)	1	
	70001002	Tube, Dipstick		
357	7020168	Switch, Engine Temperature	1	
	7020480	Seal, Temp Switch (Not Shown)	1	
358	7020408	V-Belt	1	
359	7020458	Fuel, Solenoid	1	
360	7020462	Fuel Injection Pump	4	
	7026522	Injector, Fuel (Includes Nozzle Element) (Not Shown)	4	
361		Fuel Pump Supply Options:	1	
	7020463	2000173 Engine		
	7020463	2000189 Engine (was p/n 7024413)		
	7020411	Seal, Pump to Block (Not Shown)	1	
362	7020465	Cap, Oil Fill (Not Shown - Located on Top and Left Sides)	2	
363	7020474	Pump, Oil Lube (Not Shown - Located on Left Side)	1	
	7020468	Ring, Pump Sealing	1	
364	7020449	Gasket, Intake Manifold to Engine Block (Not Shown)	4	
365		Sensor, Tach (Not Shown - Located on Flywheel Housing)	1	
	7024565	2000173 Engine		
	Use 7024565	2000189 Engine (was p/n 7020481)		
366	7020458	Actuator, Throttle (Not Shown)	1	
	7026607	Spring, Actuator (was p/n 7027276)	1	
367	7020471	Gasket, Exhaust Manifold to Engine Block	4	
368	70001423	Head, Fuel Filter	1	
369		Gasket, Head Options (Not Shown):	1	
	70001681	1 Notch Gasket		
	70002411	2 Notch Gasket		
	70002530	3 Notches		

SECTION 2 TURNTABLE

SECTION 2 TURNTABLE

FIGURE 2-9. DEUTZ ENGINE INSTALLATION - WITH NOISE REDUCTION (S/N 0300028190 TO S/N 0300069000) (CONTINUED)

SECTION 2 TURNTABLE

FIG & ITEM #	PART NUMBER	DESCRIPTION	QTY.	REV.
370	7020027 See Note	Flywheel (Not Shown) 2000173 Engine 2000189 Engine (Note: Not Available for Purchase)	1	
	0256847	PUMP COUPLING INSTALLATION	Ref.	—
401	1660234	Coupling, Hayes	1	
402	0080163	Plate, Pump Adapter	1	
403	0700810	Bolt M8 x 20mm	6	
404	4831900	Lockwasher M8	6	
405	Not Used			
406	4832000	Lockwasher M10	8	
407	3020021	Grease, Coupling	A/R	

SECTION 2 TURNTABLE

FIGURE 2-9. DEUTZ ENGINE INSTALLATION - WITH NOISE REDUCTION (S/N 0300028190 TO S/N 0300069000) (CONTINUED)

FIG & ITEM #	PART NUMBER	DESCRIPTION	QTY.	REV.

**S
E
C
T
I
O
N

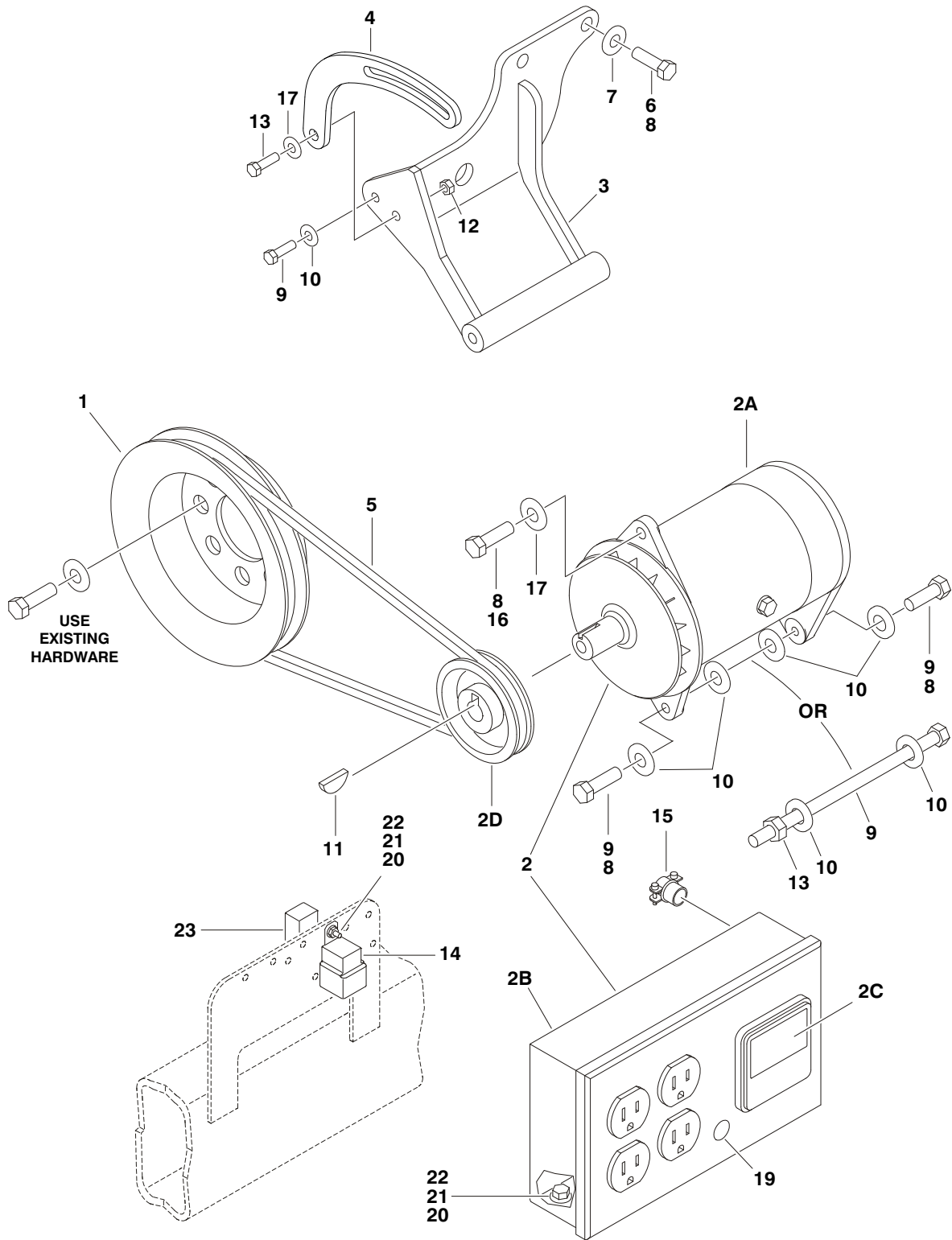
2

T
U
R
N
T
A
B
L
E**

SECTION 2 TURNTABLE

FIGURE 2-10. GENERATOR INSTALLATION (OPTIONAL - DEUTZ ENGINE MACHINES)

SECTION 2 TURNTABLE



SECTION 2 TURNTABLE

FIGURE 2-10. GENERATOR INSTALLATION (OPTIONAL - DEUTZ ENGINE MACHINES)

FIG & ITEM #	PART NUMBER	DESCRIPTION	QTY.	REV.
		GENERATOR INSTALLATION OPTIONS:	Ref.	
		Note: Numbered Colored Wiring starts after S/N 0300035129.	Ref.	
	0255396	110V Generator (Prior to S/N 0300035129)	Ref.	3
	0257853	110V Generator (S/N 0300035129 to S/N 0300064249)	Ref.	3
	0271544	110V Generator - ADE System (S/N 0300064249 to S/N 0300068966)	Ref.	3
	0272480	110V Generator - ADE System (S/N 0300068966 to S/N 0300069000)	Ref.	2
	0272293	110V 50Hz Generator - ADE System (S/N 0300063865 to S/N 0300066587)	Ref.	1
	0272482	110V 50Hz Generator - ADE System (S/N 0300066587 to S/N 0300069000)	Ref.	1
	0257160	220V Generator (Prior to S/N 0300035129)	Ref.	2
	0257857	220V Generator (S/N 0300035129 to S/N 0300064249)	Ref.	4
	0271547	220V Generator - ADE System (S/N 0300064249 to S/N 0300068966)	Ref.	3
	0272481	220V Generator - ADE System (S/N 0300068966 to S/N 0300069000)	Ref.	2
1	3580158	Pulley	1	
2		Generator and Control Box Assembly Options:	1	
	2460011	110V/60Hz Assembly (Prior to S/N 0300066056)		I
	2460032	110V/60Hz Assembly (S/N 0300066056 to S/N 0300069000)		C
	2460039	110V/50Hz Assembly (S/N 0300063865 to S/N 0300069000)		B
	2460013	220V Assembly (Prior to S/N 0300066056)		B
	2460034	220V Assembly (S/N 0300066056 to S/N 0300068966)		B
	2460013	220V Assembly (S/N 0300068966 to S/N 0300069000)		B
2A		Generator, Replacement Options:	1	
	7012558	110V/60Hz Generator Only		
	2460049	110V/50Hz Generator Only		
	1001100321	220 Volt Generator Only		
		Note: Replacement Generators come standard with p/n 3580134 pulley. This pulley may not be correct for all applications. Refer to pulley options below.	Ref.	
	7020193	Cord, Power - 12ft Length	1	
		Armature with Slip Rings Options:		
	7026199	Armature for 110 Volt		
	70000123	Armature for 220 Volt		
	7020108	Brushes	4	
	7020109	Holder, Brush	4	
	7012513	Cap, Brush Holder	4	
	7012514	Fan	1	
	7020110	Bell, Front	1	
	7020111	Bell, Rear	1	
	7020190	Bearing	2	

SECTION 2 TURNTABLE

SECTION 2 TURNTABLE

**FIGURE 2-10. GENERATOR INSTALLATION (OPTIONAL - DEUTZ ENGINE MACHINES)
(CONTINUED)**

FIG & ITEM #	PART NUMBER	DESCRIPTION	QTY.	REV.
2B		Box, Control Options:	1	
	70002239	110V/50Hz Control Box Only		
	7003657	110V/60Hz Control Box Only		
	70002235	220V Control Box Only		
	3520028	Plug, Hole	1	
		Receptacle Options:	A/R	
	4460190	Receptacle, Standard (110V Only)	1	
	4460027	Receptacle, Twistlock (110V Only)	1	
	70000124	Receptacle, Double (220V Only)	1	
	70000125	Receptacle, Single (220V Only)	1	
		Circuit Breaker Options:	1	
	70002240	Circuit Breaker for 110V/50Hz		
	4360542	Circuit Breaker for 110V/60Hz		
	7000126	Circuit Breaker for 220V	1	
	7020191	Switch, Toggle	1	
2920162	Lamp	1		
2C		Voltmeter Options:	1	
	2420203	Voltmeter for 110 Volt		
	7020192	Voltmeter for 220 Volt		
2D		Pulley Options:	1	
	3580134	Pulley 110V/50Hz		
	3580134	Pulley 110V/60Hz (Prior to S/N 0300066056)		
	3580276	Pulley 110V/60Hz (S/N 0300066056 to S/N 0300069000)		
	3580134	Pulley 220V (Prior to S/N 0300066056)		
	3580276	Pulley 220V (S/N 0300066056 to S/N 0300068966)		
	3580134	Pulley 220V (S/N 0300068966 to S/N 0300069000)		
	7027887	Key, Woodruff	1	
3		Bracket, Generator Mounting Options:	1	
	4845184	Prior to S/N 0300034200		
	4845531	S/N 0300034200 to S/N 0300064394		
4		Arm, Adjusting Options:	1	
	0200530	Prior to S/N 0300064394		
	0200741	S/N 0300064394 to S/N 0300068966		
	0200742	S/N 0300068966 to S/N 0300069000		
5		V-Belt Option:	1	
	0480050	Prior to S/N 0300064394		
	0480119	S/N 0300064394 to S/N 0300066056		
	0480111	S/N 0300066056 to S/N 0300068966		
	0480121	S/N 0300068966 to S/N 0300069000		
6	0711414	Bolt, Metric 14mm x 30mm (Prior to S/N 0300064394)	2	
7		Hardware Options:	A/R	
	4751900	Flatwasher 9/16in Regular (Prior to S/N 0300064394)	2	
	0641610	Bolt 3/8in-16NC x 1-1/2in (S/N 0300064394 to S/N 0300069000)	1	
8	0100011	Compound, Locking	A/R	

SECTION 2 TURNTABLE

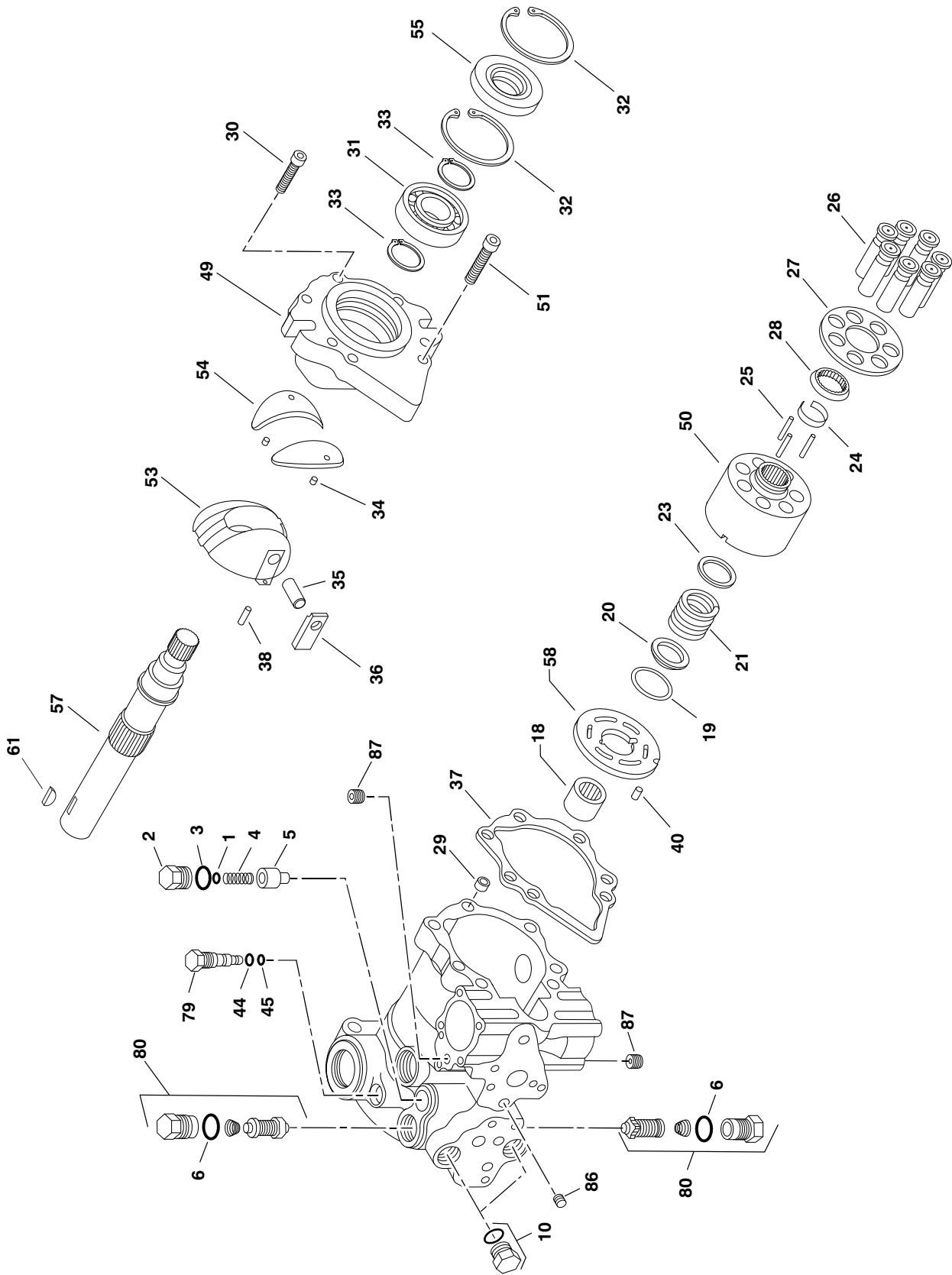
**FIGURE 2-10. GENERATOR INSTALLATION (OPTIONAL - DEUTZ ENGINE MACHINES)
(CONTINUED)**

FIG & ITEM #	PART NUMBER	DESCRIPTION	QTY.	REV.
9		Bolt Options:	A/R	
	0681612	Bolt 3/8in-16NC x 1-1/2in (Grade 8) (Prior to S/N 0300064394)	3	
	0641772	Bolt 7/16in-14NC x 9in (S/N 0300064394 to S/N 0300069000)	1	
10	4751600	Flatwasher 3/8in Regular	6	
11	2860012	Key, Woodruff	1	
12	3311605	Locknut 3/8in-16NC	1	
13		Hardware Options:	A/R	
	0700819	Bolt, Metric 8mm x 55mm (Prior to S/N 0300064394)	1	
	3311705	Locknut 7/16in-14NC (S/N 0300064394 to S/N 0300069000)	1	
14	3740080	Relay	1	
15	4460023	Connector, Strain Relief	1	
16	0641508	Bolt 5/16in-18NC x 1in	1	
17	4751500	Flatwasher 5/16in Regular	A/R	
18	Not Used			
19	3520028	Plug, Hole	1	
20	0721006	Bolt #10-24NC x 3/4in	4	
21	3311005	Locknut #10-24NC	4	
22	4751000	Flatwasher #10 Regular	9	
23	4360294	Breaker, Circuit - 30 Amp	1	
24	Not Used			
25	4360336	Switch, Toggle (Not Shown - Located at Platform)	1	
26	4740397	Bushing (Not Shown - Located at Platform)	1	
27	4060802	Guard, Switch (Not Shown - Located at Platform)	1	
28	Not Used			
29	2820031	Heatshrink (Not Shown - Located at Platform)	4in/10cm	
30	3251102	Decal (Not Shown - Located at Platform)	1	
31	1705325	Decal - 120V 50Hz Only (Not Shown - Located at Control Box)	1	

SECTION 2 TURNTABLE

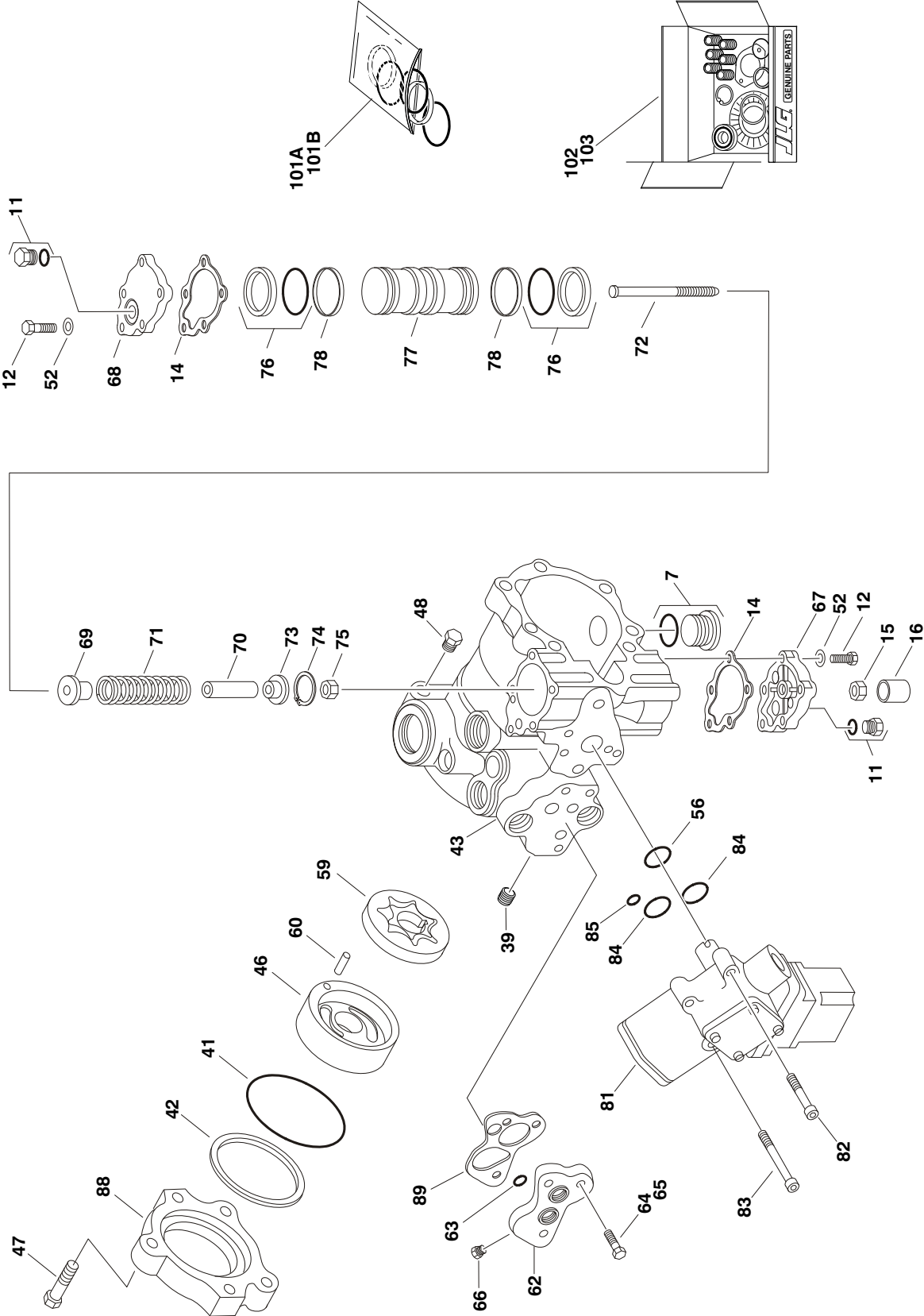
SECTION 2 TURNTABLE

FIGURE 2-11. PISTON PUMP ASSEMBLY.



SECTION 2 TURNTABLE

SECTION 2 TURNTABLE



SECTION 2 TURNTABLE

SECTION 2 TURNTABLE

FIGURE 2-11. PISTON PUMP ASSEMBLY.

SECTION 2 TURNTABLE

FIG & ITEM #	PART NUMBER	DESCRIPTION	QTY.	REV.
		PISTON PUMP ASSEMBLIES	Ref.	
	3600164	13 Tooth Pump Spline (Prior to S/N 0300029318)	Ref.	A
	3600260	15 Tooth Pump Spline (S/N 0300029318 to S/N 0300069000)	Ref.	—
1	7007413	Shim Kit	1	
2	7007414	Plug	1	
3	Use 2900752	O-Ring	1	
4	7007416	Spring, Relief Valve	1	
5	7007417	Valve, Relief	1	
6	Use 2900752	O-Ring	2	
7	7007419	Plug	2	
8 to 9	Not Used			
10	7007420	Plug	2	
11	7007208	Plug	2	
12	7007421	Screw	10	
13	Not Used			
14	Use 2900752	Gasket, Servo Cover	2	
15	7007423	Nut, Special	1	
16	7007424	Cover, Adjustment	1	
17	Not Used			
18	7007425	Bearing, Needle	1	
19	Use 2900827	Ring, Retaining	1	
20	Use 2900827	Washer	1	
21	Use 2900827	Spring	1	
22	Not Used			
23	Use 2900827	Washer	1	
24	Use 2900827	Retainer	1	
25	Use 2900827	Pin, Slipper Holddown	3	
26	Use 2900827	Piston Assembly	7	
27	Use 2900827	Retainer, Slipper	1	
28	Use 2900827	Guide, Retainer	1	
29	7007435	Pin, Spring	1	
30	7007436	Screw, 12 Point Head	1	
31	7007437	Bearing, Ball	1	
32	7007438	Ring, Retainer	2	
33	7007439	Ring	2	
34	7007440	Pin, Spring	2	
35	7007441	Handle, Pin	1	
36	7007442	Sleeve, Bearing	1	
37	Use 2900752	Gasket, Front Cover	1	
38	7007444	Pin	1	
39	7007445	Plug, Expansion	1	
40	Use 2900827	Pin	1	
41	See Note	O-Ring (Note: Use Item 101A or 102)	1	
42	See Note	Ring, Load Temper (Note: Use Item 101A or 102)	1	
43	7007449	Housing, Pump	1	
44	Use 2900752	Ring, Back-Up	1	
45	Use 2900752	O-Ring	1	

SECTION 2 TURNTABLE

FIGURE 2-11. PISTON PUMP ASSEMBLY. (CONTINUED)

FIG & ITEM #	PART NUMBER	DESCRIPTION	QTY.	REV.
46	Use 2900826	Cover, Gerotor	1	
47	7007453	Bolt, Hex	3	
48	7007208	Plug	1	
49	7007454	Cover, Front	1	
50	Use 2900827	Block, Cylinder	1	
51	7007456	Screw	6	
52	7001438	Washer	10	
53	Use 2900827	Swashplate	1	
54	7007458	Journal, Bearing	1	
55	See Note	Seal, Lip (Note: Use Item 101A or 103)	1	
56	Use 2900752	O-Ring	1	
57		Shaft, Main Pump Options:	1	
	7007461	13 Tooth Spline (Prior to S/N 29318)		
	7010121	15 Tooth Spline (S/N 29318 to S/N 69000)		
58	7021214	Plate, Valve	1	
59	7007463	Gerotor Assembly	1	
60	Use 2900826	Pin	1	
61	Use 2900826	Key, Woodruff	1	
62	7007466	Adaptor, Remote Filtration (Without By-Pass)	1	
63	Use 2900752	O-Ring	3	
64	7007468	Screw	2	
65	7007469	Screw	2	
66	7007470	Plug	1	
67	7007471	Cover, Servo (With Adjuster)	1	
	7007490	Stop, Servo (Not Shown)	2	
	7007491	Nut, Special (Not Shown)	2	
	7007492	Ring, External (Not Shown)	2	
68	7007482	Cover, Servo (Without Adjuster)	1	
69	7007483	Guide, Spring	1	
70	7007484	Stop, Servo	1	
71	7007485	Spring	1	
72	7007486	Screw	1	
73	7007487	Guide, Spring	1	
74	7007488	Ring, Retaining	1	
75	7007499	Locknut	1	
76	See Note	Ring, Piston (Note: Use Item 101A or 101B)	2	
77	7007494	Piston, Servo	1	
78	See Note	O-Ring (Note: Use Item 101A or 101B)	2	
79	7007472	Valve, Bypass	1	
80	Use 7010122	Valve, Pressure Relief (Includes Item 6) (was p/n 7007473)	2	
81	7007474	Control, Dual Oil-Filled	1	
	7007496	Coil Assembly (Pilot)	1	
	7007497	Plug (Pump)	1	
	7007498	Plug (Valve Harness)	1	
82	7007478	Screw	2	
83	7001498	Screw	2	
84	Use 2900752	O-Ring	2	
85	Use 2900752	O-Ring	1	
86	7007475	Plug, Orifice/Screen (.156)	1	

SECTION 2 TURNTABLE

FIGURE 2-11. PISTON PUMP ASSEMBLY. (CONTINUED)

SECTION 2 TURNTABLE

FIG & ITEM #	PART NUMBER	DESCRIPTION	QTY.	REV.
87	7007477	Plug, Orifice (.37)	2	
88	7007476	Adapter, Auxiliary Pump	1	
89	7010120	Spacer/Gasket	1	
90 to 100	Not Used			
101		Seal Kit Options:		
101A	2900752	Complete (Includes Items 3, 6, 14, 37, 41, 42, 44, 45, 55, 56, 63, 76, 78, 84 & 85)	1	
101B	7007412	Servo Piston (Includes Items 76 & 78)	1	
102	2900826	Charge Pump Kit (Includes Items 41,42,46,59,60 & 61)	1	
103	2900827	Cylinder Block Kit (Includes Items 19-28,40,50,53,55 & 58)	1	

SECTION 2 TURNTABLE

FIGURE 2-11. PISTON PUMP ASSEMBLY. (CONTINUED)

FIG & ITEM #	PART NUMBER	DESCRIPTION	QTY.	REV.

**S
E
C
T
I
O
N

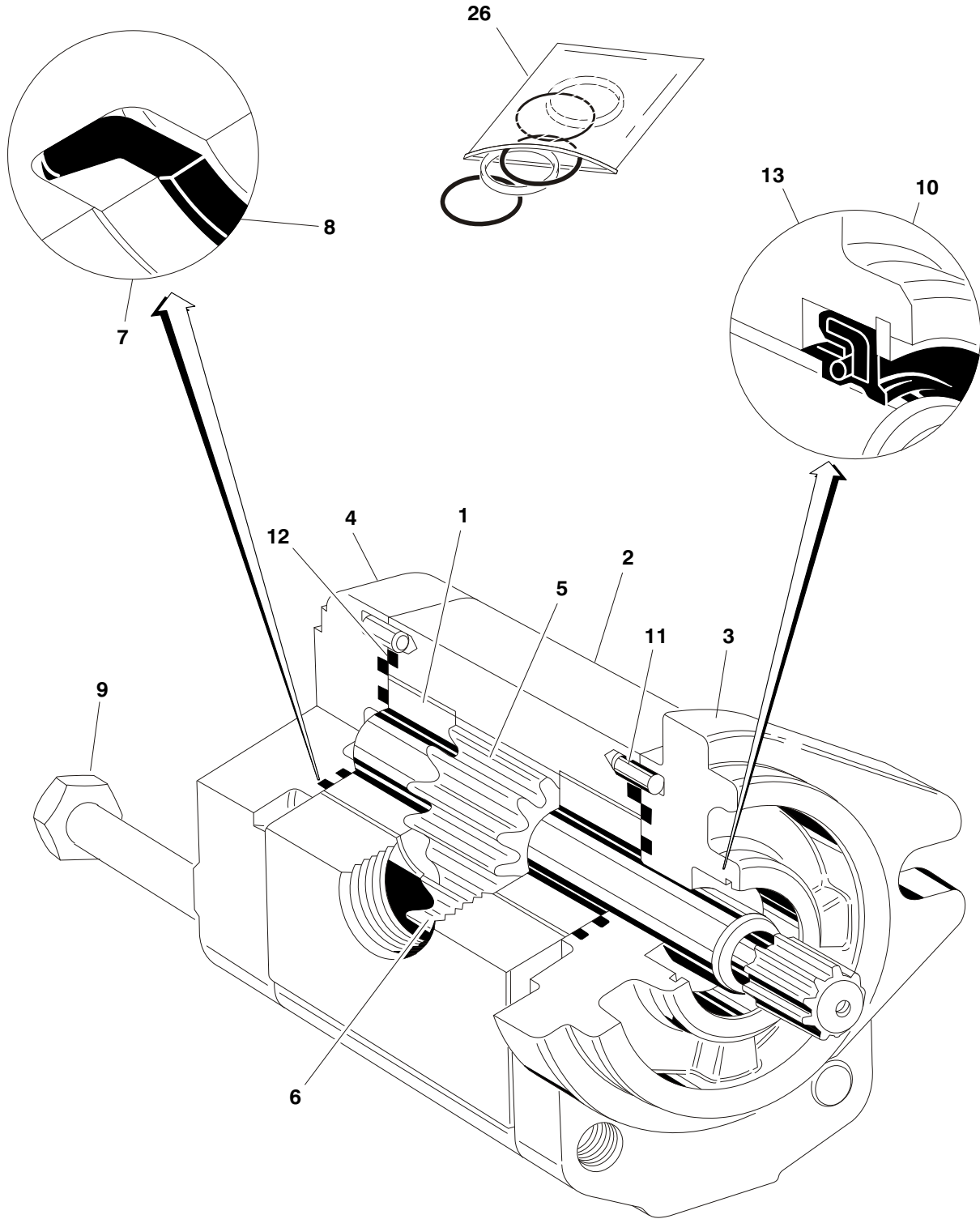
2

T
U
R
N
T
A
B
L
E**

SECTION 2 TURNTABLE

FIGURE 2-12. GEAR PUMP ASSEMBLY

SECTION 2 TURNTABLE



SECTION 2 TURNTABLE

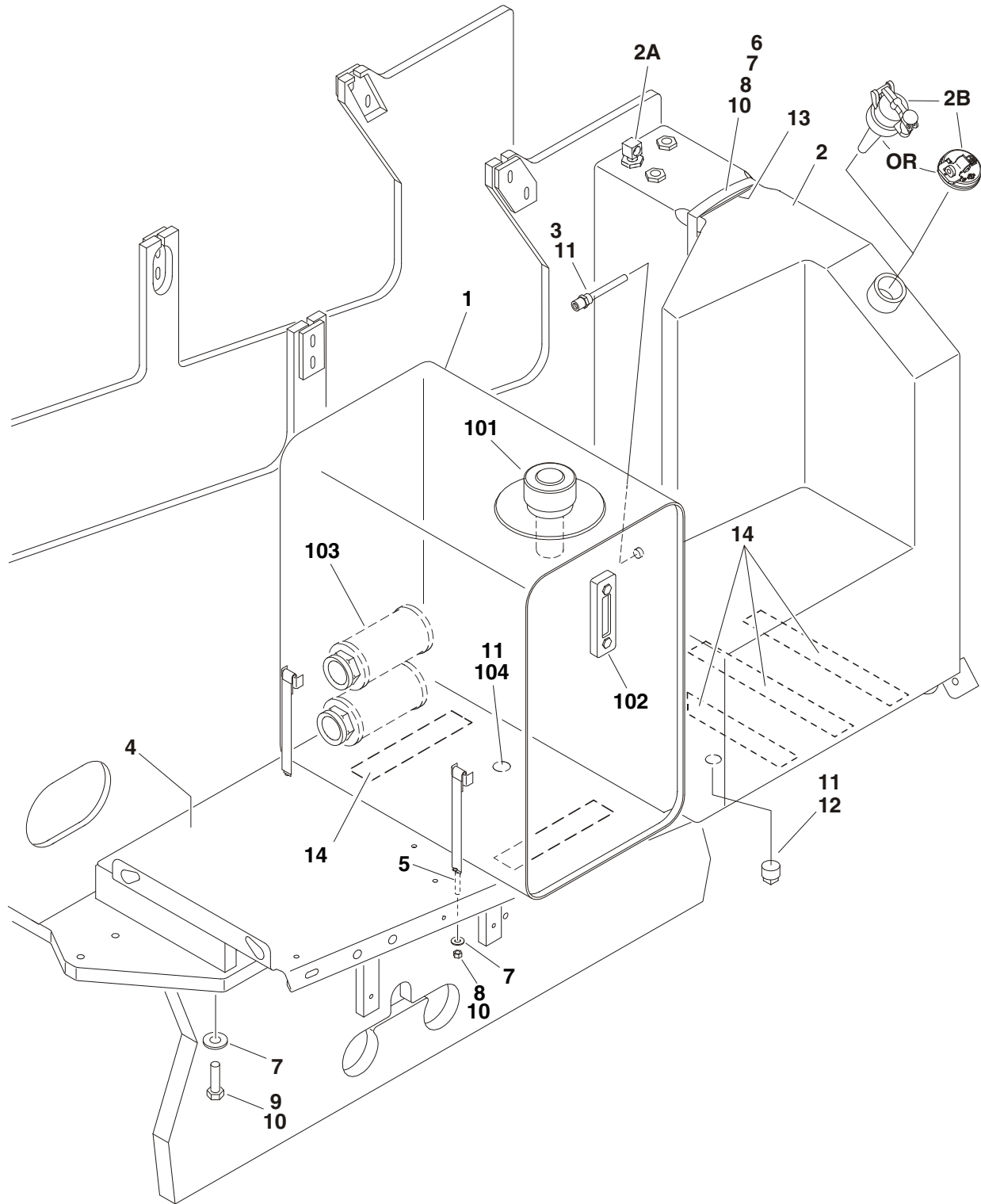
FIGURE 2-12. GEAR PUMP ASSEMBLY

FIG & ITEM #	PART NUMBER	DESCRIPTION	QTY.	REV.
	3600242	GEAR PUMP ASSEMBLY	Ref.	
1	7010105	Bearing/Bushing	2	
2	Use 3600242	Housing (Note: Not Available for Purchase)	1	
3	Use 3600242	Flange (Note: Not Available for Purchase)	1	
4	7010103	Cover	1	
5	7012987	Gear, Drive	1	
6	7012988	Gear, Idler	1	
7	Use 7007489	Ring, Anti-Extrusion	2	
8	Use 7007489	Seal	2	
9	See Note	Bolt (Note: Not Available for Purchase)	4	
10	7010104	Ring, Retaining	1	
11	See Note	Pin, Dowel (Note: Not Available for Purchase)	4	
12	Use 7007489	Seal, O-Ring	2	
13	Use 7007489	Seal, Shaft	1	
14 to 25	Not Used			
26	7007489	Seal Kit (Includes Items 7,8,12 & 13)	1	

SECTION 2 TURNTABLE

FIGURE 2-13. TANKS INSTALLATION

SECTION 2 TURNTABLE



SECTION 2 TURNTABLE

FIGURE 2-13. TANKS INSTALLATION

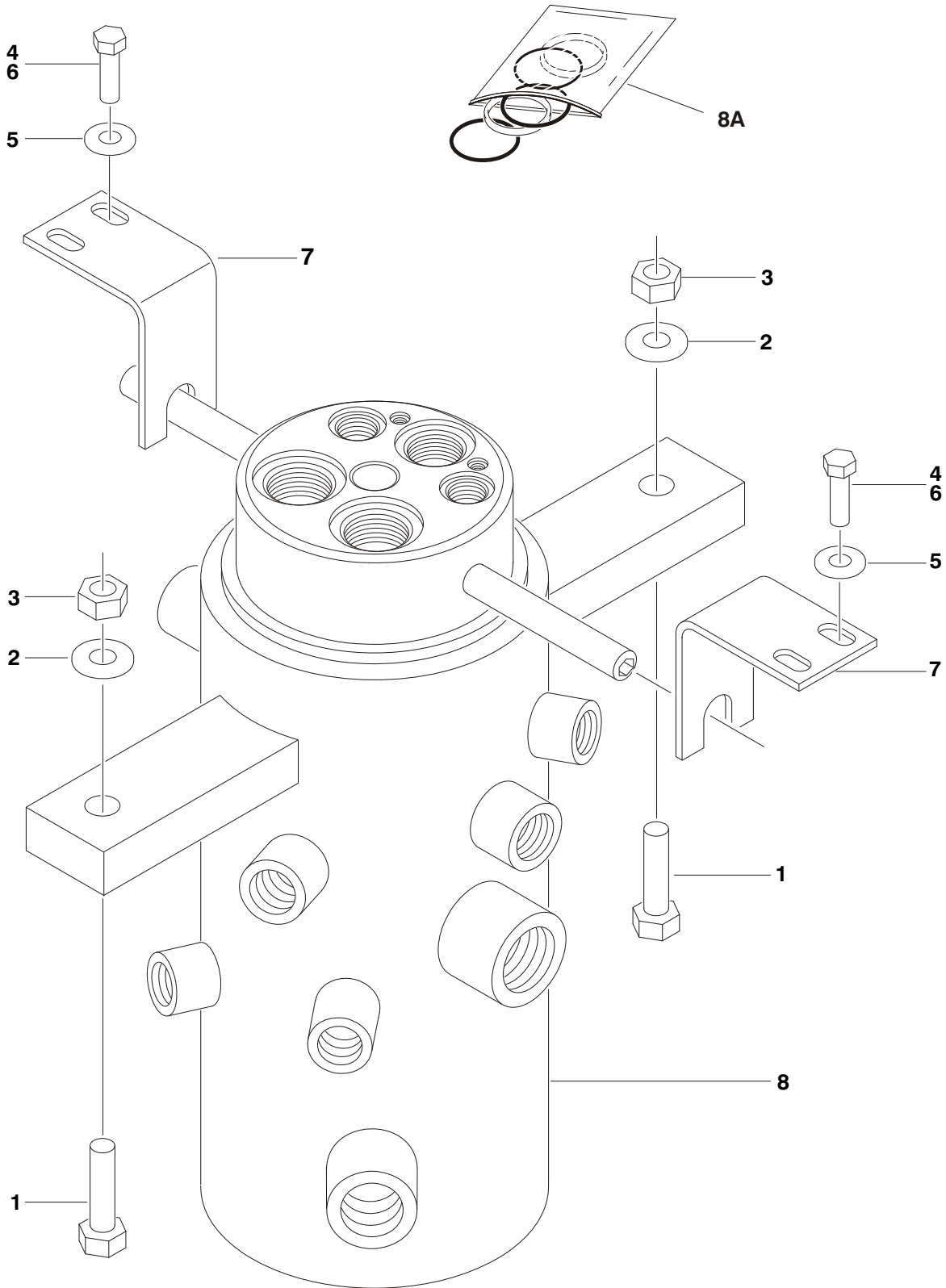
FIG & ITEM #	PART NUMBER	DESCRIPTION	QTY.	REV.
	0255409	TANKS INSTALLATION (STANDARD PARTS)	Ref.	6
	0257482	TANKS INSTALLATION (WITH LOCKING CAP)	Ref.	1
1	4400372	Hydraulic Tank Assembly (See Items 101-104 for Breakdown)	1	
2		Tank, Fuel Options:	1	
	4400373	Prior to S/N 0300030687		
	4400399	S/N 0300030687 to S/N 0300069000		
2A	7019658	Fitting, 90° W/Pick-Up Tube	1	
2B		Cap Options:	1	
	7016314	Standard - Non-Locking (Part of Item 2)		
	1120487	Blue Locking Cap (Not Included with Tank - Purchase Separately)		
3	4360436	Switch, Fuel Level	1	
4	4844964	Hydraulic Tray Weldment	1	
5	4240112	Strap, Tank	4	
6	4240102	Strap, Tank	1	
7	4751600	Flatwasher 3/8in Regular	12	
8	3311601	Nut 3/8in-16NC	6	
9	0641614	Bolt 3/8in-16NC x 1-3/4in	6	
10	0100011	Compound, Locking	A/R	
11	0100079	Sealant, Pipe	A/R	
12	2200222	Fitting	1	
13	4280295	Strip, Protective	25in/44cm	
14	4420038	Tape, Rubber	A/R	
	4400372	HYDRAULIC OIL TANK ASSEMBLY	Ref.	J
101		Filler/Breather Assembly Options:	1	
	7014803	Prior to June 1997		
	7014810	June 1997 to S/N 0300069000		
	7014811	Cap, Breather (Fits 7014803 and 7014810)	1	
102	7014802	Gauge, Sight	1	
103	7014801	Strainer	2	
104	7014800	Plug, Magnetic	1	

SECTION 2 TURNTABLE

SECTION 2 TURNTABLE

FIGURE 2-14. ROTARY COUPLING INSTALLATION

SECTION 2 TURNTABLE



SECTION 2 TURNTABLE

FIGURE 2-14. ROTARY COUPLING INSTALLATION

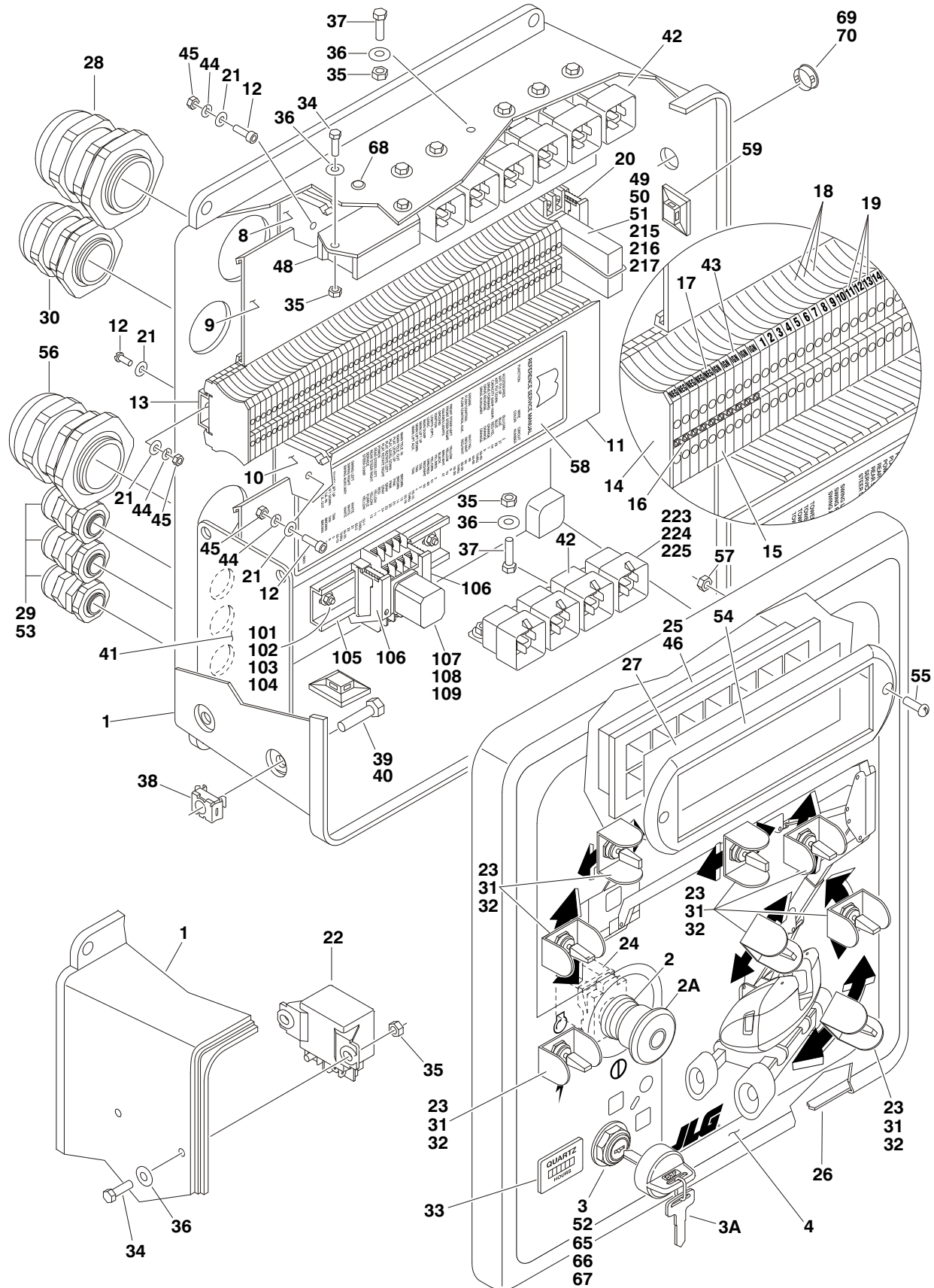
FIG & ITEM #	PART NUMBER	DESCRIPTION	QTY.	REV.
		ROTARY COUPLING INSTALLATIONS	Ref.	
	0255262	2WS	Ref.	5
	0255294	4WS	Ref.	2
1	0641820	Bolt 1/2in-13NC x 2-1/2in	2	
2	4751800	Flatwasher 1/2in Regular	4	
3	3311805	Locknut 1/2in-13NC	2	
4	0641611	Bolt 3/8in-16NC x 1-3/8in	4	
5	4751600	Flatwasher 3/8in Regular	4	
6	0100011	Compound, Locking	A/R	
7		Bracket	2	
	Use 0902520	Prior to S/N 0300041296 (was p/n 0902109)		
	0902520	S/N 0300041296 to S/N 0300069000		
8		Coupling, Rotary Options:	1	
	1660219	2WS		
	1660223	4WS		
8A		Seal Kit Options:	1	
	7013187	2WS		
	7016342	4WS		
		Rebuilt Coupling Options:		
	1660219RR	2WS		
	1660223RR	4WS		

SECTION 2 TURNTABLE

SECTION 2 TURNTABLE

FIGURE 2-15. GROUND CONTROL BOX INSTALLATIONS (PRIOR TO S/N 0300064249)

SECTION 2 TURNTABLE



SECTION 2 TURNTABLE

FIGURE 2-15. GROUND CONTROL BOX INSTALLATIONS (PRIOR TO S/N 0300064249)

FIG & ITEM #	PART NUMBER	DESCRIPTION	QTY.	REV.
		Note: Numbered Colored Wiring Starts with S/N 0300035129	Ref.	
		GROUND CONTROL BOX ASSEMBLY OPTIONS:	Ref.	
	0861044	600A (Prior to S/N 0300035129)	Ref.	3
	0861119	600A (S/N 0300035129 to S/N 0300064249)	Ref.	7
	0861045	600AJ (Prior to S/N 0300035129)	Ref.	3
	0861120	600AJ (S/N 0300035129 to S/N 0300064249)	Ref.	7
1		Box, Fiberglass Options:	1	
	0861018	Prior to S/N 0300035129		
	0861131	S/N 0300044645 to S/N 0300044652		
	0861302	S/N 0300044652 to S/N 0300064249		
2		Switch, Emergency Stop Options:	1	
	4360395	Prior to S/N 0300036019		
	4360289	S/N 0300036019 to S/N 0300044652		
	4360475	S/N 0300044652 to S/N 0300064249		
2A		Cap Options:	1	
	7016315	Cap, Red (Used on Switch p/n 4360395)		
	7012611	Cap, Mushroom Head (Used on Switch p/n 4360289)		
	7020175	Cap, Red (Used on Switch p/n 4360475)		
	7012612	Boot (Used on Switch p/n 4360289)	1	
	7020176	Block, Contact (Used on Switch p/n 4360475)		
3		Switch, Key Options:	1	
	4360319	Prior to S/N 0300044652		
	4360470	S/N 0300044652 to S/N 0300064249 (Common Key)		
3A	7012560	Key Replacement (Use with 4360319 Switch)	1 Set	
	2860030	Key Replacement (Use with 4360470 Common Key Switch)	1 Set	
4		Decal - Faceplate Options:	1	
	1702633	600A (Prior to S/N 0300035129)		
	1703467	600A (S/N 0300035129 to S/N 0300064249)		
	1702537	600AJ (Prior to S/N 0300035129)		
	1703468	600AJ (S/N 0300035129 to S/N 0300064249)		
5		Engine Harness Assembly (See Section 7 for Breakdown)	1	
	4921737	Deutz Engine Machines (Prior to S/N 0300035129)		
	4921925	Deutz Engine Machines (S/N 0300035129 to S/N 0300064249)		
6		Valve Harness Assembly Options: (See Section 7 for Breakdown)	1	
	4921739	Prior to S/N 0300026233		
	4921848	S/N 0300026233 to S/N 0300035129		
	4921922	S/N 0300035129 to S/N 0300064249		
7	Not Used			
8	1840012	Duct, Wiring - 2in/5cm	1	
9	1840013	Duct, Cover - 2in/5cm	1	
10	1840014	Duct, Wiring - 3in/7.6cm	1	
11	1840015	Duct, Cover - 3in/7.6cm	1	

SECTION 2 TURNTABLE

SECTION 2 TURNTABLE

**FIGURE 2-15. GROUND CONTROL BOX INSTALLATIONS (PRIOR TO S/N 0300064249)
(CONTINUED)**

FIG & ITEM #	PART NUMBER	DESCRIPTION	QTY.	REV.
12	3910608	Screw #6-32NC x 1/2in	6	
13	3640970	Rail	1	
14	4460602	Barrier, Terminal	1	
15	4460601	Block, Terminal	10	
16	4460603	Bussbar - 10 Position (Requires being cut into (2) 5 position bussbars)	1	
17	4460631	Marker, Terminal (Negative)	A/R	
18	4460600	Block, Terminal	A/R	
19	4460628	Marker, Terminal (1-50)	A/R	
20	4460607	Stop, Terminal	1	
21	4750600	Flatwasher #6 Regular	12	
22	3740112	Relay, Bosch	1	
23	4360314	Switch, Toggle	A/R	
24		Switch, Contact Block Options:	1	
	4360282	Prior to S/N 0300044652		
	4360476	S/N 0300044652 to S/N 0300064249		
25	2760105	Housing, Display Light	1	
	2920129	Bulb, Light	7	
	4120035	Socket, Light	7	
26	4420038	Insulation, Adhesive Foam	4in/10cm	
27	1702610	Decal - Ground Control Display	1	
28	4460526	Connector, Strain Relief	1	
29	4460428	Connector, Strain Relief	3	
30	4460426	Connector, Strain Relief	1	
31	4740444	Washer, Special	A/R	
32	4060906	Shield, Toggle Switch	A/R	
33	2420172	Gauge, Hourmeter	1	
34	0721005	Screw #10-24NC x 5/8in	A/R	
35	3311001	Nut #10-24NC (Prior to S/N 0300055241)	A/R	
36	4751000	Flatwasher #10 Regular	A/R	
37		Screw Options:	A/R	
	0721004	Screw #10-24NC (Prior to S/N 0300055241)		
	3900268	Screw #10-24NC x 1/2in (S/N 0300055241 to S/N 0300064249)		
38	3300205	Nut, Retainer	4	
39	0641506	Bolt 5/16in-18NC x 3/4in	4	
40	0100011	Compound, Locking	A/R	
41	3539219	Plate, Reinforcement	1	
42	3740049	Relay - SPDT	A/R	
43	4460630	Marker, Terminal (Ignition)	A/R	
44	4760600	Lockwasher #6	6	
45	3310601	Nut #6-32NC	6	
46	3700010	Reflector (Prior to S/N 0300027331 Only)	1	
47-51	Not Used			
52	3300390	Nut with Weather Resistant Boot (S/N 0300027331 to S/N 0300044652)	1	
53	3520054	Plug, Hole (S/N 0300028933 to S/N 0300035129)	1	
54	1670829	Bezel (S/N 0300035129 to S/N 0300069000)	1	

SECTION 2 TURNTABLE

SECTION 2 TURNTABLE

**FIGURE 2-15. GROUND CONTROL BOX INSTALLATIONS (PRIOR TO S/N 0300064249)
(CONTINUED)**

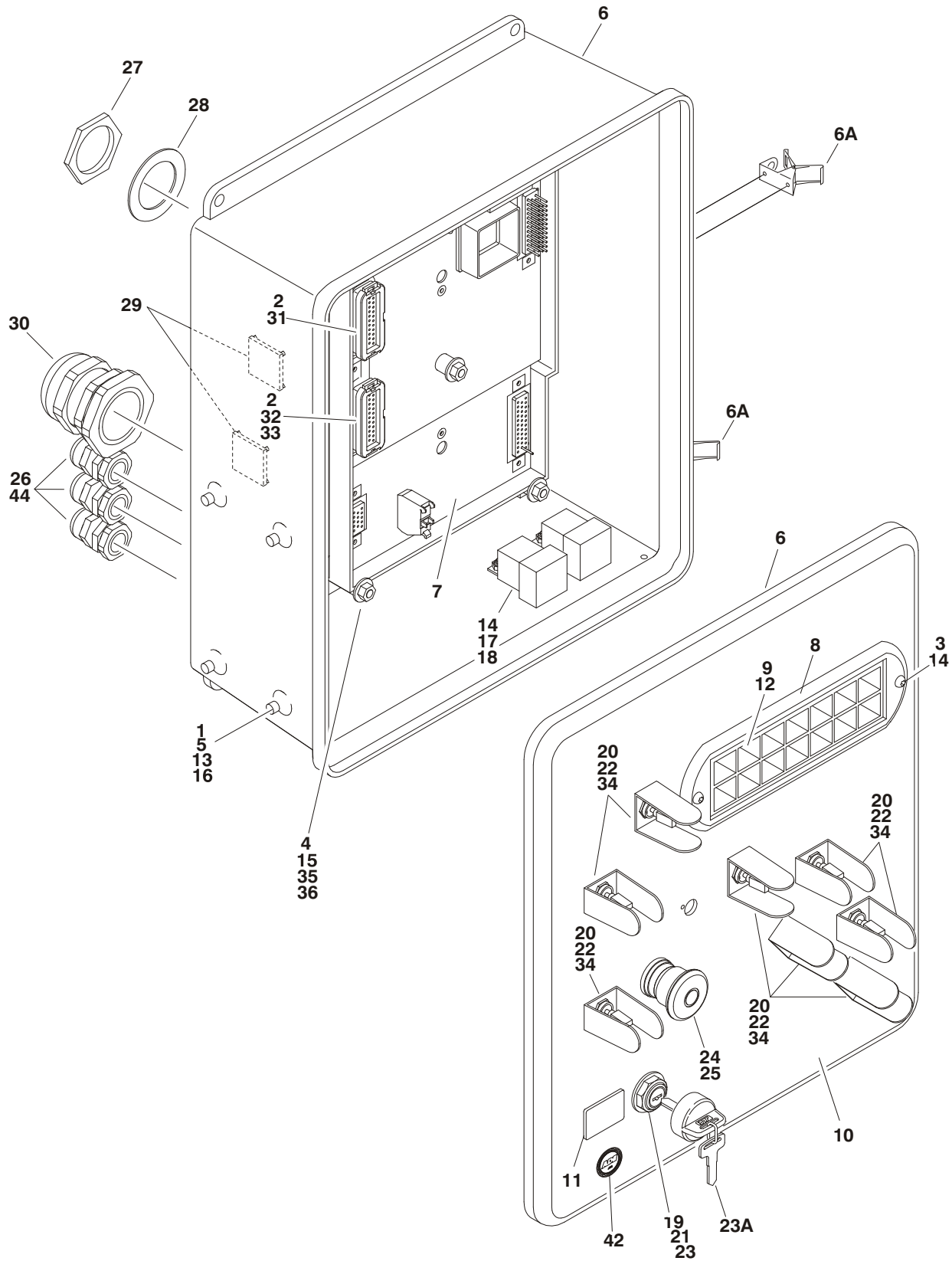
FIG & ITEM #	PART NUMBER	DESCRIPTION	QTY.	REV.
55	0630518	Capscrew, Button Head (S/N 0300035129 to S/N 0300064249)	2	
56		Connector, Strain Relief Options:	1	
	4460526	Prior to S/N 0300035129		
	4460711	S/N 0300035129 to S/N 0300069000		
57	3300408	Locknut, Plastic Insert (S/N 0300035129 to S/N 0300064249)	13	
58	1703622	Decal - Service Manual Reference (S/N 0300035129 to S/N 0300064249)	1	
59	4460234	Base, Tie-Strap (S/N 0300035129 to S/N 0300064249)	6	
60 to 64	Not Used			
65	4070991	Shim, .125 (S/N 0300044652 to S/N 0300064249)	1	
66	4070987	Shim, .015 (S/N 0300044652 to S/N 0300064249)	1	
67	3910804	Screw (S/N 0300044652 to S/N 0300064249)	6	
68	3520174	Plug (S/N 0300055241 to S/N 0300064249)	4	
69	0100009	Adhesive (S/N 0300055241 to S/N 0300064249)	A/R	
70	3520026	Plug (S/N 0300055241 to S/N 0300064249)	1	
		DRIVE CUT-OUT ELECTRICAL COMPONENTS (EN280 SPEC ONLY)	Ref.	-
101	3910608	Screw, Machine #6-32NC x 1/2in	2	
102	4750600	Flatwasher #6 Regular	2	
103	4760600	Lockwasher #6	2	
104	3310601	Nut #6-32NC	2	
105	3640493	Rail, Mounting	1	
106	4460607	Stop, Terminal	2	
107	4120013	Socket, Relay	1	
108	3740058	Relay	1	
109	3740063	Spring, Relay	1	
	0259233/ 0271474	BPE LOAD SENSING DEVICE INSTALLATION (FRENCH SPEC) (S/N 0300058378 TO S/N 0300064249)	Ref.	4/C 1/A
201 to 214	Not Used			
215	3740057	Relay	1	
216	4120012	Socket, Relay	1	
217	3740066	Spring, Relay	1	
218 to 222	Not Used			
223	3740049	Relay	1	
224	3300408	Locknut #10-24NC	1	
225	0721006	Screw #10-24NC x 3/4in	1	

SECTION 2 TURNTABLE

SECTION 2 TURNTABLE

FIGURE 2-16. GROUND CONTROL BOX INSTALLATIONS (ADE SYSTEM)
(S/N 0300064249 TO S/N 0300069000)

SECTION 2 TURNTABLE



SECTION 2 TURNTABLE

FIGURE 2-16. GROUND CONTROL BOX INSTALLATIONS (ADE SYSTEM) (S/N 0300064249 TO S/N 0300069000)

FIG & ITEM #	PART NUMBER	DESCRIPTION	QTY.	REV.
		GROUND CONTROL BOX ASSEMBLIES	Ref.	
		600A	Ref.	
	0861412	S/N 0300064249 to S/N 0300064270	Ref.	E
	0861472	S/N 0300064270 to S/N 0300069000	Ref.	E
		600AJ	Ref.	
	0861413	S/N 0300064249 to S/N 0300064270	Ref.	E
	0861473	S/N 0300064270 to S/N 0300069000	Ref.	D
1	0100011	Compound, Locking	A/R	
2	0100048	Grease, Dielectric	A/R	
3	0630518	Capscrew, Button Head	2	
4	0630548	Tap, Bolt 2 1/2in	5	
5	0641506	Bolt 5/16in-18NC x 3/4in	4	
6	0861407	Box, Fiberglass	1	
6A	7020246	Latch	2	
7		Module, Ground Control Options (Re-calibration Required when Replaced):	1	
	1600312	S/N 0300064249 to S/N 0300064270		
	Use 2915014	S/N 0300064270 to S/N 0300069000 (was p/n 1600327)		
8	1670829	Bezel	1	
9	1702610	Decal - Ground Control Display	1	
10		Decal - Faceplate Options:	1	
	1703467	600A		
	1703468	600AJ		
11	2420172	Gauge, Hourmeter	1	
12	2760105	Housing, Display Light	1	
13	3300205	Nut, Retainer	4	
14	3300408	Locknut, Plastic Insert	4	
15	3311401	Nut 1/4in-20NC	10	
16	3539219	Plate, Reinforcement	1	
17	3740049	Relay	2	
18	3900268	Screw, Flange #10 x 1/2in	2	
19	3910804	Screw #8-32NC x 1/4in	6	
20	4060906	Shield, Toggle Switch	8	
21	4070987	Shim (.125in)	1	
22	4360328	Switch, Toggle	8	
23	4360470	Switch, Key	1	
23A	2860030	Key Replacement	1	
24	4360475	Switch, Emergency Stop	1	
25	4360476	Switch, Contact Block	1	
26	4460426	Connector, Strain Relief	A/R	
27	4460470	Nut, Terminal	1	
28	4460471	Lockwasher, Terminal	1	
29	4460488	Mounting Base, Terminal	7	
30	4460526	Connector, Strain Relief	1	
31	4460874	Connector, Natural	1	

SECTION 2 TURNTABLE

FIGURE 2-16. GROUND CONTROL BOX INSTALLATIONS (ADE SYSTEM) (S/N 0300064249 TO S/N 0300069000) (CONTINUED)

SECTION 2 TURNTABLE

FIG & ITEM #	PART NUMBER	DESCRIPTION	QTY.	REV.
32	4460875	Connector, Gray	1	
33	4460905	Connector, Amp Seal Plug	4	
34	4740444	Washer, Special	8	
35	4751400	Flatwasher 1/4in Regular	20	
36	4761400	Lockwasher 1/4in	10	
37 to 39	Not Used			
40		Harness, Analyzer Cable Options: (Not Shown)	1	
	4922485	S/N 0300064249 to S/N 0300064270		
	4922666	S/N 0300064270 to S/N 0300069000		
41	Not Used			
42	1705132	Decal - Control ADE (S/N 0300066873 to S/N 0300069000)	1	
43	Not Used		1	
44	3520035	Plug, Cap (S/N 0300068131 to S/N 0300069000)		

SECTION 2 TURNTABLE

FIGURE 2-16. GROUND CONTROL BOX INSTALLATIONS (ADE SYSTEM) (S/N 0300064249 TO S/N 0300069000) (CONTINUED)

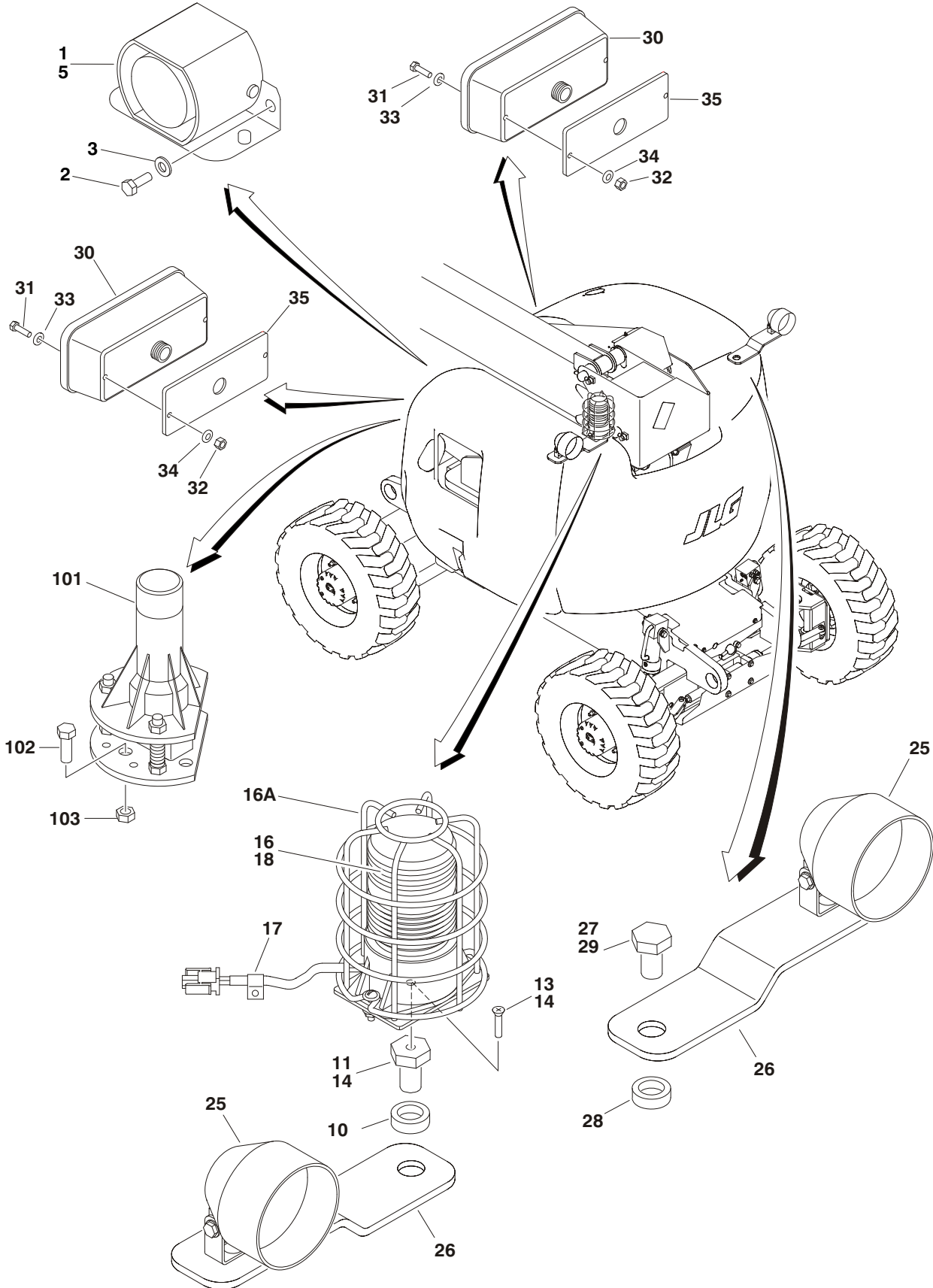
FIG & ITEM #	PART NUMBER	DESCRIPTION	QTY.	REV.

SECTION 2 TURNTABLE

SECTION 2 TURNTABLE

FIGURE 2-17. ELECTRICAL OPTIONS INSTALLATION (TURNTABLE MOUNTED)

SECTION 2 TURNTABLE



SECTION 2 TURNTABLE

FIGURE 2-17. ELECTRICAL OPTIONS INSTALLATION (TURNTABLE MOUNTED)

FIG & ITEM #	PART NUMBER	DESCRIPTION	QTY.	REV.
		ALARMS INSTALLATIONS	Ref.	
	0255368	Prior to S/N 0300035129	Ref.	2
	0257886	S/N 0300035129 to S/N 0300064249	Ref.	1
	0270833	S/N 0300064249 to S/N 0300069000 (ADE System)	Ref.	1
1		Alarm/Harness Assembly Options:	1	
	0255914	Prior to S/N 0300035129 (Colored Wiring)		
	0257886	S/N 0300035129 to S/N 0300069000 (Numbered Colored Wiring)		
2	0641406	Bolt 1/4in-20NC x 3/4in	2	
3	4711400	Flatwasher 1/4in Thin	2	
4	Not Used			
5	0100048	Sealant, Silicone	A/R	
6 to 9	Not Used			
		STROBE LIGHT INSTALLATIONS (AMBER) (OPTIONAL)	Ref.	
	0255393	Prior to S/N 0300035129 (Colored Wiring)	Ref.	1
	0257885	S/N 0300035129 to S/N 0300064249 (Numbered Colored Wiring)	Ref.	2
	0270805	S/N 0300064249 to S/N 0300069000 (ADE System)	Ref.	1
10	4220162	Spacer, Stop (Used with ECCO Model 6640 Only)	1	
11		Adapter Options:	1	
	0630491	Adapter used with ECCO Model 6640		
	0080241	Adapter used with ECCO Model 6650		
12	3539281	Plate, Mounting (Used with ECCO Model 6640 Only)	1	
13	0741606	Screw, Flathead Countersunk 3/8in-16NC x 3/4in (Used with ECCO Model 6640 Only)	1	
14	0100011	Compound, Locking	A/R	
15	4240032	Tie-Strap (Not Shown)	1	
16	Use 0272507	Strobe Light/Guard/Harness Assembly (was p/n 0255917, 2920130 & 2920214)	1	
		Bulb, Replacement Options:	1	
	7016380	Bulb used with ECCO Model 6640		
	70001941	Bulb used with ECCO Model 6650		
16A		Guard Options:	1	
	4060907	Guard used with ECCO Model 6640		
	2920215	Guard used with ECCO Model 6650		
17	4460234	Clamp	1	
18	0100048	Sealant, Silicone	A/R	
19 to 24	Not Used			

SECTION 2 TURNTABLE

SECTION 2 TURNTABLE

FIGURE 2-17. ELECTRICAL OPTIONS INSTALLATION (TURNTABLE MOUNTED) (CONTINUED)

SECTION 2 TURNTABLE

FIG & ITEM #	PART NUMBER	DESCRIPTION	QTY.	REV.
		LIGHTS INSTALLATIONS (OPTIONAL)	Ref.	
	0255387	Prior to S/N 0300035129 (Colored Wiring)	Ref.	2
	0257884	S/N 0300035129 to S/N 0300064249 (Numbered Colored Wiring)	Ref.	1
	0271552	S/N 0300064249 to S/N 0300069000 (ADE System)	Ref.	2
25	2920110	Headlight	2	
26	0902206	Bracket, Mounting	2	
27	0642612	Bolt 1in-8NC x 1-1/2in	1	
28	4220162	Spacer	2	
29	0100011	Compound, Locking	A/R	
30	2920113	Taillight	2	
31	3911040	Screw, Machine #10-24NC x 2 1/2	4	
32	3311005	Nut #10-24NC	4	
33	4751000	Flatwasher #10 Regular	4	
34	4740362	Washer, Fender	4	
35	3960461	Gasket	2	
36	Not Used			
37	4240032	Tie-Strap (Not Shown)	21	
38	4460234	Mount, Tie-Strap (Not Shown)	21	
39	4360336	Switch, Toggle (Not Shown - Located on Console)	1	
40	3790012	O- Ring (Not Shown - Located on Console)	1	
41	3820001	Pop Rivet (Not Shown)	11	
	0255362	TILT INDICATOR INSTALLATION (PRIOR TO S/N 0300064249)	Ref.	—
101	4360416	Sensor, Tilt Indicator	1	
102	0641406	Bolt 1/4in-20NC x 3/4in	2	
103	3311405	Locknut 1/4in-20NC	2	

SECTION 2 TURNTABLE

FIGURE 2-17. ELECTRICAL OPTIONS INSTALLATION (TURNTABLE MOUNTED) (CONTINUED)

FIG & ITEM #	PART NUMBER	DESCRIPTION	QTY.	REV.

**S
E
C
T
I
O
N

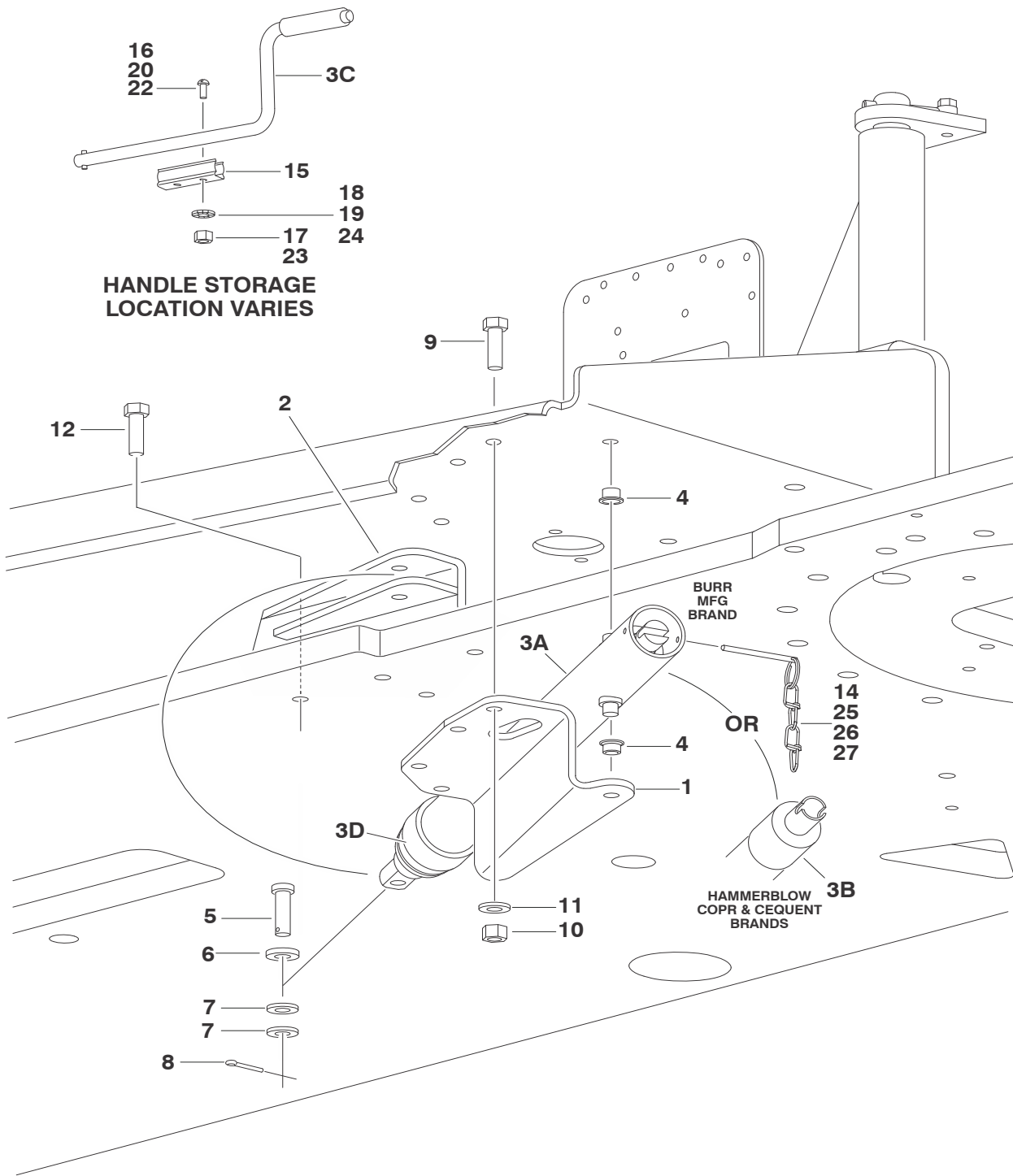
2

T
U
R
N
T
A
B
L
E**

SECTION 2 TURNTABLE

FIGURE 2-18. ENGINE TRAY JACK INSTALLATION (OPTIONAL)

SECTION 2 TURNTABLE



SECTION 2 TURNTABLE

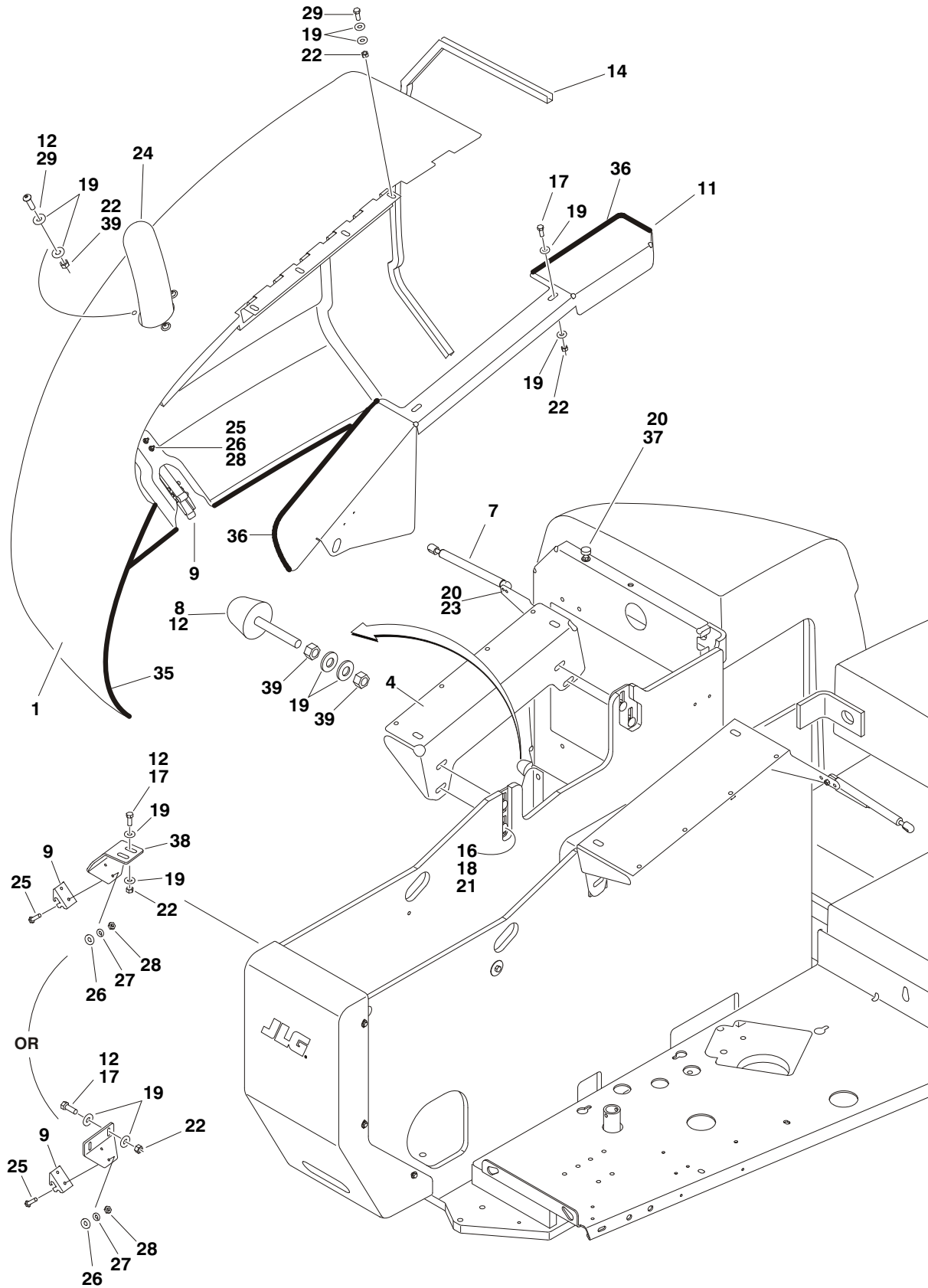
FIGURE 2-18. ENGINE TRAY JACK INSTALLATION (OPTIONAL)

FIG & ITEM #	PART NUMBER	DESCRIPTION	QTY.	REV.
	0255880	ENGINE TRAY JACK INSTALLATION	Ref.	5/G
1	3537445	Bracket	1	
2	4845163	Bracket	1	
3	2840016	Hydraulic Jack Assembly (Prior to S/N 0300027329)	1	
	2840018	Hydraulic Jack Assembly (S/N 0300027329 to S/N 0300069000)	1	
3A		Burr Manufacturing Brand		
3B		Hammerblow Corp & Cequent Brands		
3C		Handle Options:	1	
	7016374	Burr Manufacturing Brand		
	7024598	Hammerblow Corp & Cequent Brands		
3D	7016322	Wiper (Burr Manufacturing Brand Only)	1	
4	0962051	Bushing, Flanged	2	
5	3430816	Pin, Clevis	1	
6	4891800	Flatwasher 1/2in Hardened	1	
7	4711800	Flatwasher 1/2in Thin	A/R	
8	3450404	Pin, Cotter 1/8in x 1in	1	
9	0641609	Bolt 3/8in-16NC x 1-1/8in	4	
10	3311605	Locknut 3/8in-16NC	4	
11	4891600	Flatwasher 3/8in Hardened	4	
12	0641810	Bolt 1/2in-13NC x 1-1/4in	4	
13	Not Used			
14	3422530	Pins & Chain	1	
15	1380147	Clip, Spring	1	
16	3910610	Screw, Machine #6-32NC x 1-1/8in (Prior to S/N 0300027570)	2	
17	3310601	Nut #6-32NC (Prior to S/N 03000S/N 0300027570)	2	
18	4750600	Flatwasher #6 Regular (Prior to S/N 0300027570)	2	
19	4751000	Flatwasher #10 Regular (Prior to S/N 0300027570)	2	
20	0100011	Compound, Locking (Prior to S/N 0300027570)	A/R	
21	Not Used			
22	3910608	Screw #6-32NC x 1in (S/N 0300027570 to S/N 0300069000)	2	
23	3310601	Nut #6-32NC (S/N 0300027658 to S/N 0300069000)	2	
24	4770600	Starwasher #6 (S/N 0300027658 to S/N 0300069000)	2	
25	0641406	Bolt 1/4in-20NC x 3/4in (S/N 0300031342 to S/N 0300069000)	1	
26	4751400	Flatwasher 1/4in Regular (S/N 0300031342 to S/N 0300069000)	2	
27	3311405	Locknut 1/4in-20NC (S/N 0300031342 to S/N 0300069000)	1	

SECTION 2 TURNTABLE

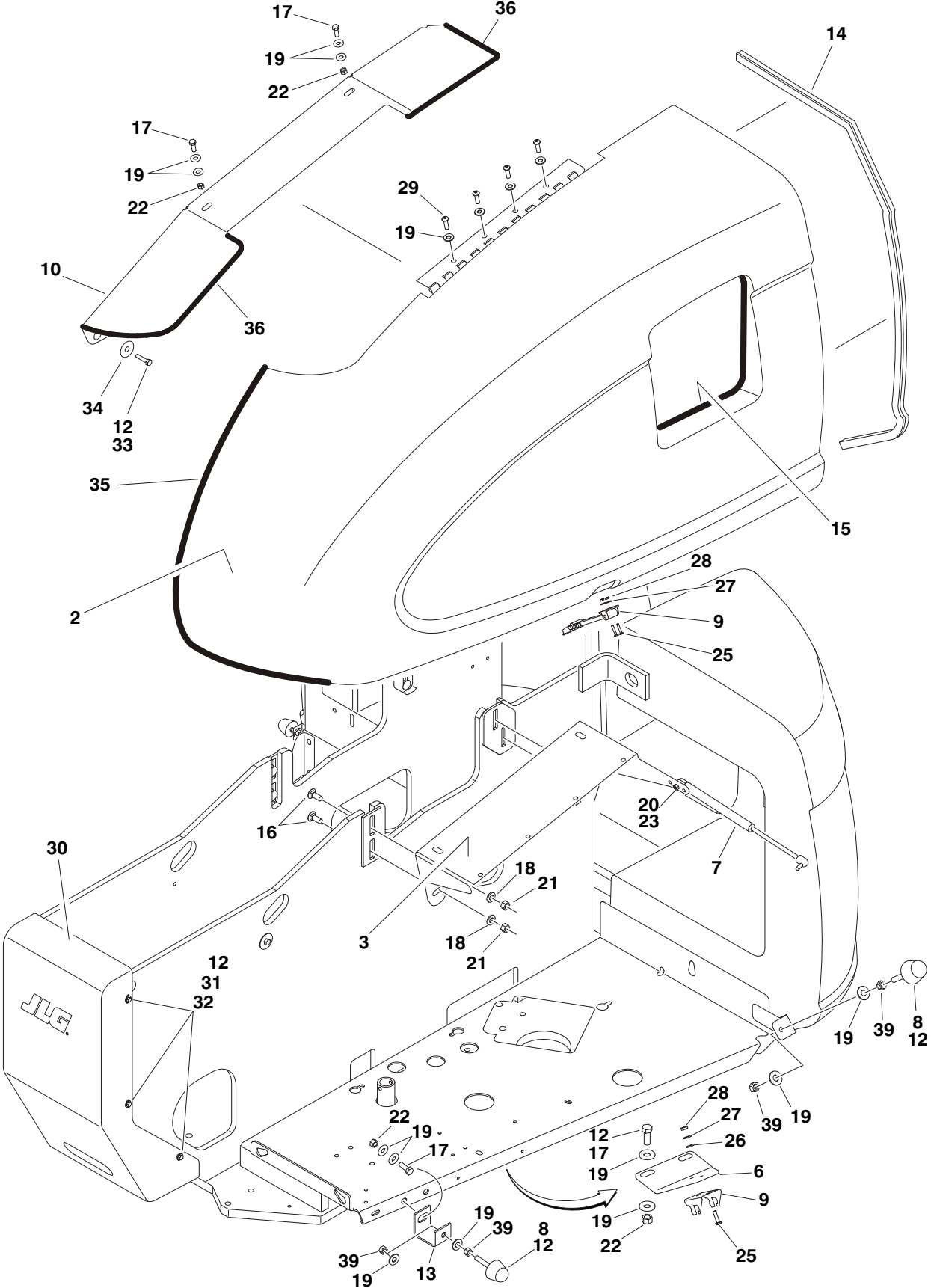
FIGURE 2-19. HOODS INSTALLATIONS - WITHOUT NOISE REDUCTION

SECTION 2 TURNTABLE



SECTION 2 TURNTABLE

SECTION 2 TURNTABLE



SECTION 2 TURNTABLE

FIGURE 2-19. HOODS INSTALLATIONS - WITHOUT NOISE REDUCTION

FIG & ITEM #	PART NUMBER	DESCRIPTION	QTY.	REV.
	0255407	HOODS INSTALLATION	Ref.	3
1	2680423	Hood - Engine Side (Includes Items 9,14,15 and 35)	1	
2	Use 1671243	Hood - Tank Side (was p/n 2680424)	1	
3	4845203	Mount - Tank Side	1	
4	4845200	Mount - Engine Side	1	
5	0902237	Bracket, Latch - Engine Side (Prior to S/N 0300027349 Only)	1	
6	0902242	Bracket, Latch - Tank Side	1	
7	4160143	Spring, Gas (Prior to S/N 0300027329)	2	
	4160152	Spring, Gas (S/N 0300027329 to S/N 0300069000)	2	
8	0940071	Bumper	4	
9	2940088	Latch, Hood (Part of Item 2 and 51)	2	
10	2680434	Spacer, Hood (Tank Side)	1	
11	2680433	Spacer, Hood (Engine Side)	1	
12	0100011	Compound, Locking	A/R	
13	0902219	Bracket, Bumper	1	
14	3960462	Trim (Part of Item 2 and 51)	11ft/3.4m	
15	3960447	Trim (Part of Item 2 and 51)	55in/1.4m	
16	0630507	Bolt, Carriage 1/2in-13NC x 1-1/4in	8	
17	0641608	Bolt 3/8in-16NC x 1in	12	
18	4751800	Flatwasher 1/2in Regular	8	
19	4751600	Flatwasher 3/16in Regular	48	
20	4751500	Flatwasher 5/16in Regular	4	
21	3311805	Locknut 1/2in-13NC	8	
22	3311605	Locknut 3/8in-16NC	23	
23	3311505	Locknut 5/16in-18NC	2	
24	4845194	Outlet, Exhaust	1	
25	0721006	Bolt #10-24NC x 3/4in	4	
26	4751000	Flatwasher #10 Regular	4	
27	4761000	Lockwasher #10	4	
28	3311001	Bolt #10-24NC	4	
29	3900232	Bolt, Button Head 3/8in-16NC x 1in	11	
30	1670770	Cover, Turntable - Steel (Prior to S/N 0300027941)	1	
	1670767	Cover, Turntable - Polyethylene (S/N 0300027941 to S/N 0300069000)	1	
31	0641404	Bolt 1/4in-20NC x 1/2in	6	
32	4751400	Flatwasher 1/4in Regular	6	
33	0641606	Bolt 3/8in-16NC x 3/4in	2	
34	4740076	Washer, Fender	2	
35	3960389	Seal (Part of Item 2 and 51)	6.3ft/1.9m	
36	3960418	Seal	6.5ft/2m	
37	0940049	Bumper (S/N 0300027349 to S/N 0300069000)	1	
38	0902313	Bracket, Latch - Engine Side (S/N 0300027349 to S/N 0300069000)	1	
39	3311601	Nut 3/8in-16NC	3	

SECTION 2 TURNTABLE

FIGURE 2-19. HOODS INSTALLATIONS - WITHOUT NOISE REDUCTION (CONTINUED)

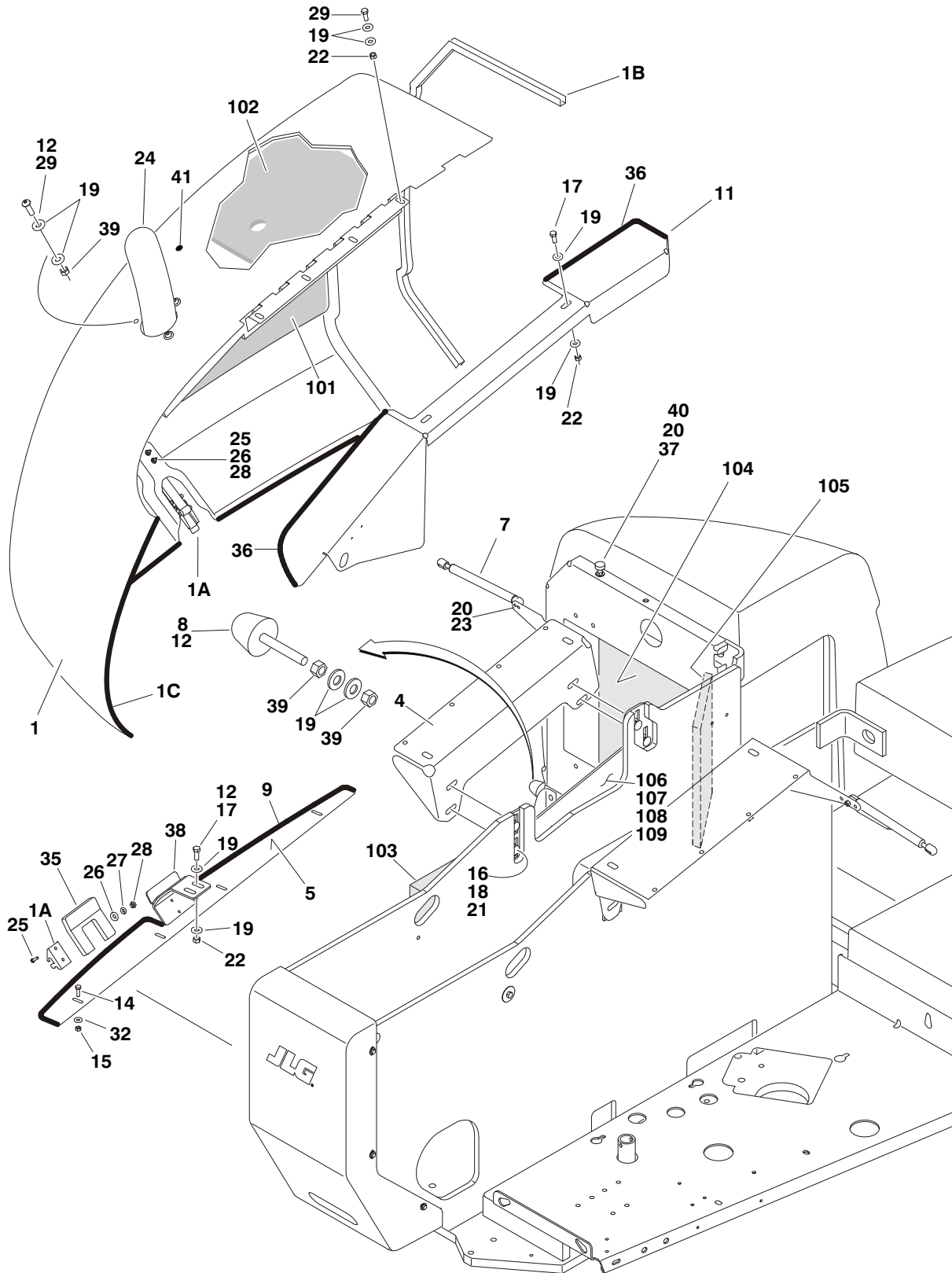
FIG & ITEM #	PART NUMBER	DESCRIPTION	QTY.	REV.

SECTION 2 TURNTABLE

SECTION 2 TURNTABLE

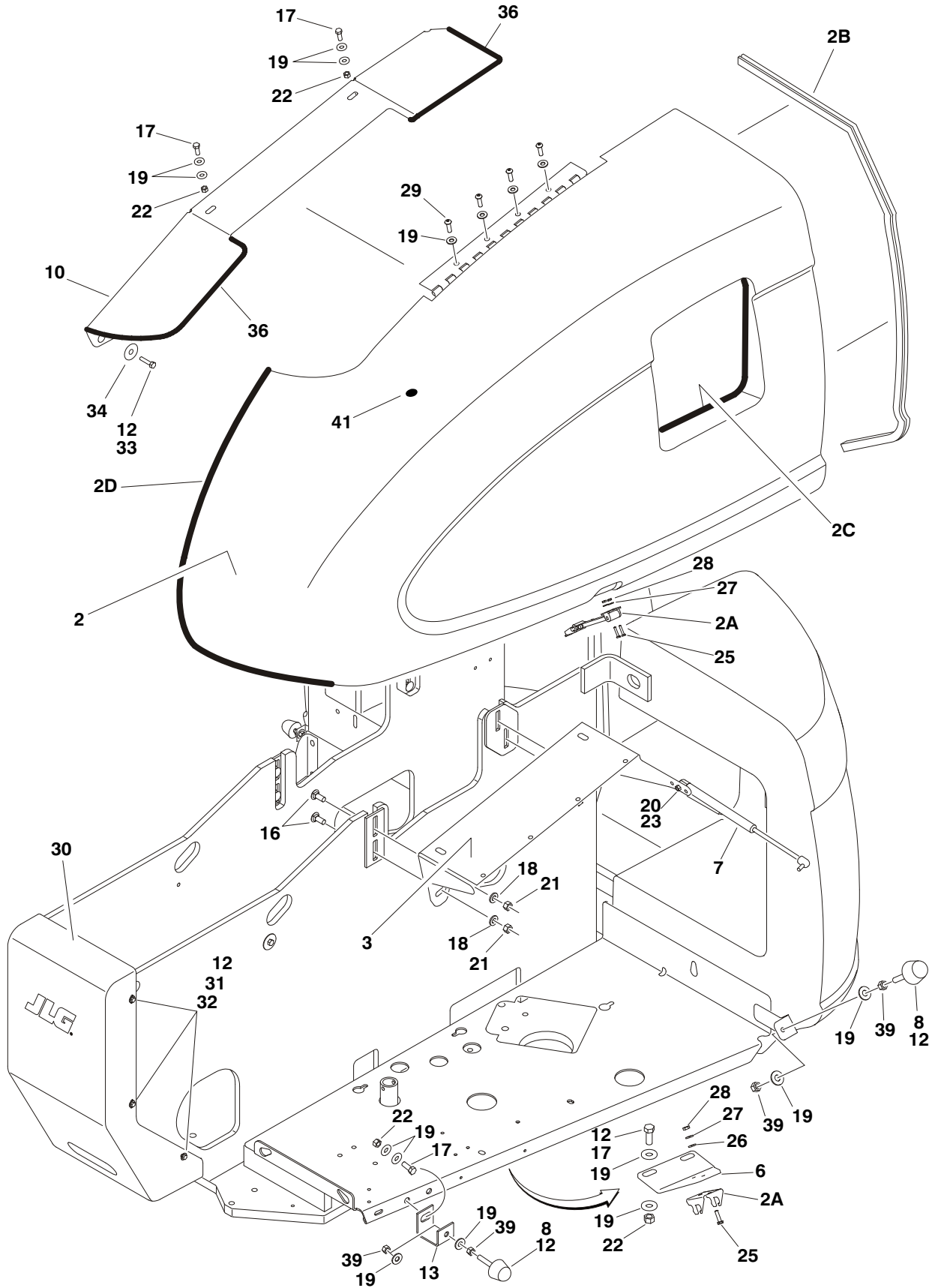
FIGURE 2-20. HOODS INSTALLATIONS - WITH NOISE REDUCTION

SECTION 2 TURNTABLE



SECTION 2 TURNTABLE

SECTION 2 TURNTABLE



SECTION 2 TURNTABLE

FIGURE 2-20. HOODS INSTALLATIONS - WITH NOISE REDUCTION

SECTION 2 TURNTABLE

FIG & ITEM #	PART NUMBER	DESCRIPTION	QTY.	REV.
	0256821	HOODS INSTALLATIONS	Ref.	4
1	2680423	Hood - Engine Side (Prior to S/N 0300037414)	1	
	2680440	Hood - Engine Side (S/N 0300037414 to S/N 0300069000)	1	
1A	2940088	Latch, Hood	1	
1B	3960462	Trim	A/R	
1C	3960389	Seal	A/R	
2	Use 1671216	Hood - Tank Side (Prior to S/N 0300037414) (was p/n 2680424)	1	
	Use 1671216	Hood - Tank Side (S/N 0300037414 to S/N 0300069000) (was p/n 2680441)	1	
2A	2940088	Latch, Hood	1	
2B	3960462	Trim	A/R	
2C	3960438	Trim	A/R	
2D	3960389	Seal	A/R	
3	4845203	Mount - Tank Side	1	
4	4845414	Mount - Engine Side	1	
5	3539923	Plate, Seal	1	
6	0902242	Bracket, Latch - Tank Side	1	
7	4160152	Spring, Gas (Prior to S/N 0300030959)	2	
	4160143	Spring, Gas (S/N 0300030959 to S/N 0300069000)	2	
8	0940071	Bumper	4	
9	3960389	Seal (Prior to S/N 0300037414)	3.5ft/1m	
10	2680434	Spacer, Hood (Tank Side)	1	
11	2680433	Spacer, Hood (Engine Side)	1	
12	0100011	Compound, Locking	A/R	
13	0902219	Bracket, Bumper	1	
14	0641407	Bolt 1/4in-20NC x 7/8in	4	
15	3311405	Locknut 1/4in-20NC	4	
16	0630507	Bolt, Carriage 1/2in-13NC x 1-1/4in	8	
17	0641608	Bolt 3/8in-16NC x 1in	11	
18	4740171	Flatwasher 1/2in Hardened	8	
19	4751600	Flatwasher 3/16in Regular	40	
20	4751500	Flatwasher 5/16in Regular	4	
21	3311805	Locknut 1/2in-13NC	8	
22	3311605	Locknut 3/8in-16NC	23	
23	3311505	Locknut 5/16in-18NC	2	
24	4845194	Outlet, Exhaust	1	
25	0721006	Bolt #10-24NC x 3/4in	4	
26	4751000	Flatwasher #10 Regular	4	
27	4761000	Lockwasher #10	4	
28	3311001	Bolt #10-24NC	4	
	3311005	Locknut #10-24NC (S/N 0300037414 to S/N 0300069000)	4	
29	3900232	Bolt, Button Head 3/8in-16NC x 1in	11	
30	1670767	Cover, Turntable	1	
31	0641404	Bolt 1/4in-20NC x 1/2in	6	
32	4751400	Flatwasher 1/4in Regular	6	
33	Not Used			

SECTION 2 TURNTABLE

FIGURE 2-20. HOODS INSTALLATIONS - WITH NOISE REDUCTION (CONTINUED)

FIG & ITEM #	PART NUMBER	DESCRIPTION	QTY.	REV.
34	4740076	Washer, Fender	2	
35	3960467	Seal, Foam	1	
36	3960418	Seal (Prior to S/N 0300037414)	6.5ft/2m	
	3960418	Seal (S/N 0300037414 to S/N 0300069000)	7ft/2.1m	
37	0940049	Bumper (S/N 0300027349 to S/N 0300069000)	1	
38	0902335	Bracket, Latch - Engine Side	1	
39	3311601	Nut 3/8in-16NC	11	
40	3311501	Nut 5/16in-18NC (S/N 0300037414 to S/N 0300069000)	2	
41	3520033	Plug (S/N 0300037414 to S/N 0300069000)	2	
	0256822	NOISE REDUCTION INSTALLATION	Ref.	—
101	2820076	Foam, Acoustical	1	
102	2820077	Foam, Acoustical	1	
103	2820078	Foam, Acoustical	1	
104	2820082	Foam, Acoustical	1	
105	2820083	Foam, Acoustical	1	
106	3539988	Plate, Baffle	1	
107	0641606	Bolt 3/8in-16NC x 3/4in	5	
108	4751600	Flatwasher 3/8in Regular	5	
109	0100011	Compound, Locking	A/R	

SECTION 2 TURNTABLE

SECTION 2 TURNTABLE

FIGURE 2-20. HOODS INSTALLATIONS - WITH NOISE REDUCTION (CONTINUED)

**S
E
C
T
I
O
N

2

T
U
R
N
T
A
B
L
E**

FIG & ITEM #	PART NUMBER	DESCRIPTION	QTY.	REV.

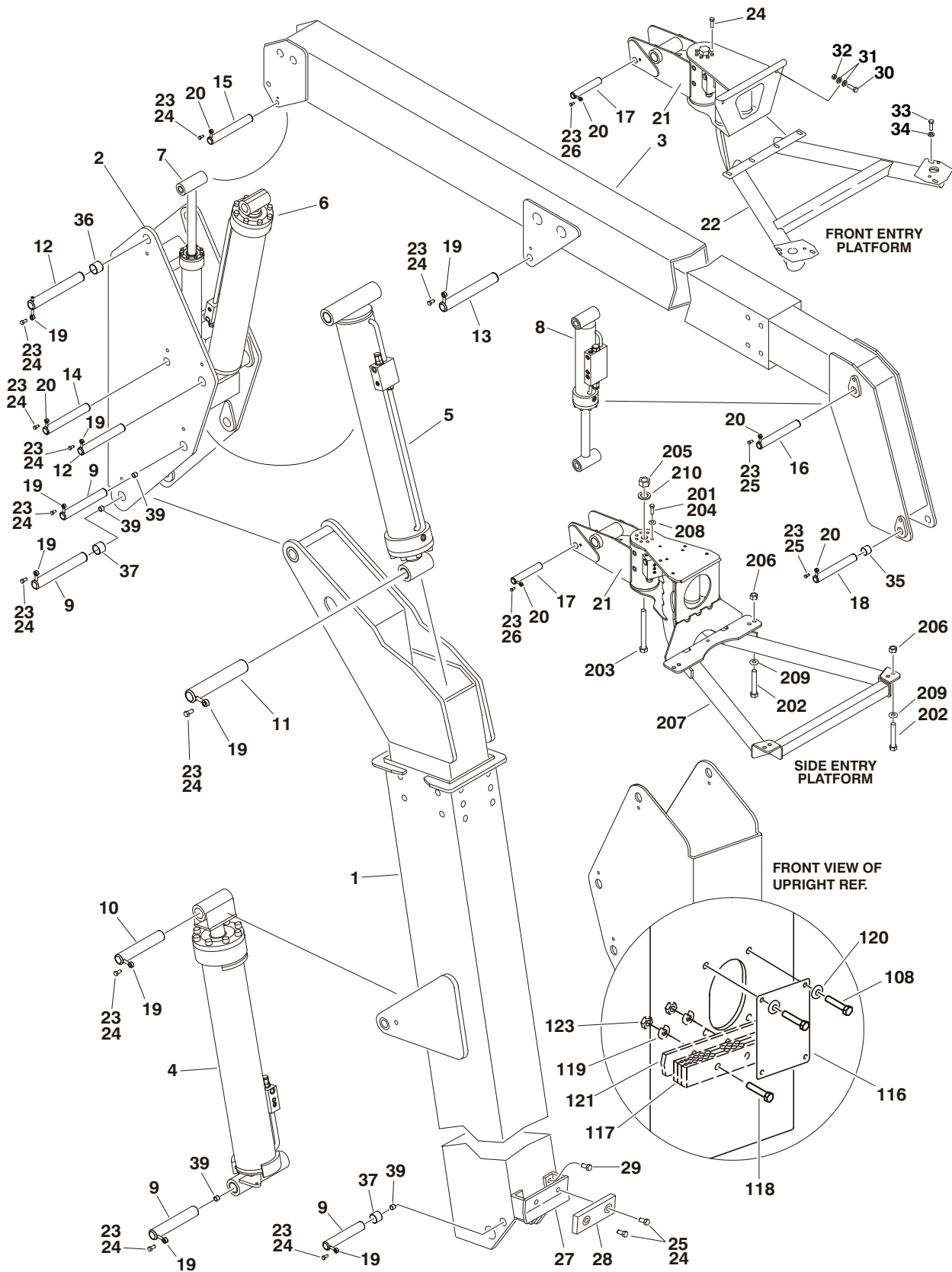
SECTION 3 BOOM

TABLE OF CONTENTS

FIGURE	DESCRIPTION	PAGE
3-1	BOOMS AND CYLINDERS INSTALLATION - 600A	3-2
3-2	BOOMS AND CYLINDERS INSTALLATION - 600AJ	3-6
3-3	TOWER BOOM ASSEMBLIES	3-12
3-4	MAIN BOOM ASSEMBLIES	3-16
3-5	ROTATOR ASSEMBLIES (FRONT ENTRY PLATFORM)	3-20
3-6	ROTATOR ASSEMBLIES (SIDE ENTRY PLATFORM)	3-24
3-7	VALVES AND SWITCHES INSTALLATION (BOOM MOUNTED)	3-26
3-8	BOOM WIPERS INSTALLATION (OPTIONAL)	3-30

SECTION 3 BOOM

FIGURE 3-1. BOOMS AND CYLINDERS INSTALLATION - 600A



SECTIONS
3
BOOM

SECTION 3 BOOM

FIGURE 3-1. BOOMS AND CYLINDERS INSTALLATION - 600A

FIG & ITEM #	PART NUMBER	DESCRIPTION	QTY.	REV.
		BOOMS AND CYLINDERS INSTALLATION	Ref.	
	0255238	Boom & Cylinder Installation (Machines with Front Entry Platform Built Prior to S/N 0300041868)	Ref.	12
	0258694	CE Spec Boom & Cylinder Installation (Machines with Front Entry Platform Built S/N 0300041868 to S/N 0300069000)	Ref.	8
	0256321	Australian Spec Boom & Cylinder Installation (Machines with Front Entry Platform Built S/N 0300041868 to S/N 0300069000)	Ref.	5
	0272326	CE/Australian Spec - Boom & Cylinder Installation (Side Entry Platform)	Ref.	1
1	0801019	Tower Boom Assembly -Tower (See Figure 3-3 for Breakdown)	1	
2		Upright Weldment Options:	1	
	Use 4846005	Prior to S/N 0300042671 (was p/n 4844945)		
	4846005	S/N 0300042671 to S/N 0300069000		
3	0801022	Main Boom Assembly (See Figure 3-4 for Breakdown)	1	
4	1683288	Tower Lift Cylinder Assembly (See Section 5 for Breakdown)	1	
5	Use 1684498	Upright Level Cylinder Assembly (See Section 5 for Breakdown) (was p/n 1683299)	1	
6	1683294	Main Lift Cylinder Assembly (See Section 5 for Breakdown)	1	
7	1683266	Master Cylinder Assembly (See Section 5 for Breakdown)	1	
8		Platform Level Cylinder Assembly Options (See Section 5 for Breakdown)	1	
	1683271	Prior to S/N 0300024714		
	1683415	S/N 0300024714 to S/N 0300069000		
9		Pin Options:	4	
	Use 3422571	Prior to S/N 0300041868 (was p/n 3422442)		
	3422571	S/N 0300041868 to S/N 0300069000		
10		Pin Options:	1	
	Use 3422573	Prior to S/N 0300041868 (was p/n 3422444)		
	3422573	S/N 0300041868 to S/N 0300069000		
11	3422575	Pin	1	
12		Pin Options:	2	
	Use 3422572	Prior to S/N 0300041868 (was p/n 3422443)		
	3422572	S/N 0300041868 to S/N 0300069000		
13		Pin Options:	1	
	Use 3422576	Prior to S/N 0300041868 (was p/n 3422452)		
	3422576	S/N 0300041868 to S/N 0300069000		
14		Pin Options:	1	
	Use 3422565	Prior to S/N 0300041868 (was p/n 3422434)		
	3422565	S/N 0300041868 to S/N 0300069000		
15		Pin Options:	1	
	Use 3422577	Prior to S/N 0300041868 (was p/n 3422453)		
	3422577	S/N 0300041868 to S/N 0300069000		
16		Pin Options:	1	
	Use 3422578	Prior to S/N 0300041868 (was p/n 3422454)		
	3422578	S/N 0300041868 to S/N 0300069000		

SECTION 3 BOOM

SECTION 3 BOOM

FIGURE 3-1. BOOMS AND CYLINDERS INSTALLATION - 600A (CONTINUED)

FIG & ITEM #	PART NUMBER	DESCRIPTION	QTY.	REV.
17	Use 3422580	Pin Options: Prior to S/N 0300041868 (was p/n 3422489) S/N 0300041868 to S/N 0300069000	1	
	3422580			
18	Not Used			
19	3841203	Keeper, Pin - 1/2in	9	
20	3841143	Keeper, Pin - 3/8in	5	
21	Use 0060076	Rotator Assembly Options: Front Entry Platform (p/n was 0060035) (See Figure 3-5 for Breakdown)	1	
	0060068	Side Entry Platform (See Figure 3-6 for Breakdown)		
22		Platform Support Weldment Options:	1	
	4844790	All Specs (Front Entry Platform Prior to S/N 0300036526)		
	4845682	All Specs (Front Entry Platform S/N 0300036526 to S/N 0300038051)		
	4844790	CE Spec (Front Entry Platform S/N 0300038051 to S/N 0300069000)		
	4846081	Australian Spec (Front Entry Platform S/N 0300038051 to S/N 0300069000) Note: For Side Entry Platform Machines See Items 201 to 210 for Support Installation)		
23	0100011	Compound, Locking	A/R	
24	0641810	Bolt 1/2in-13NC x 1-1/4in	15	
25	0641607	Bolt 3/8in-16NC x 7/8in	A/R	
26	3900166	Screw, Socket Head Countersunk - 3/8in-16NC x 7/8in	1	
27	4845127	Boom Rest Weldment (Front Entry Platform)	1	
28	0561076	Block, Boom Rest	1	
29	0641605	Bolt 3/8in-16NC x 5/8in	4	
30	0641820	Bolt 1/2in-13NC x 2-1/2in (Front Entry Platform)	4	
31	4711800	Flatwasher 1/2in Thin (Front Entry Platform)	8	
32	3311805	Locknut 1/2in-13NC (Front Entry Platform)	4	
33	0681610	Bolt 3/8in-16NC x 1-1/4in (Grade 8) (Front Entry Platform)	4	
34	4711600	Flatwasher 3/8in Thin (Front Entry Platform)	4	
35	0961951	Bushing, Garmax	2	
36	0961948	Bushing, Garmax	2	
37	0961949	Bushing, Garmax	4	
38	3422582	Pin	1	
39	3900239	Setscrew (S/N 0300027329 to S/N 0300069000 Only)	4	
	0255423	POWER TRACK INSTALLATION	Ref.	10/1
101 to 107	Not Used			
108	0641403	Bolt 1/4in-20NC x 3/8in	4	
109 to 115	Not Used			
116	3539779	Plate, Cover	1	
117		Clamp, Block Options:	1	
	1320229	Prior to S/N 0300034102		
	1320243	S/N 0300034102 to S/N 69000		

SECTION 3 BOOM

SECTION 3 BOOM

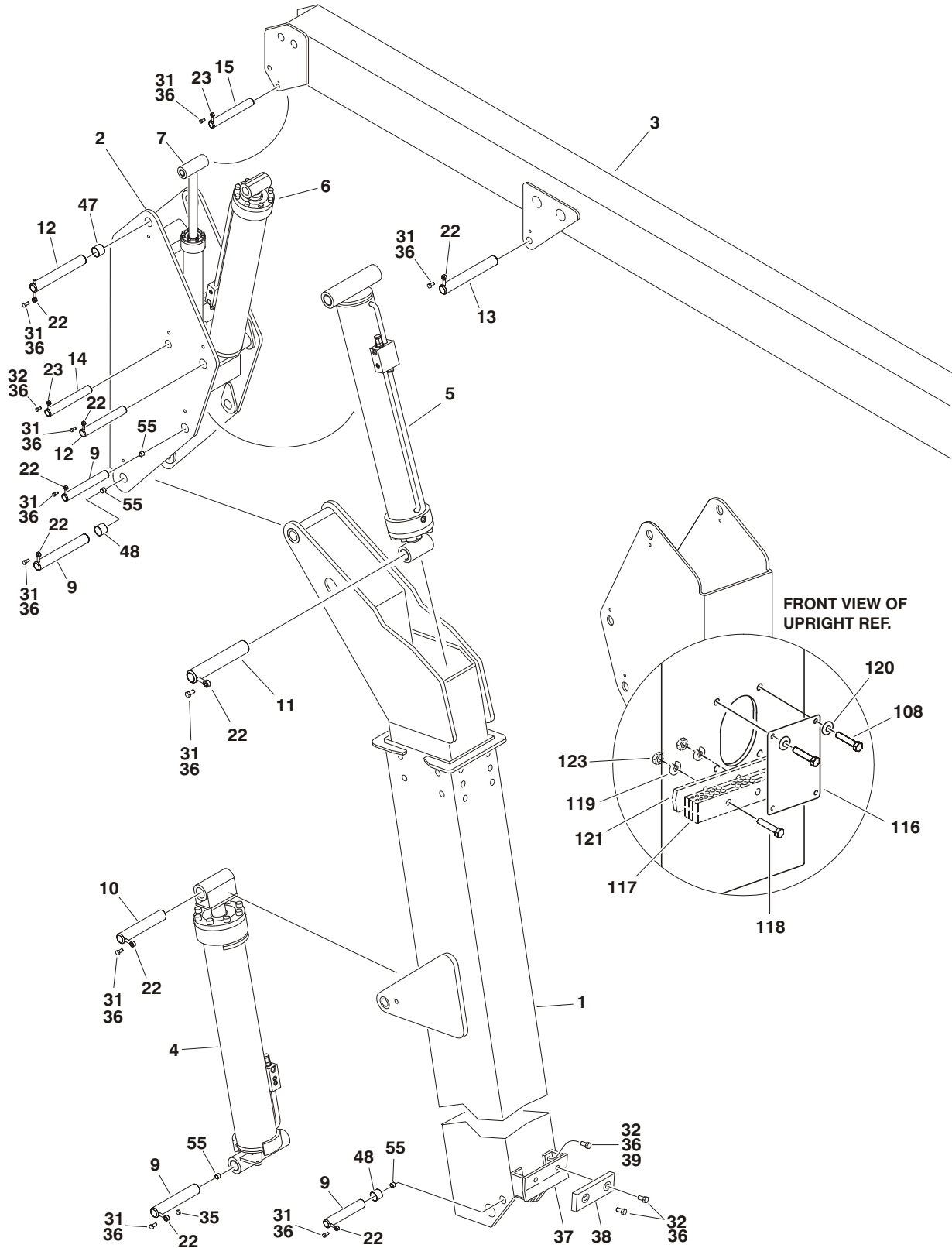
FIGURE 3-1. BOOMS AND CYLINDERS INSTALLATION - 600A (CONTINUED)

FIG & ITEM #	PART NUMBER	DESCRIPTION	QTY.	REV.
118		Bolt Options:	2	
	0641624	Bolt 3/8in-16NC x 3in (Prior to S/N 0300034102)		
	0641532	Bolt 5/16in-18NC x 4in (S/N 0300034102 to S/N 0300069000)		
119	4751600	Flatwasher 3/8in Regular	2	
120	4751400	Flatwasher 1/4in Regular	4	
121		Plate Options:	1	
	3539930	S/N 0300027207 to S/N 0300034102		
	3570374	S/N 0300034102 to S/N 0300069000		
122	Not Used			
123	3311505	Nut 5/16in-18NC (S/N 0300034102 to S/N 0300069000 Only)	2	
	0272070	PLATFORM SUPPORT INSTALLATIONS (SIDE ENTRY PLATFORM) (AUSTRALIAN SPEC)	Ref.	B
	See Note	CE Spec Machines (Note: For Replacement Parts, Contact JLG Customer Service and Request Manual p/n 3124287.)	Ref.	
201	0100011	Compound, Locking	A/R	
202	0641812	Bolt 1/2in-13NC x 1-1/2in	8	
203	0642682	Bolt 1in-8NC x 10-1/4in	1	
204	0681608	Bolt 3/8in-16NC x 1in	8	
205	3272605	Locknut 1in-8NC	1	
206	3311805	Locknut 1/2in-13NC	8	
207	4846573	Support Weldment	1	
208	4891600	Flatwasher 3/8in Hardened	8	
209	4891800	Flatwasher 1/2in Hardened	8	
210	4892600	Flatwasher 1in Hardened	1	

SECTION 3 BOOM

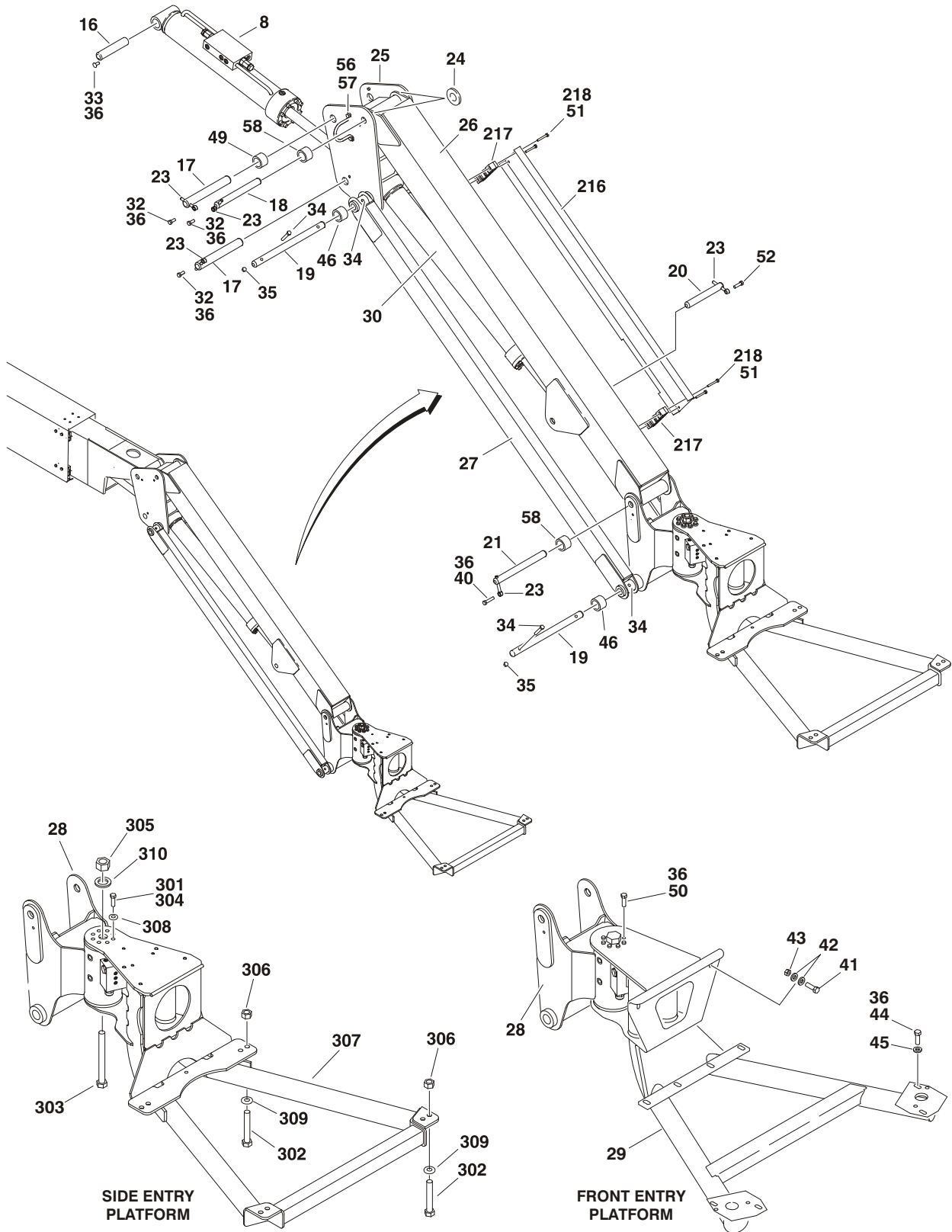
SECTION 3 BOOM

FIGURE 3-2. BOOMS AND CYLINDERS INSTALLATION - 600AJ



SECTION 3 BOOM

SECTION 3 BOOM



SECTION 3 BOOM

FIGURE 3-2. BOOMS AND CYLINDERS INSTALLATION - 600AJ

FIG & ITEM #	PART NUMBER	DESCRIPTION	QTY.	REV.
		BOOMS AND CYLINDERS INSTALLATION	Ref.	
	0255239	Boom & Cylinder Installation (Front Entry Platform Machines Built Prior to S/N 0300041868)	Ref.	17
	0256322	Australian Spec Boom & Cylinder Installation (Front Entry Platform Machines Built S/N 0300041868 to S/N 0300064249)	Ref.	7
	0258695	CE Spec Boom & Cylinder Installation (Front Entry Platform Machines Built S/N 0300041868 to S/N 0300064249)	Ref.	9
	0271339	CE/Australian Spec - Boom & Cylinder Installation (With ADE System) (Front Entry Platform Machines Built S/N 0300064249 to S/N 0300069000)	Ref.	5
	0272135	CE/Australian Spec - Boom & Cylinder Installation (With ADE System) (Side Entry Platform Machines)	Ref.	1
1	0801019	Tower Boom Assembly -Tower (See Figure 3-3 for Break-down)	1	
2		Upright Weldment Options:	1	
	Use 4846006	Prior to S/N 0300042671 (was p/n 4844945)		
	4846006	S/N 0300042671 to S/N 0300069000		
3	0801025	Main Boom Assembly (See Figure 3-4 for Breakdown)	1	
4	1683288	Tower Lift Cylinder Assembly (See Section 5 for Breakdown)	1	
5	Use 1684498	Upright Level Cylinder Assembly (See Section 5 for Breakdown) (was p/n 1683299)	1	
6	1683294	Main Lift Cylinder Assembly (See Section 5 for Breakdown)	1	
7	1683263	Master Cylinder Assembly (See Section 5 for Breakdown)	1	
8		Platform Level Cylinder Assembly Options (See Section 5 for Breakdown)	1	
	1683253	Prior to S/N 0300024714		
	1683418	S/N 0300024714 to S/N 0300069000		
9		Pin Options:	4	
	Use 3422571	Prior to S/N 0300041868) (was p/n 3422442)		
	3422571	ANSI (S/N 0300041868 to S/N 0300069000)		
10		Pin Options:	1	
	Use 3422573	ANSI (Prior to S/N 0300041868 (was p/n 3422444)		
	3422573	S/N 0300041868 to S/N 0300069000		
11	3422575	Pin	1	
12		Pin Options:	2	
	Use 3422572	Prior to S/N 0300041868 (was p/n 3422443)		
	3422572	S/N 0300041868 to S/N 0300069000		
13		Pin Options:	1	
	Use 3422576	Prior to S/N 0300041868 (was p/n 3422452)		
	3422576	S/N 0300041868 to S/N 0300069000		
14		Pin Options:	1	
	Use 3422566	Prior to S/N 0300041868 (was p/n 3422435)		
	3422566	S/N 0300041868 to S/N 0300069000		
15		Pin Options:	1	
	Use 3422579	Prior to S/N 0300041868 (was p/n 3422477)		
	3422579	S/N 0300041868 to S/N 0300069000		

SECTION 3 BOOM

SECTION 3 BOOM

FIGURE 3-2. BOOMS AND CYLINDERS INSTALLATION - 600AJ (CONTINUED)

FIG & ITEM #	PART NUMBER	DESCRIPTION	QTY.	REV.
16	Use 3422583 3422583	Pin Options: Prior to S/N 0300041868 (was p/n 3422440) S/N 0300041868 to S/N 0300069000	1	
17	Use 3422561 3422561	Pin Options: Prior to S/N 0300041868 (was p/n 3422422) S/N 0300041868 to S/N 0300069000	2	
18	Use 3422860 Use 3422860 3422860	Pin Options: Prior to S/N 0300041868 (was p/n 3422419) S/N 0300041868 to S/N 0300054000 (was p/n 3422558) S/N 0300054000 to S/N 0300069000	1	
19	Use 3422861 Use 3422861 3422861	Pin Options: Prior to S/N 0300041868 (was p/n 3422420) S/N 0300041868 to S/N 0300054000 (was p/n 3422559) S/N 0300054000 to S/N 0300069000	2	
20	Use 3422867 Use 3422867 3422867	Pin Options: Prior to S/N 0300041868 (was p/n 3422421) S/N 0300041868 to S/N 0300054000 (was p/n 3422560) S/N 0300054000 to S/N 0300069000	1	
21	Use 3422563 3422563 3422860	Pin Options: Prior to S/N 0300041868 (was p/n 3422432) S/N 0300041868 to S/N 0300069000 (Front Entry Platform) S/N 0300041868 to S/N 0300069000 (Side Entry Platform)	1	
22	3841203	Keeper, Pin - 1/2in	9	
23	3841143	Keeper, Pin - 3/8in	7	
24	4740439	Thrustwasher	2	
25	4844815	Pivot Weldment	1	
26	4844816	Tube Weldment - Top	1	
27	4844817	Tube Weldment - Bottom	2	
28	Use 0060074 0060066	Rotator Assembly Options: Front Entry Platform (p/n was 0060031) (See Figure 3-5 for Breakdown) Side Entry Platform (See Figure 3-6 for Breakdown)	1	
29	4844790 4845682 4844790 4846081	Support Weldment Options: All Specs (Front Entry Platform Prior to S/N 0300036526) All Specs (Front Entry Platform S/N 0300036526 to S/N 0300038051) CE Spec (Front Entry Platform S/N 0300038051 to S/N 0300069000) Australian Spec (Front Entry Platform S/N 0300038051 to S/N 0300069000) Note: For Side Entry Platform See Items 301 to 310 for Support Installation)	1	
30	1683258	Extend-A-Reach Lift Cylinder Assembly (See Section 5 for Breakdown)	1	
31	0641810	Bolt 1/2in-13NC x 1-1/4in	9	
32	0641607	Bolt 3/8in-16NC x 7/8in	A/R	
33	0741607	Screw, Countersunk 3/8in-16NC x 7/8in	1	
34	0641618	Bolt 3/8in-16NC x 2-1/4in	4	

SECTION 3 BOOM

SECTION 3 BOOM

FIGURE 3-2. BOOMS AND CYLINDERS INSTALLATION - 600AJ (CONTINUED)

FIG & ITEM #	PART NUMBER	DESCRIPTION	QTY.	REV.
35	3311605	Locknut 3/8in-16NC	5	
36	0100011	Compound, Locking	A/R	
37	4845127	Boom Rest Weldment (Front Entry Platform)	1	
38	0561076	Block, Boom Rest	1	
39	0641605	Bolt 3/8in-16NC x 5/8in	4	
40	0461614	Bolt 3/8in-16NC x 1-3/4in	1	
41	0641820	Bolt 1/2in-13NC x 2-1/2in (Front Entry Platform)	4	
42	4711800	Flatwasher 1/2in Thin (Front Entry Platform)	8	
43	3311805	Locknut 1/2in-13NC (Front Entry Platform)	4	
44	0681610	Bolt 3/8in-16NC x 1-1/4in (Grade 8) (Front Entry Platform)	4	
45	4711600	Flatwasher 3/8in Thin (Front Entry Platform)	4	
46	0961947	Bushing, Composite	6	
47	0961948	Bushing, Composite	2	
48	0961949	Bushing, Composite	4	
49	0961951	Bushing, Composite	2	
50	0641810	Bolt 1/2in-13NC x 1in	6	
51	2080044	Rivnut	4	
52	0641611	Bolt 3/8in-16NC x 1-3/8in	1	
53 to 54	Not Used			
55	3900239	Setscrew (S/N 0300027329 to S/N 0300069000 Only)	4	
56	3841340	Loop, Hose (S/N 0300033678 to S/N 0300069000 Only)	1	
57	0641606	Bolt 3/8in-16NC x 3/4in (S/N 0300033678 to S/N 0300069000 Only)	2	
58	0962335	Bushing, Composite	4	
	0255423	POWER TRACK INSTALLATION	Ref.	10/1
101to 107	Not Used			
108	0641403	Bolt 1/4in-20NC x 3/8in	4	
109 to 115	Not Used			
116	3539779	Plate, Cover	1	
117		Clamp, Block Options:	1	
	1320229	Prior to S/N 0300034102		
	1320243	S/N 0300034102 to S/N 0300069000		
118		Bolt Options:	2	
	0641624	Bolt 3/8in-16NC x 3in (Prior to S/N 0300034102)		
	0641532	Bolt 5/16in-18NC x 4in (S/N 0300034102 to S/N 0300069000)		
119	4751600	Flatwasher 3/8in Regular	2	
120	4751400	Flatwasher 1/4in Regular	4	
121		Plate Options:	1	
	3539930	S/N 0300027207 to S/N 0300034102	1	
	3570374	S/N 0300034102 to S/N 0300069000	1	
122	Not Used			
123	3311505	Nut 5/16in-18NC (S/N 0300034102 to S/N 0300069000 Only)	2	

SECTION 3 BOOM

SECTION 3 BOOM

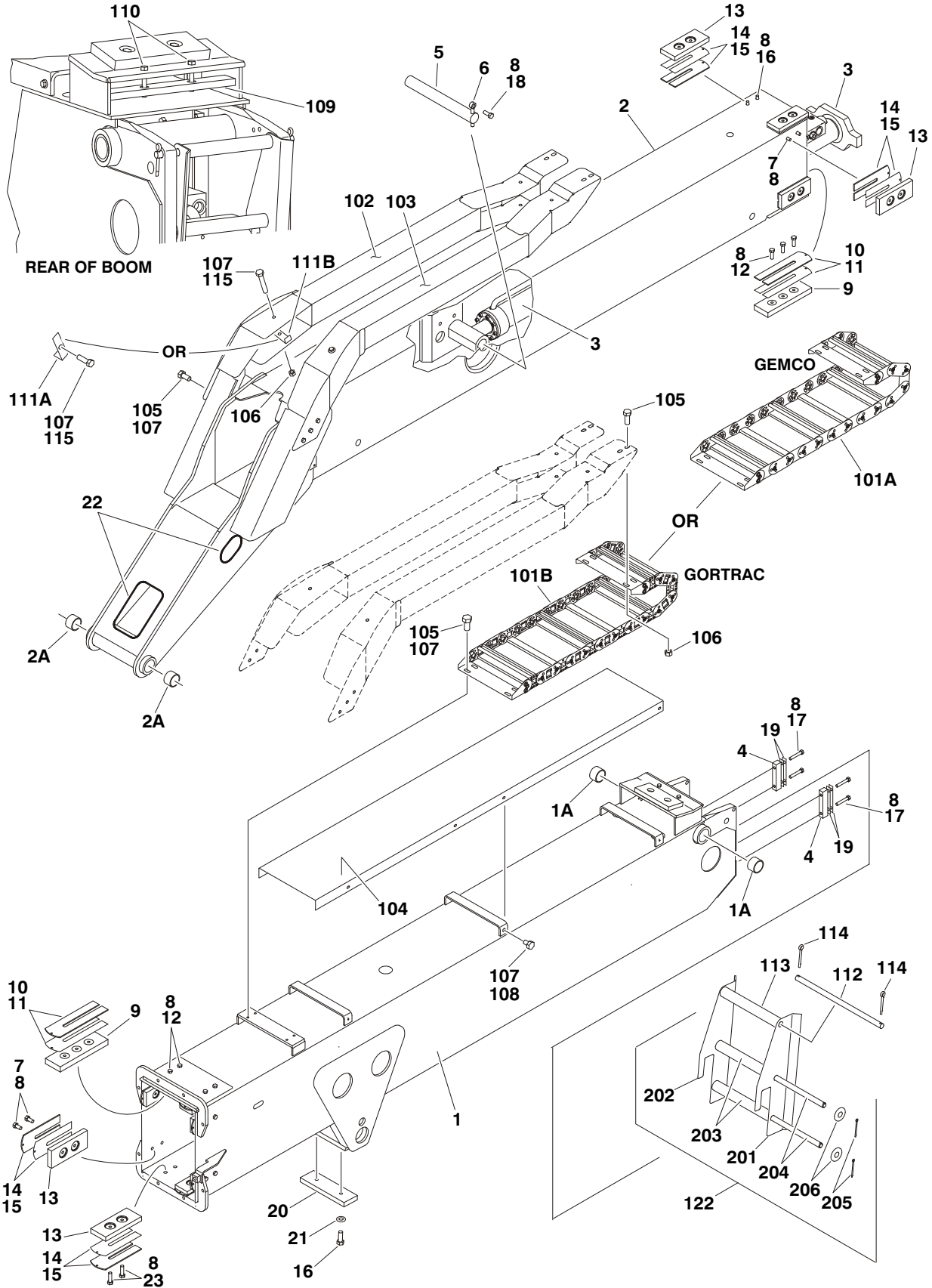
FIGURE 3-2. BOOMS AND CYLINDERS INSTALLATION - 600AJ (CONTINUED)

FIG & ITEM #	PART NUMBER	DESCRIPTION	QTY.	REV.
		CABLE INSTALLATION OPTIONS:	Ref.	
	0255878	Prior to S/N 0300064249	Ref.	9
	0270821	S/N 0300064249 to S/N 0300069000	Ref.	6/E
201to 215	Not Used			
216	1670769	Cover	1	
217	0561237	Clamp, Block	2	
218	0641416	Bolt 1/4in-20NC x 2in	4	
		PLATFORM SUPPORT INSTALLATIONS (SIDE ENTRY PLATFORM)	Ref.	
	0272070	Australian Spec	Ref.	B
	See Note	CE Spec Machines (Note: For Replacement Parts, Contact JLG Customer Service and Request Manual p/n 3124287.)	Ref.	C
301	0100011	Compound, Locking	A/R	
302		Bolt Options:	8	
	0641812	Australian Spec - Bolt 1/2in-13NC x 1-1/2in		
	0641822	CE Spec - Bolt 1/2in-13NC x 2-3/4in		
303	0642682	Bolt 1in-8NC x 10-1/4in	1	
304		Bolt Options:	8	
	0681608	Australian Spec - Bolt 3/8in-16NC x 1in		
	0681610	CE Spec - Bolt 3/8in-16NC x 1-1/4in		
305	3272605	Locknut 1in-8NC	1	
306	3311805	Locknut 1/2in-13NC	8	
307	4846573	Support Weldment	1	
308	4891600	Flatwasher 3/8in Hardened	8	
309	4891800	Flatwasher 1/2in Hardened	8	
310	4892600	Flatwasher 1in Hardened	1	

SECTION 3 BOOM

SECTION 3 BOOM

FIGURE 3-3. TOWER BOOM ASSEMBLIES



SECTION 3 BOOM

SECTION 3 BOOM

FIGURE 3-3. TOWER BOOM ASSEMBLIES

FIG & ITEM #	PART NUMBER	DESCRIPTION	QTY.	REV.
	0801019	TOWER BOOM ASSEMBLY	Ref.	7/H
1	0801020	Base Weldment (Prior to S/N 0300027207)	1	
	0801085	Base Weldment (S/N 0300027207 to S/N 0300069000)	1	
1A	0961949	Bushing, Garmax	2	
2	0801021	Fly Weldment	1	
2A	0961949	Bushing, Garmax	2	
3	1683312	Cylinder Assembly - Tower Telescope (See Section 5 for Breakdown)	1	
4	0561185	Block, Attach	2	
5	3422575	Pin	1	
6	3841203	Keeper, Pin	1	
7	0641606	Bolt 3/8in-16NC x 3/4in	26	
8	0100011	Compound, Locking	A/R	
9		Pad, Wear Options:	4	
	3340705	Prior to S/N 0300064394		
	3340871	S/N 0300064394 to S/N 0300069000		
10	4070863	Shim .12	A/R	
11	4070864	Shim .05	A/R	
12	0641612	Bolt 3/8in-16NC x 1-1/2in	12	
13		Pad, Wear Options:	12	
	3340756	Prior to S/N 0300064394		
	3340881	S/N 0300064394 to S/N 0300069000		
14	4070897	Shim .05	A/R	
15	4070898	Shim .12	A/R	
16	0641608	Bolt 3/8in-16NC x 1in	6	
17	0641618	Bolt 3/8in-16NC x 2- 1/4in	4	
18	0641809	Bolt 3/8in-16NC x 1-1/8in	1	
19	4070929	Shim	A/R	
20	0561248	Block, Boom Rest (S/N 0300027207 to S/N 0300069000 Only)	1	
21	4711600	Flatwasher 3/8in Thin	2	
22	4060808	Flex-Trim (S/N 0300027207 to S/N 0300069000 Only)	31in/79cm	
23	0641610	Bolt 3/8in-16NC x 1-1/4in (S/N 0300038051 to S/N 0300069000)	4	
	0255423	POWER TRACK INSTALLATION	Ref.	10/I
101		Power Track Assembly Options:	1	
		Note: Various Power Tracks use on this model. Identify brand before ordering parts.	Ref.	
101A	Use 1001099835	Gemco Brand Power Track (was p/n 1180339)		
		Replacement Parts:		
	7016502	1Ft. Repair Section (Includes 10 Link Pin, 4 Radius Links, 4 Carrier Links, 1 Carrier Weldment, 10 Slugs & 20 Bearing Plates)	A/R	
	7016510	Feet, Mounting	2 Pair	
	7006152	Pin Kit (Includes 1 pin, 1 Retaining Ring & 4 Washers)	A/R	

SECTION 3 BOOM

SECTION 3 BOOM

FIGURE 3-3. TOWER BOOM ASSEMBLIES (CONTINUED)

FIG & ITEM #	PART NUMBER	DESCRIPTION	QTY.	REV.
101B	1001099835	Gortrac Brand Power Track		
		Replacement Parts:		
	70002001	Repair Section - 1 Foot	A/R	
	70002002	Mounting Bracket Kit	1	
102	Use 1001151542	Tube Weldment (Right Side) (was p/n 4844984)	1	
103	Use 1001151586	Tube Weldment (Left Side) (was p/n 4844983)	1	
104	3539228	Plate, Cover	1	
105	0641607	Bolt 3/8in-16NC x 7/8in	14	
106	3311605	Locknut 3/8in-16NC	6	
107	0100011	Compound, Locking	A/R	
108	0641403	Bolt 1/4in-20NC x 3/8in	10	
109	3539236	Plate, Hose Clamp	1	
110	0641516	Bolt 5/16in-18NC x 2in	2	
111		Plate Options:	2	
111A	3539412	Plate (Prior to S/N 0300034102)		
111B	3570375	Plate (S/N 0300034102 to S/N 0300069000)		
112	3841295	Rod	1	
113	4566892	Tube (Prior to S/N 0300034102)	1	
	4567241	Tube (S/N 0300034102 to S/N 0300069000)	1	
114	3450606	Pin, Cotter	2	
115	0641628	Bolt 3/8in-16NC x 3-1/2in	2	
116 to 121	Not Used			
122	0257573	Roller Hanger Assembly (Includes Items 201-205) (S/N 0300034084 to S/N 0300069000 Only)	1	
	0257573	ROLLER HANGER ASSEMBLY	Ref.	1/A
201	3570277	Plate (Left Side)	1	
202	3570270	Plate (Right Side)	1	
203	4567241	Roller, Tube	2	
204	3841347	Rod	2	
205	3450306	Pin, Cotter	4	
206	4751800	Flatwasher 1/2in Regular	4	

SECTION 3 BOOM

SECTION 3 BOOM

FIGURE 3-3. TOWER BOOM ASSEMBLIES (CONTINUED)

FIG & ITEM #	PART NUMBER	DESCRIPTION	QTY.	REV.

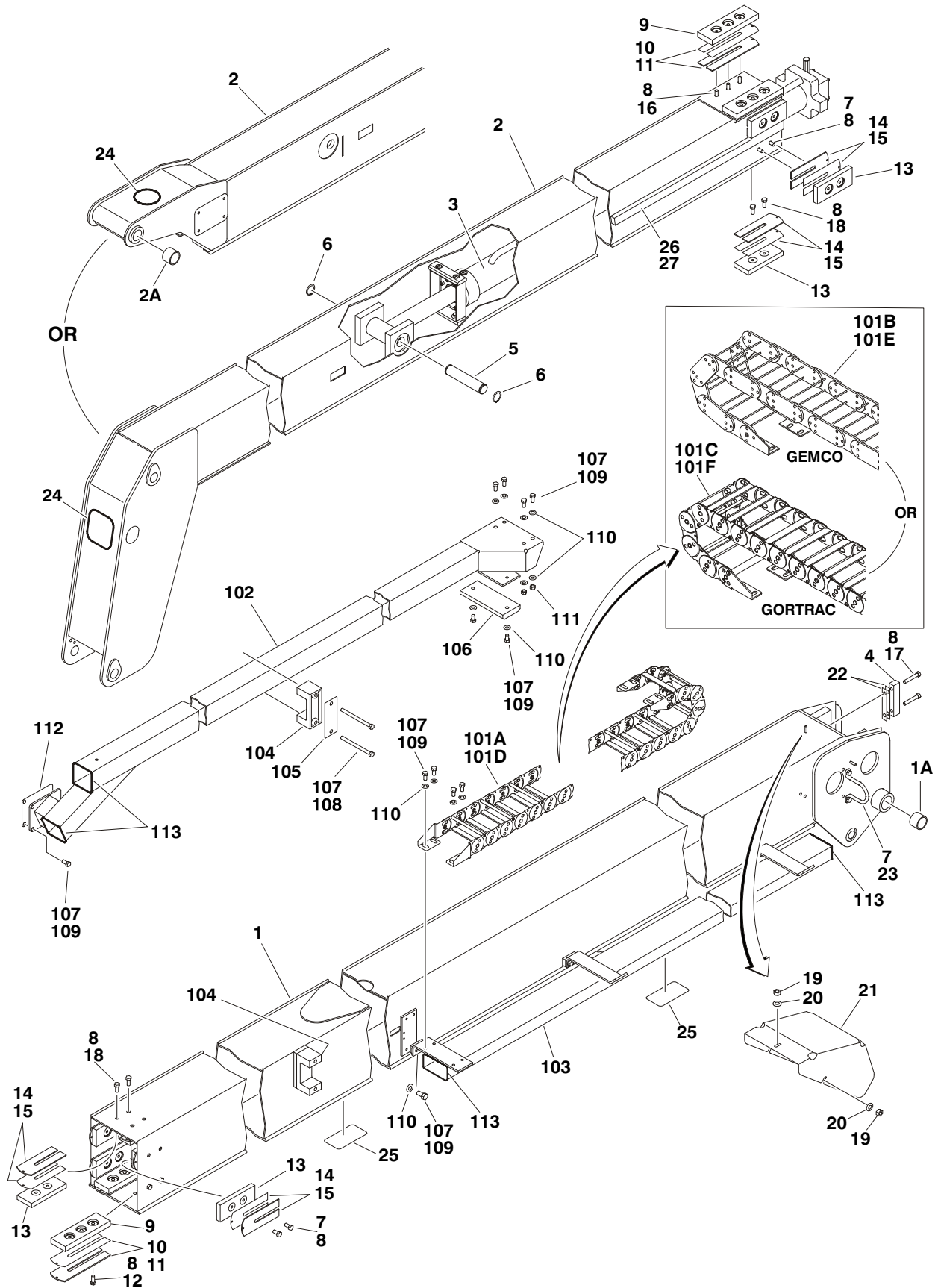
**S
E
C
T
I
O
N

3

B
O
O
M**

SECTION 3 BOOM

FIGURE 3-4. MAIN BOOM ASSEMBLIES



SECTION 3 BOOM

SECTION 3 BOOM

FIGURE 3-4. MAIN BOOM ASSEMBLIES

FIG & ITEM #	PART NUMBER	DESCRIPTION	QTY.	REV.
	0801022	BOOM ASSEMBLY - 600A	Ref.	12/F
	0801025	BOOM ASSEMBLY - 600AJ	Ref.	7/D
1		Base Weldment Options:	1	
	0801023	600A		
	0801026	600AJ		
1A	0961948	Bushing, Garmax (Note: Must be Purchased Separately)	2	
2		Fly Weldment Options:	1	
	0801066	600A (Prior to S/N 0300024714)		
	0801078	600A (S/N 0300024714 to S/N 0300053959)		
	0801228	600A (S/N 0300053959 to S/N 0300069000)		
	0801027	600AJ		
2A		Bushing, Garmax (Note: Must be Purchased Separately)	2	
	Not Required	600A		
	0961951	600AJ		
3		Telescope Cylinder Assembly Options: (See Section 5 for Breakdown)	1	
	1683307	600A		
	1683317	600AJ		
4	0561185	Block	2	
5	3422457	Pin	1	
6	3760133	Ring, Retaining	2	
7	0641606	Bolt 3/8in-16NC x 3/4in	18	
8	0100011	Compound, Locking	A/R	
9		Pad, Wear Options:	4	
	3340705	Prior to S/N 0300064394		
	3340871	S/N 0300064394 to S/N 0300069000		
10	4070863	Shim .12	A/R	
11	4070864	Shim .05	A/R	
12	0641610	Bolt 3/8in-16NC x 1-1/4in	6	
13		Pad, Wear Options:	12	
	3340756	Prior to S/N 0300064394		
	3340881	S/N 0300064394 to S/N 0300069000		
14	4070897	Shim .05	A/R	
15	4070898	Shim .12	A/R	
16	0641608	Bolt 3/8in-16NC x 1in	6	
17	0641618	Bolt 3/8in-16NC x 2-1/4in	4	
18	0641607	Bolt 3/8in-16NC x 7/8in	8	
19	3311401	Nut 1/4in-20NC	3	
20	4751400	Flatwasher 1/4in Regular	3	
21	1670768	Cover, Boom	1	
22	4070929	Shim	A/R	
23	Use 3841340	Clamp, Hose (S/N 0300027207 to S/N 0300033683) (was p/n 4845384)	1	
	3841340	Clamp, Hose (S/N 0300033683 to S/N 0300069000)	1	
24	4060805	Flex-Trim (S/N 0300027207 to S/N 0300069000)	A/R	
25	1670836	Cover, Boom (S/N 0300034047 to S/N 0300069000)	6	

SECTION 3 BOOM

SECTION 3 BOOM

FIGURE 3-4. MAIN BOOM ASSEMBLIES (CONTINUED)

FIG & ITEM #	PART NUMBER	DESCRIPTION	QTY.	REV.
26	4420060 Not Required	Tape, Two Sided Foam Options: 600A 600AJ	10ft./3m	
27	0362529 Not Required	Bar, Fiberglass Options: 600A 600AJ	1	
	0255281	POWER TRACK INSTALLATION - 600A	Ref.	6/E
	0255288	POWER TRACK INSTALLATION - 600AJ	Ref.	5/D
101		Power Track Assembly Options: Note: Various Power Tracks use on this model. Identify brand before ordering parts.	1 Ref.	
101A	Use 1001107153	600A - Gemco Brand Power Track (was p/n 1180336)		
101B		Replacement Parts:		
	7006140	1Ft. Repair Section (Includes 10 Link Pin, 4 Radius Links, 8 Carrier Links, 4 Rod Carrier, 8 Screws, 10 Slugs & 20 Bearing Plates)	A/R	
	7006151	Feet, Mounting	2 Pair	
	7006161	Rod	A/R	
	7006152	Pin Kit (Includes 1 pin, 1 Retaining Ring & 4 Washers)	A/R	
101C	1001107153	600A - Gortrac Brand Power Track		
		Replacement Parts:		
	70002011	Repair Section - 1 Foot	A/R	
	70002012	Mounting Bracket Kit	1	
101D	Use 1001099836	600AJ - Gemco Brand Power Track (was p/n 1180338)		
101E		Replacement Parts:		
	7016519	1Ft. Repair Section (Includes 10 Link Pin, 4 Radius Links, 8 Carrier Links, 4 Rod Carrier, 8 Screws, 10 Slugs & 20 Bearing Plates)	A/R	
	7006151	Feet, Mounting	2 Pair	
	7016521	Rod	A/R	
	7006158	Screw	A/R	
	7006152	Pin Kit (Includes 1 pin, 1 Retaining Ring & 4 Washers)	A/R	
101F	1001099836	600AJ - Gortrac Brand Power Track		
		Replacement Parts:		
	70001999	Repair Section - 2 Foot	A/R	
	70002000	Mounting Bracket Kit	1	
102		Tube Weldment Options:	1	
	4844969	600A		
	4844978	600AJ		
103		Support, Power Track Options:	1	
	4844972	600A		
	4844979	600AJ		
104	3340764	Pad, Wear	2	
105	3538758	Plate, Cover Support	1	

SECTION 3 BOOM

SECTION 3 BOOM

FIGURE 3-4. MAIN BOOM ASSEMBLIES (CONTINUED)

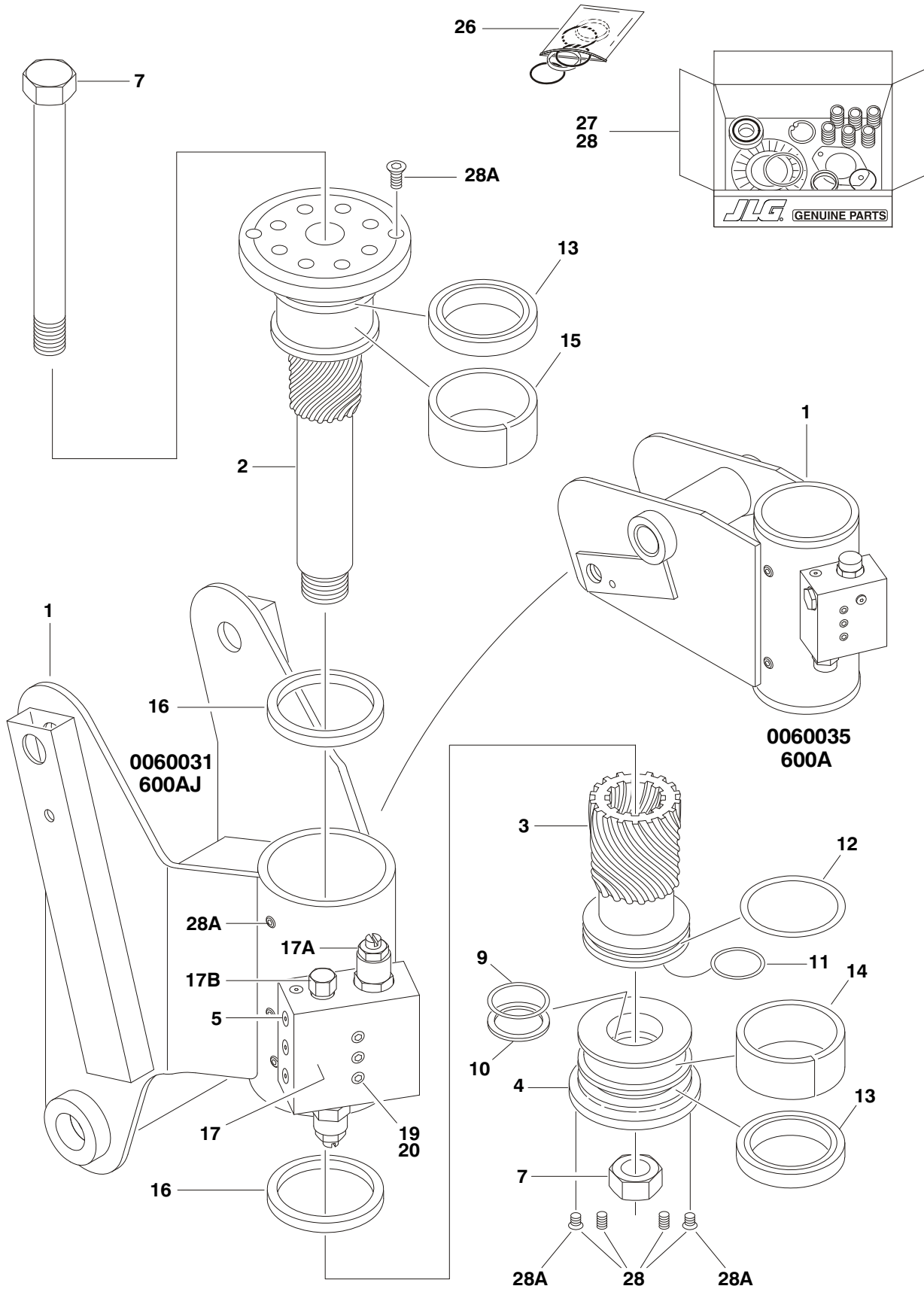
FIG & ITEM #	PART NUMBER	DESCRIPTION	QTY.	REV.
106	Not Used	Pad Options:	1	
	3340787	600A		
	3340765	600AJ		
107	0100011	Compound, Locking	A/R	
108	0641640	Bolt 3/8in-16NC x 5in	2	
109	0641606	Bolt 3/8in-16NC x 3/4in	22	
110	4711600	Flatwasher 3/8in Thin	18	
111	3311605	Locknut 3/8in-16NC	4	
112	4070932	Shim	A/R	
113	4060804	Flex-Trim (S/N 0300027207 to S/N 0300069000)	A/R	

SECTION 3 BOOM

SECTION 3 BOOM

FIGURE 3-5. ROTATOR ASSEMBLIES (FRONT ENTRY PLATFORM)

SECTION 3 BOOM



SECTION 3 BOOM

FIGURE 3-5. ROTATOR ASSEMBLIES (FRONT ENTRY PLATFORM)

FIG & ITEM #	PART NUMBER	DESCRIPTION	QTY.	REV.
		ROTATOR ASSEMBLIES	Ref.	
	0060035	600A (Original Equipment)	Ref.	G
	0060076	600A (Service Replacement)	Ref.	B
	0060031	600AJ (Original Equipment)	Ref.	H
	0060074	600AJ (Service Replacement)	Ref.	B
		Note: Before ordering parts, identify whether original equipment rotator has been replaced with service replacement. Service replacement rotator uses spacer plate bolted on the top with 8 capscrews (Not shown - located at item 2). Original equipment rotator does not use spacer plate.	Ref.	
1	See Note	Housing/Ring Gear Assembly (Note: Note Available - Purchase Complete Assembly)	1	
2		Shaft Weldment Options:	1	
	7017177	0060035 Rotators		
	Use 7017177	0060031 Rotators (was p/n 7017117)		
	7017162	0060076 & 0060074 Rotators		
	See Note	Plate, Spacer (Not Shown) (0060076 & 0060074 Rotators Only) (Note: Note Available for Purchase)	1	
3		Piston/Sleeve Options:	1	
	7017115	0060035 & 0060031 Rotators		
	7017163	0060076 & 0060074 Rotators		
4		Cap, End Options:	1	
	7017174	0060035 Rotators		
	Use 7017174	0060031 Rotators (was p/n 7017116)		
	7017164	0060076 & 0060074 Rotators		
5	See Note	Plug, Port (Note: Note Available for Purchase)	6	
6	Not Used		2	
7	7017102	Tie-Rod/Locknut Assy (Prior to S/N 0300039950)	1	
	7017119	Bolt 1in-8NC x 11in (S/N 0300039950 to S/N 0300069000)	1	
	3272605	Locknut 1in-8NC (S/N 0300039950 to S/N 0300069000)	A/R	
8	Not Used			
9	See Note	Seal, Cap (Note: Use Item 26)	1	
10	See Note	Ring, Back-up (Cap) (Note: Use Item 26)	1	
11	See Note	Seal, Rod (Note: Use Item 26)	1	
12	See Note	Seal, Piston (Note: Use Item 26)	1	
13	See Note	Packing, Bearing (Note: Use Item 26)	2	
14	See Note	Bearing, Cap (Note: Use Item 27)	1	
15	See Note	Bearing, Shaft (Note: Use Item 27)	1	
16	See Note	Thrustwasher (Note: Use Item 27)	2	
17		Valve Assembly Options:	1	
	Use 7017183	0060035 & 0060031 Rotators (was p/n 7017101)		
	7017183	0060076 & 0060074 Rotators		
17A		Cartridge, Valve Options:	2	
	7011331	Cartridge for Helac p/n 24736		
	7017193	Cartridge for Helac p/n 27600		

SECTION 3 BOOM

SECTION 3 BOOM

FIGURE 3-5. ROTATOR ASSEMBLIES (FRONT ENTRY PLATFORM)

FIG & ITEM #	PART NUMBER	DESCRIPTION	QTY.	REV.
17A cont'd	2900770	Seal Kit - 7011331 Valve	2	
	Use 7017183	Seal Kit - 7017193 Valve (Note: Not Available for Purchase)	2	
17B		Cartridge, Valve Options:	A/R	
	7011332	Cartridge for Helac p/n 24736		
	See Note	Cartridge for Helac p/n 27600 (Not Shown - Located on Side of Valve Block) (Note: Not Available for Purchase)	1	
	7011346	Seal Kit - 7011332 Valve	2	
	See Note	Seal Kit - Valve Located on Side of Block (Note: Not Available for Purchase)	1	
18	7017118	Setscrew (0060035 & 0060031 Rotators Only)	2	
19	See Note	Bolt 1/4in-20NC (Grade 8) (Note: Not Available for Purchase)	3	
20	3790110	O-Ring (Not Shown - Located between Valve & Actuator Housing)	3	
21 to 25	Not Used			
26		Seal Kit Options (Includes Items 9-13):	1	
	7017157	0060035 & 0060031 Rotators		
	7017158	0060076 & 0060074 Rotators		
27		Bearing Kit Options (Includes Items 14-16):	1	
	7017106	0060035 Rotators		
	7017156	0060031 Rotators		
	7017159	0060076 & 0060074 Rotators		
28	7017142	Hardware Kit Hardware Kit for 0060035 & 0060031 Rotators (Includes End Cap Dowel Pins & Items 6 & 28A)	1	
28A	70001697	Screw, Countersunk 1/4in-20NC x 3/8in Grade 8	6	

SECTION 3 BOOM

SECTION 3 BOOM

FIGURE 3-5. ROTATOR ASSEMBLIES (FRONT ENTRY PLATFORM)

FIG & ITEM #	PART NUMBER	DESCRIPTION	QTY.	REV.

**S
E
C
T
I
O
N

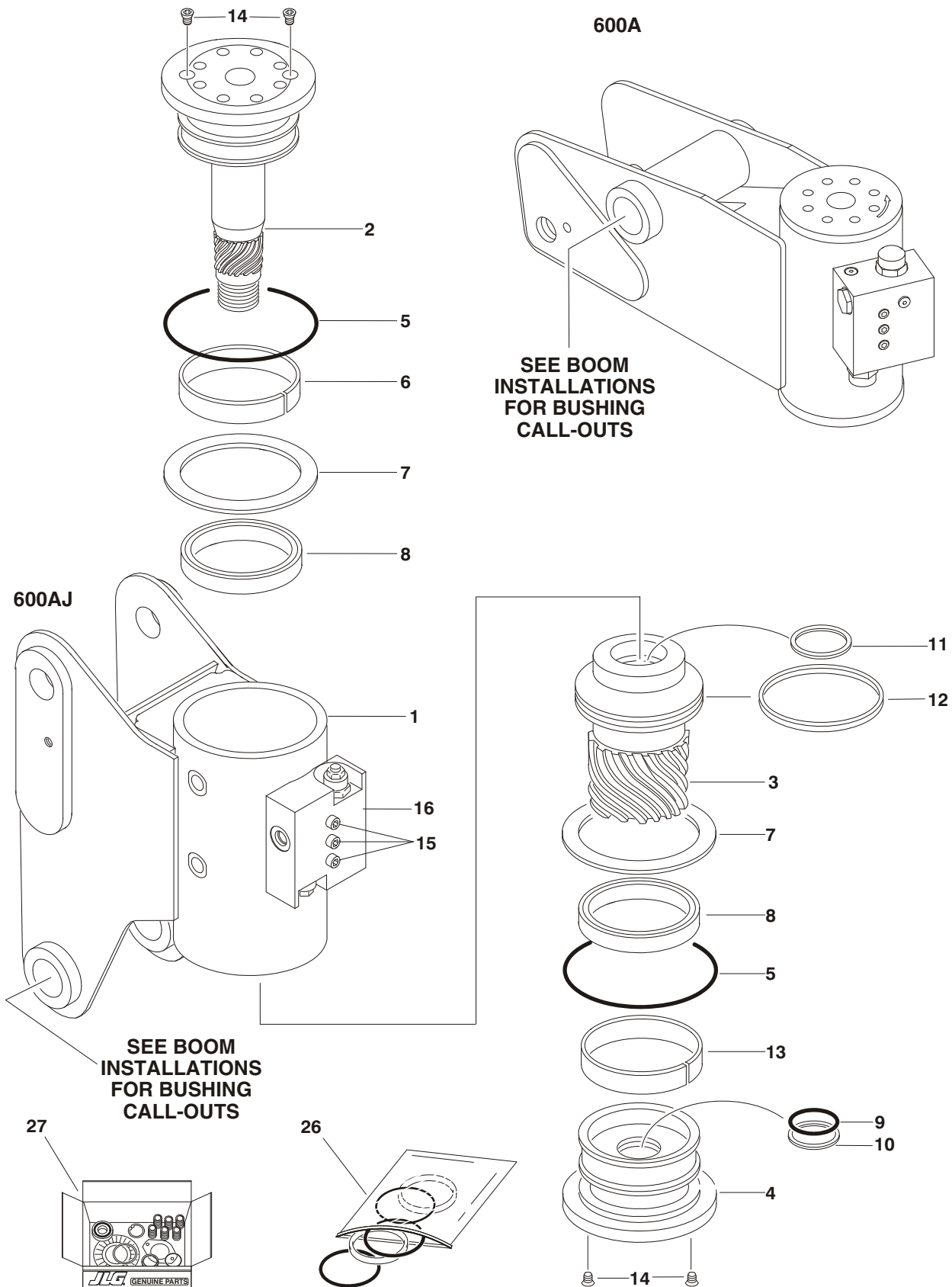
3

B
O
O
M**

SECTION 3 BOOM

FIGURE 3-6. ROTATOR ASSEMBLIES (SIDE ENTRY PLATFORM)

SECTION 3 BOOM



SECTION 3 BOOM

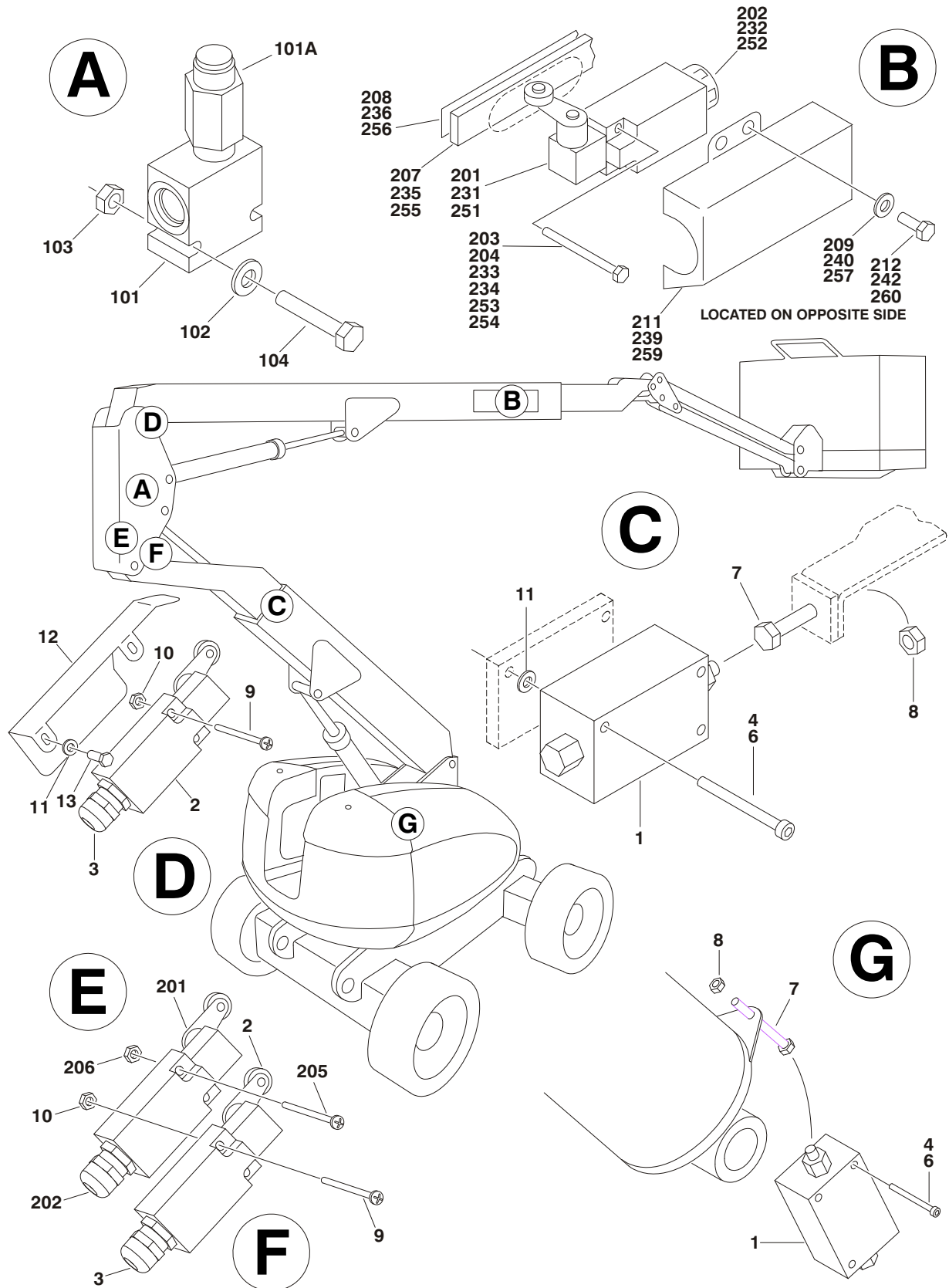
FIGURE 3-6. ROTATOR ASSEMBLIES (SIDE ENTRY PLATFORM)

FIG & ITEM #	PART NUMBER	DESCRIPTION	QTY.	REV.
		ROTATOR ASSEMBLIES	Ref.	
	0060068	600A	Ref.	A
	0060066	600AJ	Ref.	C
1	See Note	Housing/Ring Gear Assembly (Note: Not Available - Purchase Complete Assembly)	1	
2	7017162	Weldment, Shaft	1	
3	7017163	Piston/Sleeve Assembly	1	
4	7017164	Cap, End	1	
5	Use 7017158	O-Ring	2	
6	Use 7017159	Bearing, Shaft	1	
7	Use 7017159	Thrustwasher	2	
8	Use 7017158	Packing, Bearing	2	
9	Use 7017158	Seal, Cap	1	
10	Use 7017158	Ring, Back-Up Cap	1	
11	Use 7017158	Seal, Rod	1	
12	Use 7017158	Seal, Piston	1	
13	Use 7017159	Bearing, Cap	1	
14	70001697	Capscrew 1/4in-20NC x 3/8in (Grade 8)	6	
15	See Note	Bolt1/4in-20 (Grade 8) (Note: Not Available for Purchase)	3	
16	7017183	Valve Assembly	1	
	7017193	Cartridge, Valve	2	
	See Note	Seal Kit - 7017193 Valve (Note: Not Available for Purchase)	2	
	See Note	Cartridge, Valve (Not Shown - Located on Side of Block) (Note: Not Available for Purchase)	1	
	See Note	Seal Kit - Valve Located on Side of Block (Note: Not Available for Purchase)	1	
17 to 25	Not Used			
26	7017158	Seal Kit (Includes Items 5 & 8-12)	1	
27	7017159	Bearing Kit (Includes Items 6, 7 & 13)	1	

SECTION 3 BOOM

SECTION 3 BOOM

FIGURE 3-7. VALVES AND SWITCHES INSTALLATION (BOOM MOUNTED)



SECTION 3 BOOM

SECTION 3 BOOM

FIGURE 3-7. VALVES AND SWITCHES INSTALLATION (BOOM MOUNTED)

FIG & ITEM #	PART NUMBER	DESCRIPTION	QTY.	REV.
	0255438	BOOM VALVES AND LIMIT SWITCHES INSTALLATION (STANDARD)	Ref.	6/G
1	4640925 4641045 4641105 4641139	Valve, Manual 2-Way Options: (Prior to S/N 0300037959) (S/N 0300037959 to S/N 0300042378) (S/N 0300042378 to S/N 0300049399) (S/N 0300049399 to S/N 0300069000)	2	
2	See Note	Switch, Limit (was p/n 4360322 - Purchase p/ns 4360578 & 4460968 as Replacement)	2	
3	4460428 4460968	Connector, Strain Relief Options: Use with p/n 4360322 Switch Use with p/n 4360578 Switch	2	
4	3931430	Bolt, Socket Head 1/4in-20NC x 1-7/8in	6	
5	Not Used			
6	0100011	Compound, Locking	A/R	
7	0630427	Bolt, Special	2	
8	3311801	Nut 1/2in-13NC	2	
9	3930824	Bolt, Socket Head #8-32NC x 1-1/2in	4	
10	3310801	Nut #8-32NC	4	
11	4751400	Flatwasher 1/4in Regular	8	
12	1670819	Cover, Switch (S/N 0300027349 to S/N 0300069000)	1	
13	3931408	Bolt, Socket 1/4in-20NC x 1/2in (S/N 0300027349 to S/N 0300069000)	2	
	0255440	VALVES INSTALLATION - 600A 2WS	Ref.	9
	0255441	VALVES INSTALLATION - 600AJ 2WS	Ref.	11
	0255442	VALVES INSTALLATION - 600A 4WS	Ref.	9
	0255443	VALVES INSTALLATION - 600AJ 4WS	Ref.	9
101	4640929	Valve Assembly (Relief)	1	
101A	7012970	Cartridge	1	
	7012953	Seal Kit - 7012970 Cartridge	1	
102	4711400	Flatwasher 1/4in Thin	2	
103	3311405	Locknut 1/4in-20NC	2	
104	0641424	Bolt 1/4in-20NC x 3in	2	
	0255699	LIMIT SWITCHES INSTALLATION - 600A DUAL CAPACITY	Ref.	3/C
201	See Note	Switch, Limit (was p/n 4360322 - Purchase p/ns 4360578 & 4460968 as Replacement)	2	
202	4460428 4460968	Connector, Strain Relief Options: Use with p/n 4360322 Switch Use with p/n 4360578 Switch	2	
203	0100035	Compound, Locking	A/R	
204	3930816	Bolt, Socket Head #8-32NC x 1in	2	
205	3930824	Bolt, Socket Head #8-32NC x 1-1/2in	2	
206	3310805	Locknut #8-32NC	2	
207	0362529	Bar, Fiberglass	1	

SECTION 3 BOOM

SECTION 3 BOOM

FIGURE 3-7. VALVES AND SWITCHES INSTALLATION (BOOM MOUNTED) (CONTINUED)

FIG & ITEM #	PART NUMBER	DESCRIPTION	QTY.	REV.
208	4420060	Tape, Foam	9.8ft/3m	
209	4751400	Flatwasher 1/4in Regular (S/N 0300028924 to S/N 0300069000)	4	
210	Not Used			
211	1670824	Cover, Switch (S/N 0300028924 to S/N 0300069000)	1	
212	0641403	Bolt 1/4in-20NC x 3/8in (S/N 0300028924 to S/N 0300069000)	4	
		8 METER SWITCH INSTALLATIONS	Ref.	
	0256346	Prior to S/N 0300035129 (Colored Wiring)	Ref.	2/A
	0257894	S/N 0300035129 to S/N 0300069000 (Numbered Colored Wiring)	Ref.	3/B
231	See Note	Switch, Limit (was p/n 4360322 - Purchase p/ns 4360578 & 4460968 as Replacement)	1	
232		Connector, Strain Relief Options:	1	
	4460428	Use with p/n 4360322 Switch		
	4460968	Use with p/n 4360578 Switch		
233	0100035	Compound, Locking	A/R	
234	3930816	Bolt, Socket Head #8-32NC x 1in	2	
235	0362612	Bar, Fiberglass	1	
236	4420060	Tape, Foam	7.1in/2.2m	
237	1060016	Cable, Electrical - 16/3 (Not Shown)	18ft/5.5m	
238	Not Used			
239	1670820	Cover, Switch (S/N 0300028924 to S/N 0300069000)	1	
240	4751400	Flatwasher 1/4in Regular (S/N 0300028924 to S/N 0300069000)	4	
241	Not Used			
242	0641403	Bolt 3/8in-16NC x 3/8in (S/N 0300028924 to S/N 0300069000)	4	
243	3539055	Plate (Welded on part) (Not Shown) (S/N 0300049751 to S/N 0300069000)	1	
	0256331	TRANSPORT POSITION SWITCHES INSTALLATION - 600A (EURO SPEC ONLY)	Ref.	2/A
	0256336	TRANSPORT POSITION SWITCHES INSTALLATION - 600AJ (EURO SPEC ONLY)	Ref.	2/A
251	See Note	Switch, Limit (was p/n 4360322 - Purchase p/ns 4360578 & 4460968 as Replacement)	1	
252		Connector, Strain Relief Options:	1	
	4460428	Use with p/n 4360322 Switch		
	4460968	Use with p/n 4360578 Switch		
253	0100035	Compound, Locking	A/R	
254	3930816	Bolt, Socket Head #8-32NC x 1in	2	
255		Bar, Fiberglass Options:	1	
	0362611	600A		
	0362529	600AJ		

SECTION 3 BOOM

SECTION 3 BOOM

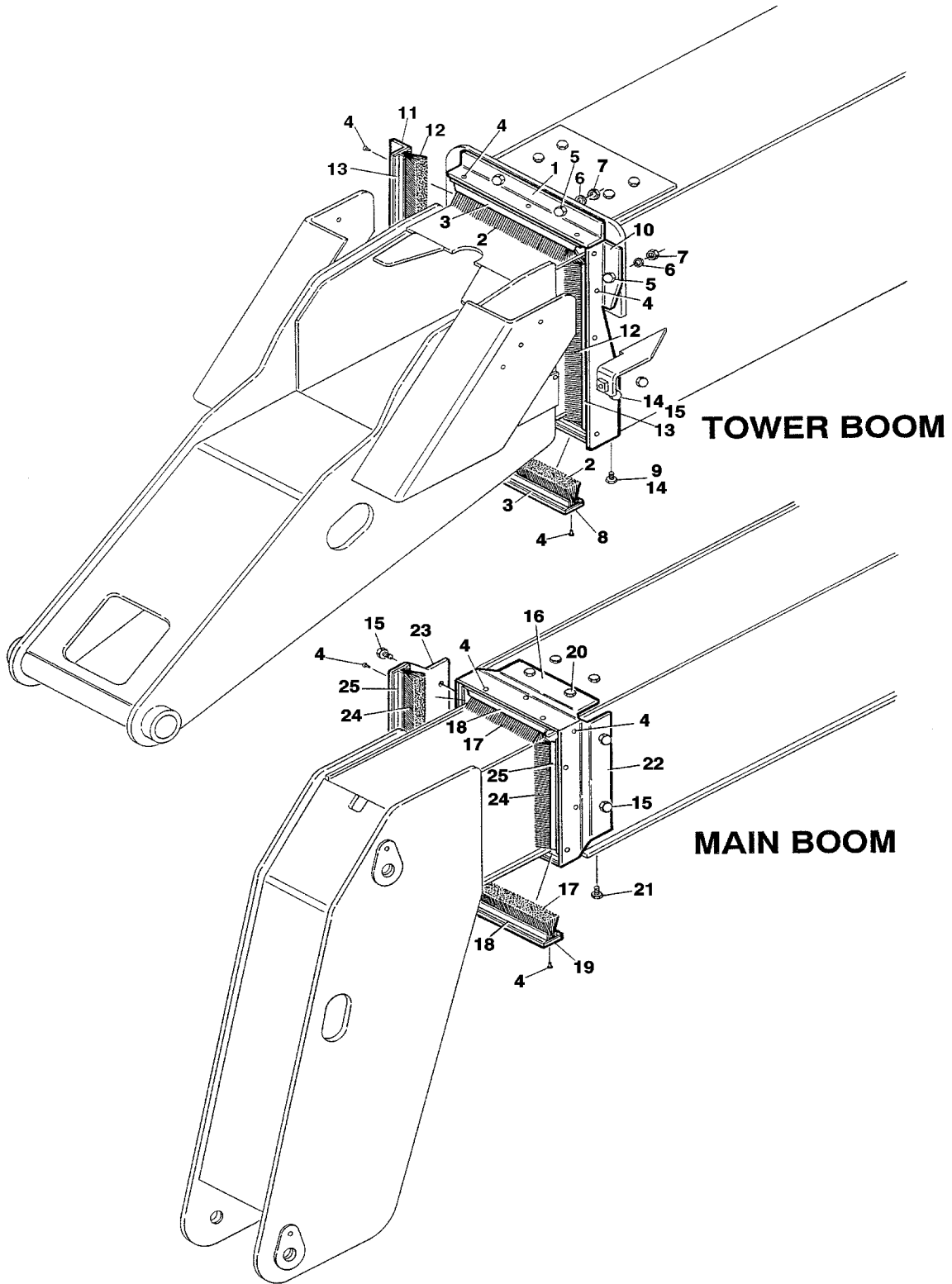
FIGURE 3-7. VALVES AND SWITCHES INSTALLATION (BOOM MOUNTED) (CONTINUED)

FIG & ITEM #	PART NUMBER	DESCRIPTION	QTY.	REV.
256	4420060	Tape, Foam 600A 600AJ	A/R 161in/4m 127in/3.2m	
257	4751400	Flatwasher 1/4in Regular (S/N 0300028924 to S/N 0300069000)	4	
258	Not Used			
259	1670824	Cover, Switch (S/N 0300028924 to S/N 0300069000)	1	
260	0641403	Bolt 3/8in-16NC x 3/8in (S/N 0300028924 to S/N 0300069000)	4	

SECTION 3 BOOM

SECTION 3 BOOM

FIGURE 3-8. BOOM WIPERS INSTALLATIONS (OPTIONAL)



SECTION 3 BOOM

FIGURE 3-8. BOOM WIPERS INSTALLATIONS (OPTIONAL)

FIG & ITEM #	PART NUMBER	DESCRIPTION	QTY.	REV.
		BOOM WIPER INSTALLATION (STANDARD PARTS)	Ref.	
	0256276	BOOM WIPERS INSTALLATION - 600A	Ref.	2
	0256366	BOOM WIPERS INSTALLATION - 600AJ	Ref.	3
1	3200386	Mount, Wiper (Tower Top)	2	
2	0540078	Brush, Wiper (Tower Top and Bottom)	2	
3	2660071	Holder, Brush (Tower Top and Bottom)	2	
4	3820001	Rivet	30	
5	0641409	Bolt 1/4in-20NC x 1-1/8in	8	
6	4761400	Lockwasher 1/4in	8	
7	3311401	Nut 1/4in-20NC	8	
8	3200388	Mount, Wiper (Tower Bottom) (Prior to S/N 0300038141)	1	
9	0641611	Bolt 3/8in-16NC x 1-3/8in (Prior to S/N 0300038141)	2	
10	3200387	Mount, Wiper (Tower Side - Left Side) (Prior to S/N 0300038141)	1	
	3200407	Mount, Wiper (Tower Side - Left Side) (S/N 0300038141 to S/N 0300069000)		
11	3200393	Mount, Wiper (Tower Side - Right Side) (Prior to S/N 0300038141)	1	
	3200408	Mount, Wiper (Tower Side - Right Side) (S/N 0300038141 to S/N 0300069000)		
12	0540099	Brush, Wiper (Tower Side)	2	
13	2660099	Holder, Brush (Tower Side)	2	
14	0100011	Compound, Locking	A/R	
15	0641607	Bolt 3/8in-16NC x 7/8in	4	
16	3200389	Mount, Wiper (Main Top)	1	
17	0540083	Brush, Wiper (Main Top and Bottom)	2	
18	2660082	Holder, Brush (Main Top and Bottom)	2	
19	3200390	Mount, Wiper (Main Bottom)	1	
20	0641608	Bolt 3/8in-16NC x 1in	2	
21	0641611	Bolt 3/8in-16NC x 1-3/8in	2	
22		Mount, Wiper (Main Side - Left Side) Options:	1	
	3200394	600A		
	3200396	600AJ		
23		Mount, Wiper (Main Side - Right Side) Options:	1	
	3200395	600A		
	3200397	600AJ		
24		Brush, Wiper (Main Side)	2	
	0540104	600A		
	0540104	600AJ (Prior to S/N 0300049396)		
	0540107	600AJ (S/N 0300049396 to S/N 0300069000)		
25		Holder, Brush (Main Side)	2	
	2660105	600A		
	2660105	600AJ (Prior to S/N 0300049396)		
	2660109	600AJ (S/N 0300049396 to S/N 0300069000)		

SECTION 3 BOOM

FIGURE 3-8. BOOM WIPERS INSTALLATIONS (OPTIONAL) (CONTINUED)

FIG & ITEM #	PART NUMBER	DESCRIPTION	QTY.	REV.

**S
E
C
T
I
O
N

3

B
O
O
M**

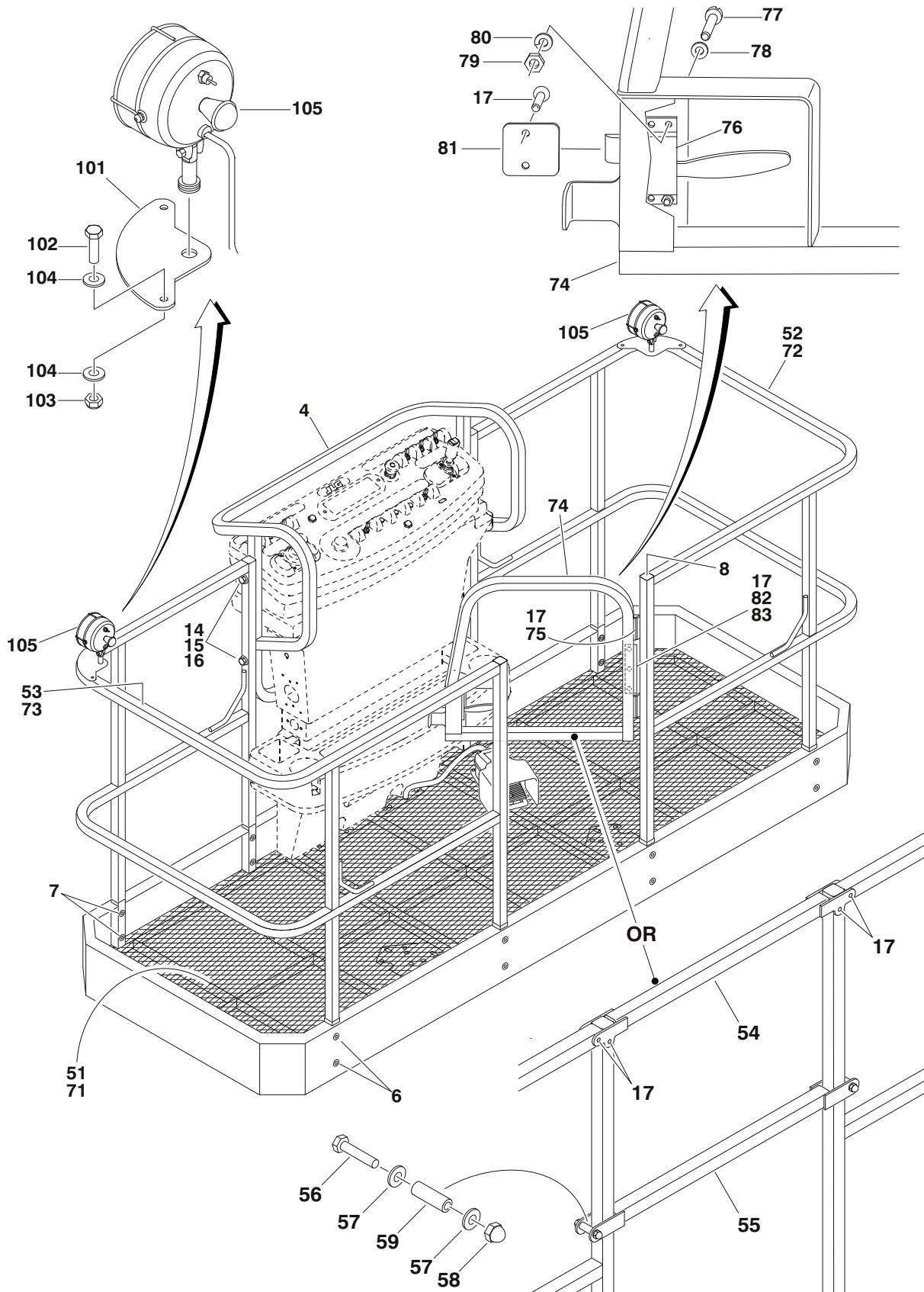
SECTION 4 PLATFORM

TABLE OF CONTENTS		
FIGURE	DESCRIPTION	PAGE
4-1	PLATFORM COMPONENTS INSTALLATION (FRONT ENTRY)	4-2
4-2	PLATFORM COMPONENTS INSTALLATION (SIDE ENTRY)	4-6
4-3	PLATFORM CONSOLE ASSEMBLY (PRIOR TO S/N 0300064249)	4-10
4-4	PLATFORM CONSOLE ASSEMBLIES (WITH ADE SYSTEM) (S/N 0300064249 TO S/N 0300069000)	4-16
4-5	CONTROLLER ASSEMBLY (SWING AND LIFT) (PRIOR TO S/N 0300039749)	4-20
4-6	CONTROLLER ASSEMBLY (SWING AND LIFT) (S/N 0300039749 TO S/N 0300064249) . . .	4-24
4-7	CONTROLLER ASSEMBLY (SWING AND LIFT) (WITH ADE SYSTEM) (S/N 0300064249 TO S/N 0300069000)	4-26
4-8	CONTROLLER ASSEMBLY (DRIVE AND STEER) (PRIOR TO S/N 0300039749)	4-30
4-9	CONTROLLER ASSEMBLY (DRIVE AND STEER) (S/N 0300039749 TO S/N 0300064249)	4-34
4-10	CONTROLLER ASSEMBLY (DRIVE AND STEER) (WITH ADE SYSTEM) (S/N 0300064249 TO S/N 0300069000)	4-36
4-11	SOFT TOUCH SYSTEM INSTALLATION (OPTIONAL)	4-40
4-12	LOAD SENSING SYSTEM INSTALLATION (FRONT ENTRY PLATFORM)	4-44

SECTION 4 PLATFORM

SECTION 4 PLATFORM

FIGURE 4-1.PLATFORM COMPONENTS INSTALLATION (FRONT ENTRY)



SECTION 4 PLATFORM

SECTION 4 PLATFORM

FIGURE 4-1. PLATFORM COMPONENTS INSTALLATION (FRONT ENTRY)

FIG & ITEM #	PART NUMBER	DESCRIPTION	QTY.	REV.
		PLATFORM OPTIONS:	Ref.	
	3510751	5ft/1.52m Platform - With Self-Closing Gate (EN280 & CE Specs)	Ref.	2
	3510728	5ft/1.52m Platform - With Self-Closing Gate (Australian Spec)	Ref.	3
	3510499	6ft/1.83m Platform - With Drop Bar (EN280 & CE Specs)	Ref.	3/A
	3510763	6ft/1.83m Platform - With Drop Bar (Mesh to Mid Rail) (EN280 & CE Specs)	Ref.	1/A
	3510537	6ft/1.83m Platform - With Self-Closing Gate (EN280 Spec)	Ref.	2
	3510542	6ft/1.83m Platform - (Australian Spec)	Ref.	3
	3510500	8ft/2.44m Platform - With Drop Bar (EN280 & CE Specs)	Ref.	2/A
	3510764	8ft/2.44m Platform - With Drop Bar (Mesh to Mid Rail) (EN280 & CE Specs)	Ref.	1/A
	3510538	8ft/2.44m Platform - With Self-Closing Gate (EN280 Spec)	Ref.	2
	3510543	8ft/2.44m Platform - (Australian Spec)	Ref.	3
		PLATFORM ASSEMBLY (STANDARD PARTS)	Ref.	
1 to 3	Not Used			
4		Rail Weldment - Back Options:	1	
	4844927	Prior to S/N 0300026233		
	4845328	S/N 0300026233 to S/N 0300069000		
5	Not Used			
6	3900207	Fastener	A/R	
		Note: P/N 3900207 Fastener may be replaced with p/n 0641416 bolt, p/n 4751400 flatwasher, p/n 3311405 locknut and p/n 3300151 acorn type nut. Acorn type nut required to meet industry safety requirements.	Ref.	
7	3300393	Collar	A/R	
8	3520072	Plug, Cap	4	
9 to 13	Not Used			
14	0641524	Bolt 5/16in-18NC x 3in	4	
15	3311505	Locknut 5/16in-18NC	4	
16	4751500	Flatwasher 5/16in Regular	4	
17	2080040	Fastener	A/R	
	7016652	Fastener Tool (Small Fasteners Only)	1	
		PLATFORM ASSEMBLIES - WITH DROP BAR (VARIABLE PARTS)	Ref.	
51		Floor Weldment Options:	1	
	4846184	5ft/1.52m Platforms		
	4845290	6ft/1.83m Platforms		
	4845289	8ft/2.44m Platforms		

SECTION 4 PLATFORM

SECTION 4 PLATFORM

FIGURE 4-1. PLATFORM COMPONENTS INSTALLATION (FRONT ENTRY) (CONTINUED)

FIG & ITEM #	PART NUMBER	DESCRIPTION	QTY.	REV.
52		Rail Weldment - Right Side Options:	1	
	4846194	5ft/152m Platforms		
	4844955	6ft/1.83m Platforms		
	4846228	6ft/1.83m Platforms (Mesh to Mid Rail)		
	4844924	8ft/2.44m Platforms		
53	4846240	8ft/2.44m Platforms (Mesh to Mid Rail)	1	
		Rail Weldment - Left Side Options:		
	4846195	5ft/1.52m Platforms		
	4844956	6ft/1.83m Platforms		
	4846229	6ft/1.83m Platforms (Mesh to Mid Rail)		
54	4844925	8ft/2.44m Platforms	1	
	4846241	8ft/2.44m Platforms (Mesh to Mid Rail)		
55	4845287	Rail Weldment - Top	1	
56	4845288	Bar, Drop	1	
57	0641418	Bolt 1/4in-20NC x 2-1/4in	2	
58	4740411	Washer, Nylon	4	
59	3300151	Nut, Acorn 1/4in-20NC	2	
60	0961845	Bushing	2	
	4420055	Tape	7in/18cm	
		PLATFORM ASSEMBLIES WITH SELF-CLOSING GATE (VARIABLE PARTS)	Ref.	
71		Floor Weldment Options:	1	
	4846101	5ft/1.52m Platforms (Australian Spec)		
	4845290	6ft/1.83m Platforms (EN280 & CE Specs)		
	4844954	6ft/1.83m Platforms (Australian Spec)		
	4845289	8ft/2.44m Platforms (EN280 Spec)		
72	4844928	8ft/2.44m Platforms (Australian Spec)	1	
		Rail Weldment - Right Side Options:		
	4846102	5ft/152m Platforms (Australian Spec) (Prior to S/N 0300055241)		
	4846194	5ft/152m Platforms (Australian Spec) (S/N 0300055241 to S/N 0300069000)		
73	4844955	6ft/1.83m Platforms	1	
	4844924	8ft/2.44m Platforms		
		Rail Weldment - Left Side Options:		
74	4846103	5ft/1.52m Platforms (Australian Spec) (Prior to S/N 0300055241)	1	
	4846195	5ft/1.52m Platforms (Australian Spec) (S/N 0300055241 to S/N 0300069000)		
	4844956	6ft/1.83m Platforms		
75	4844925	8ft/2.44m Platforms	1	
		Gate (Prior to S/N 0300027649)		
76	4845327	Gate (S/N 0300027649 to S/N 0300069000)	1	
	4845426	Hinge Options:	2	
	2600219	Prior to S/N 0300068582		
	2600287	S/N 0300068582 to S/N 0300069000		
	2940074	Latch	1	

SECTION 4 PLATFORM

SECTION 4 PLATFORM

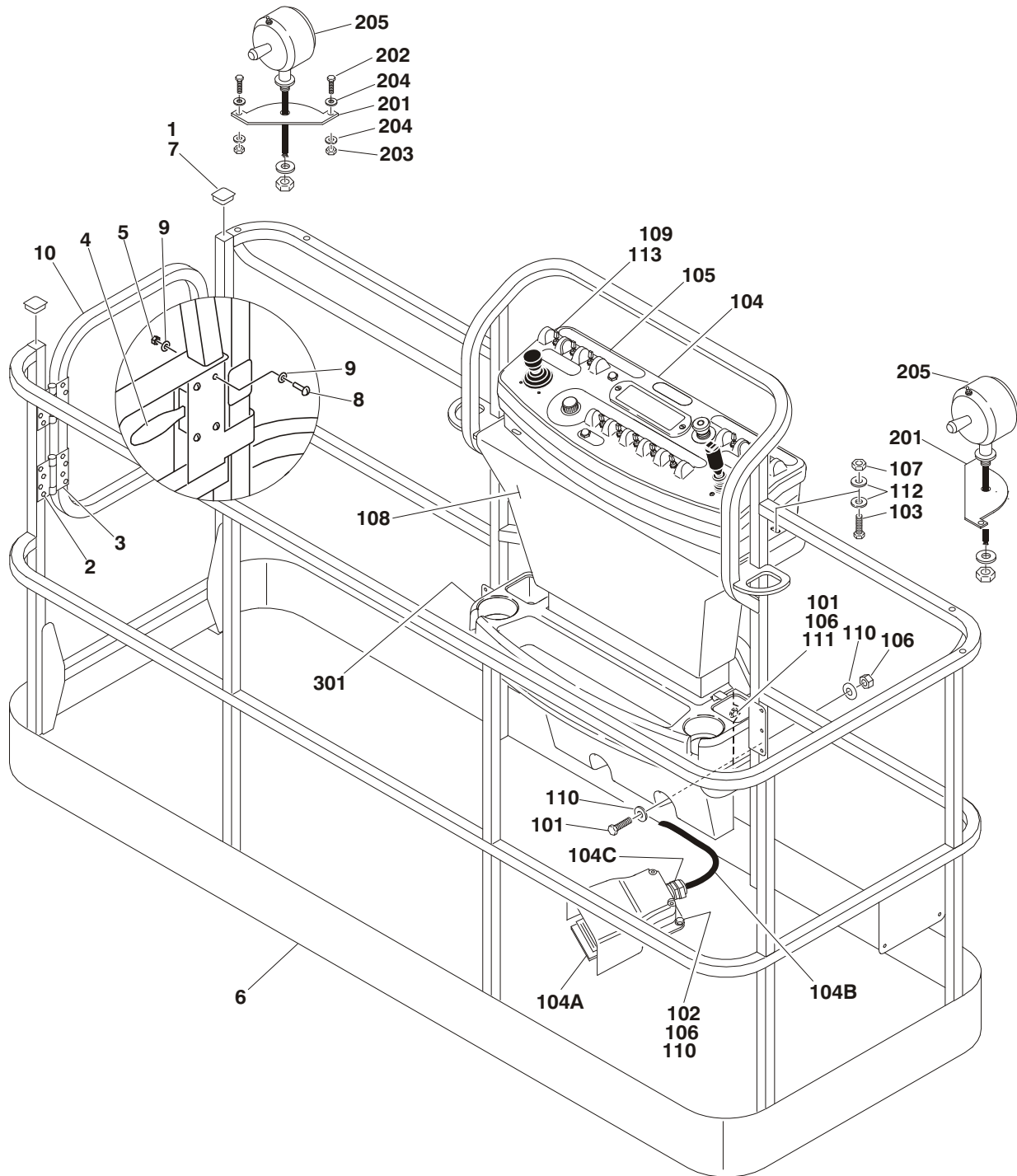
FIGURE 4-1. PLATFORM COMPONENTS INSTALLATION (FRONT ENTRY) (CONTINUED)

FIG & ITEM #	PART NUMBER	DESCRIPTION	QTY.	REV.
77	3911016	Screw, Machine #10-24NC x 2in	4	
78	4751000	Flatwasher #10 Regular	4	
79	3311005	Locknut #10-24NC	4	
80	4761000	Lockwasher #10 (Prior to S/N 0300068582)	4	
81	3539685	Plate, Catch	1	
82	4220165	Stop, Gate (Prior to S/N 0300027649)	1	
	4220168	Stop, Gate (S/N 0300027649 to S/N 0300069000) (EN280 & CE Spec)	1	
	4220165	Stop, Gate (S/N 0300027649 to S/N 0300069000) (Australian Spec)	1	
83	4060803	Trimlock	6ft/1.8m	
		PLATFORM WORKLIGHTS INSTALLATIONS (OPTIONAL)	Ref.	
	0255392	Prior to S/N 0300035129 (Colored Wiring)	Ref.	2/B
	0258048	S/N 0300035129 to S/N 0300064249 (Numbered Colored Wiring)	Ref.	2/F
	0270814	S/N 0300064249 to S/N 0300069000 (ADE System)	Ref.	3/E
101	3536089	Plate, Mounting	2	
102	0641414	Bolt 1/4in-20NC x 1-3/4in	4	
103	3311405	Locknut 1/4in-20NC	4	
104	4711400	Flatwasher 1/4in Thin	8	
105	2920140	Worklight	2	
	7016399	Bulb, Replacement (1 Per Worklight)	2	
106	4240099	Tie-Strap	10	
107	2820035	Loom, Vinyl (Not Shown)	9ft/2.8m	
108	4460042	End, Terminal (Not Shown)	2	
109	4460598	Connector, Strain Relief (Not Shown)	1	

SECTION 4 PLATFORM

SECTION 4 PLATFORM

FIGURE 4-2. PLATFORM COMPONENTS INSTALLATION (SIDE ENTRY)



SECTION 4 PLATFORM

SECTION 4 PLATFORM

FIGURE 4-2. PLATFORM COMPONENTS INSTALLATION (SIDE ENTRY)

FIG & ITEM #	PART NUMBER	DESCRIPTION	QTY.	REV.
		PLATFORM ASSEMBLIES:	Ref.	
	Use 1001144023	8ft (2.44m) with No Mesh (was p/n 3510822)	Ref.	B/A
	Use 1001144024	6ft (1.83m) with No Mesh (was p/n 3510833)	Ref.	B/A
		Note: When replacing 8ft/2.44m platform with Soft Touch option, new Soft Touch Rail p/n 4846673 must be purchased to accommodate limit switch locations.	Ref.	
		Note: When replacing platform on machines with SkyCutter option, new bracket p/n 1001145405 must be purchased to accommodate SkyCutter components.	Ref.	
1	0100040	Sealant, Adhesive	A/R	
2	2080040	Fastener, Huck	16	
3	2600281	Hinge, Self-Closing	2	
4	2940074	Latch	1	
5	3311001	Nut #10-24NC	4	
6	See Note	Platform Weldment (Note: Not Available - Purchase Platform Assembly)	1	
7	3520072	Cap-Plug	2	
8	3911008	Screw #10-24NC x 1in	4	
9	4751000	Flatwasher #10 Regular	8	
10		Gate Weldment Options:	1	
	4846452	Gate for Original Equipment Platform p/n 3510822, 3510833		
	1001144629	Gate for Service Replacement Platform p/ns 1001144023, 1001144024		
		CONSOLE BOX INSTALLATIONS	Ref.	
	0271945	2WD	Ref.	A
	0271941	4WD	Ref.	A
101	0641406	Bolt 1/4in-20NC x 3/4in	4	
102	0641408	Bolt 1/4in-20NC x 1in	3	
103	0641610	Bolt 3/8in-16NC x 1-1/4in	4	
104	0861517	Platform Console Box Assembly (See Figure 4-4 for Breakdown)	1	
104A	Use 0272970	Footswitch Assembly (Includes Footswitch & Items 104B & 104C)	1	
		Note: Assembly p/n 0272970 may use either p/n 4360031 or p/n 1001117320. If Original Equipment was replaced as an "assembly," p/n 1001117320 may have been used as part of the Service Replacement. Identify component before ordering parts.	Ref.	
		Footswitch Less Cable Options:	1	
	4360031	Original Equipment		
	1001117320	Service Replacement		
		Block, Contact Options (see Note Above):	A/R	
	7000625	Contact Block for 4360031 Footswitch	2	

SECTION 4 PLATFORM

SECTION 4 PLATFORM

FIGURE 4-2. PLATFORM COMPONENTS INSTALLATION (SIDE ENTRY) (CONTINUED)

FIG & ITEM #	PART NUMBER	DESCRIPTION	QTY.	REV.
104A (cont'd)	70003483	Contact Block for 1001117320 Footswitch	1	
104B	1060918	Cable, Electrical - 18/3	7ft/2.14m	
104C	4460071	Connector, Strain Relief	1	
105		Decal - Horn Options:	1	
	1702563	2WD		
	1702676	4WD		
106	3311405	Locknut 1/4in-20NC	7	
107	3311605	Locknut 3/8in-16NC	4	
108	3380434	Panel, Decal Mount	1	
109	4360331	Switch (4WD)	1	
110	4740362	Washer, Fender 1/4in	7	
111	4751400	Flatwasher 1/4in Regular	4	
112	4751600	Flatwasher 3/8in Regular	8	
113	3790012	O-Ring	1	
	0270814	WORKLIGHTS INSTALLATIONS (OPTIONAL)	Ref.	3/E
201	3536089	Plate, Mounting	2	
202	0641414	Bolt 1/4in-20NC x 1-3/4in	4	
203	3311405	Locknut 1/4in-20NC	4	
204	4711400	Flatwasher 1/4in Thin	8	
205	2920140	Worklight	2	
	7016399	Bulb, Replacement (1 Per Worklight)	2	
206	4240099	Tie-Strap (Not Shown)	10	
207	2820035	Loom, Vinyl (Not Shown)	9	
208	Not Used			
209	4460598	Connector, Strain Relief (Not Shown - Located at Console Box)	1	
		TRAY INSTALLATIONS (OPTIONAL)	Ref.	
301	1580012	Tray, Storage (Center)	1	
302	1580013	Tray, Storage (Rail Mounted - Not Shown)	1	

SECTION 4 PLATFORM

SECTION 4 PLATFORM

FIGURE 4-2. PLATFORM COMPONENTS INSTALLATION (SIDE ENTRY) (CONTINUED)

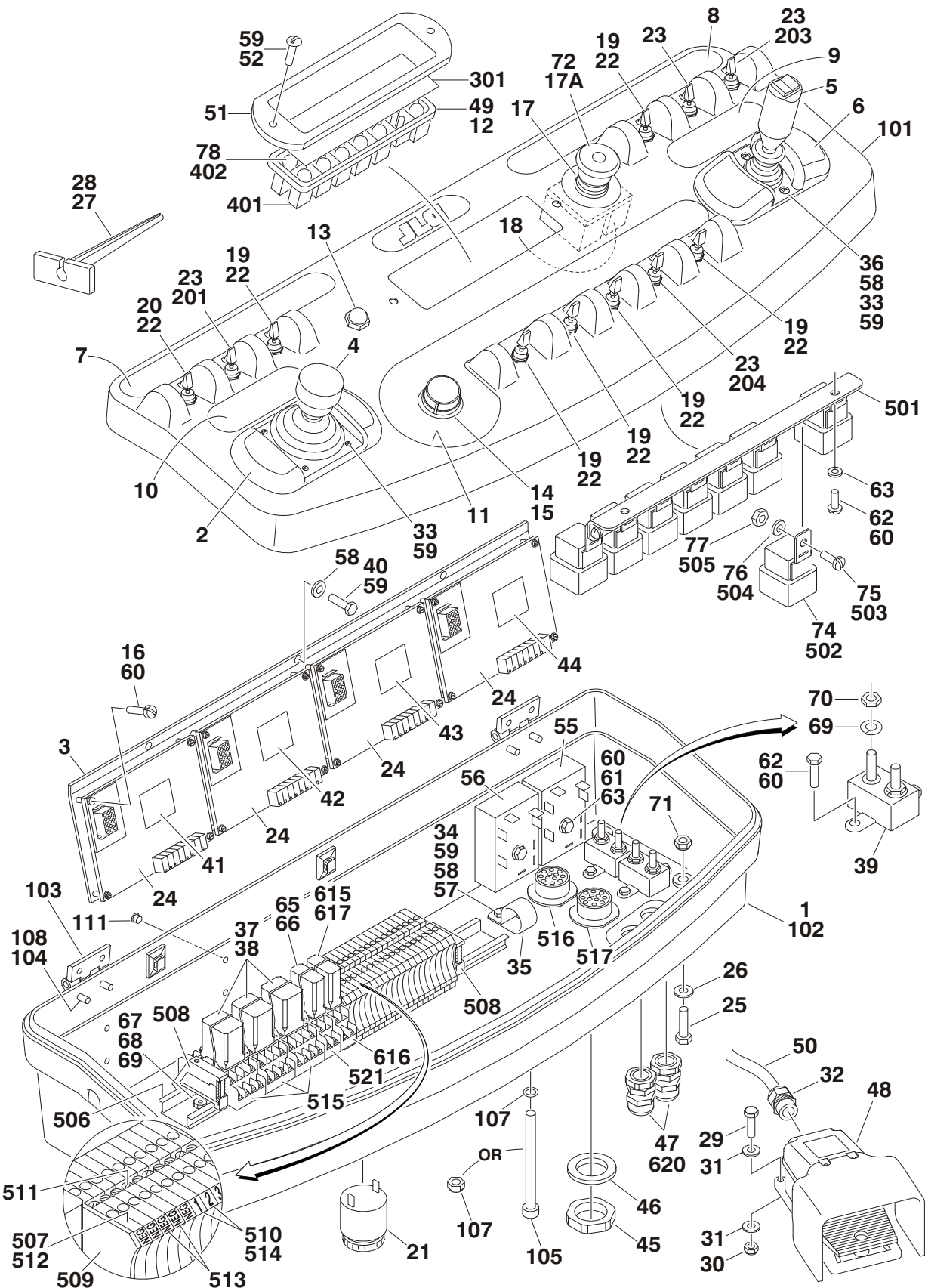
FIG & ITEM #	PART NUMBER	DESCRIPTION	QTY.	REV.

**S
E
C
T
I
O
N
4
P
L
A
T
F
O
R
M**

SECTION 4 PLATFORM

FIGURE 4-3.PLATFORM CONSOLE ASSEMBLY (PRIOR TO S/N 0300064249)

SECTION 4 PLATFORM



SECTION 4 PLATFORM

FIGURE 4-3. PLATFORM CONSOLE ASSEMBLY (PRIOR TO S/N 0300064249)

FIG & ITEM #	PART NUMBER	DESCRIPTION	QTY.	REV.
		Note: Numbered Colored Wiring starts with S/N 0300035129	Ref.	
		PLATFORM CONSOLE AND FOOTSWITCH ASSEMBLIES OPTIONS:	Ref.	
	0860986	2WD CE & EN280 Spec (Prior to S/N 0300035129)	Ref.	7/F
	0861136	2WD CE & EN280 Spec (S/N 0300035129 to S/N 0300064249)	Ref.	8/E
	0861084	2WD Australian Spec (Prior to S/N 0300035129)	Ref.	8/A
	0861135	2WD Australian Spec (S/N 0300035129 to S/N 0300064249)	Ref.	7/E
	0861048	4WD CE & EN280 Spec (Prior to S/N 0300035129)	Ref.	7/F
	0861137	4WD CE & EN280 Spec (S/N 0300035129 to S/N 0300064249)	Ref.	8/E
	0861083	4WD Australian Spec (Prior to S/N 0300035129)	Ref.	1/A
	0861134	4WD Australian Spec (S/N 0300035129 to S/N 0300064249)	Ref.	7/E
1	0860984	Box, Console Assembly (See Items 101-108 for Breakdown)	1	
2	4340678	Support, Hand	1	
3	3538819	Plate, Mounting	1	
4		Controller Assembly (Lift & Swing) Options:	1	
	1600242	Prior to S/N 0300039654 (See Figure 4-5 for Breakdown)		
	1600284	S/N 0300039654 to S/N 0300064249 (See Figure 4-6 for Breakdown)		
5		Controller Assembly (Drive & Steer) Options:	1	
	1600239	Prior to S/N 0300039654 (See Figure 4-8 for Breakdown)		
	1600283	S/N 0300039654 to S/N 0300064249 (See Figure 4-9 for Breakdown)		
6	4340684	Support, Hand	1	
7		Decal - Controls Options: (Console Left Side)	1	
	1702563	Prior to June 1996		
	1702676	June 1996 to S/N 0300064249		
8	1702564	Decal (Stop)	1	
9	1702565	Decal (Drive and Steer)	1	
10	1702566	Decal (Lift and Swing)	1	
11	1702567	Decal (Speed/Lower Lift/Tele/Rotate/Jib)	1	
12	2760105	Housing, Display Light	1	
13	4360387	Switch, Pushbutton	1	
14	2560136	Knob, Speed Control	1	
15	4360407	Controller, Speed	1	
	See Note	Gasket "Top Hat" (Included with Switch) (Note: Not Available - Purchase Complete Controller.)	1	
	70003784	Seal	1	
16	3910610	Screw #6-32NC x 5/8in	16	

SECTION 4 PLATFORM

FIGURE 4-3. PLATFORM CONSOLE ASSEMBLY (PRIOR TO S/N 0300064249) (CONTINUED)

FIG & ITEM #	PART NUMBER	DESCRIPTION	QTY.	REV.
17		Switch, Emergency Stop Options:	1	
	4360395	Prior to S/N 0300036019		
	4360289	S/N 0300035129 to S/N 0300044645		
	4360475	S/N 0300044645 to S/N 0300064249		
17A		Cap Options:	1	
	7016315	Cap, Red (Used on Switch p/n 4360395)		
	7012611	Cap, Mushroom Head (Used on Switch p/n 4360289)		
	7012612	Boot (Used on Switch p/n 4360289)	1	
	7020175	Cap, Red (Used on Switch p/n 4360475)		
	7020176	Block, Contact (S/N 0300044645 to S/N 0300064249)		
18		Block, Contact Options:	1	
	4360282	Prior to S/N 0300044645		
	4360476	S/N 0300044645 to S/N 0300064249		
19	4360314	Switch, Toggle	6	
20		Switch, Toggle Options:	1	
	4360345	2WD		
	4360331	4WD		
21	0140026	Alarm	1	
22	3790012	O-Ring	7	
23	3520028	Plug, Hole (For switch call-outs at these locations, refer to options installation below)	4	
24	1600218	Card, Control	4	
	7016346	Fuse - 5 Amp (1Per Card)	4	
25		Bolt Options:	4	
	0641606	Bolt 3/8in-16NC x 3/4in (Prior to S/N 0300039778)		
	0641610	Bolt 3/8in-16NC x 1-1/4in (S/N 0300039778 to S/N 0300064249)		
26	4751600	Flatwasher 3/8in Regular	4	
27	4460467	Tool, Pin Extraction (Blue 16-18 Gauge) (Not Shown)	1	
28	4460510	Tool, Pin Extraction (Yellow 12-14 Gauge) (Not Shown)	1	
29	0641408	Bolt 1/4in-20NC x 1in	3	
30	3311405	Locknut 1/4in-20NC	3	
31	4740362	Washer, Fender 1/4in	3	
32	4460071	Connector, Strain Relief	1	
33	0641404	Bolt 1/4in-20NC x 1/2in	8	
34	3311401	Nut 1/4in-20NC	1	
35	1320060	Clamp	1	
36	1320095	Clamp	1	
37	3740058	Relay - 4PDT	3	
38	3740063	Spring, Relay	3	
39	4360232	Breaker, Circuit - 15 Amp	2	
40	3931412	Capscrew, Socket Head 1/4in-20NC x 3/4in (Prior to S/N 0300039749)	3	
	0641406	Bolt 1/4in-20NC x 3/4in (S/N 0300039749 to S/N 0300064249)	3	
41	1703090	Decal - Control Card (Lift)	1	

SECTION 4 PLATFORM

SECTION 4 PLATFORM

FIGURE 4-3. PLATFORM CONSOLE ASSEMBLY (PRIOR TO S/N 0300064249) (CONTINUED)

FIG & ITEM #	PART NUMBER	DESCRIPTION	QTY.	REV.
42	1703091	Decal - Control Card (Swing)	1	
43	1703092	Decal - Control Card (Flow Control)	1	
44	1703093	Decal - Control Card (Drive)	1	
45	4460470	Nut, Conduit	2	
46	4460471	Washer	2	
47	4460428	Connector, Strain Relief	2	
48	4360031	Footswitch	1	
	7000625	Block, Contact	2	
49	3700010	Reflector (Prior to S/N 0300027331)	14	
50	Not Used			
51	1670829	Bezel	1	
52	0630464	Screw, Button Head #10-24NC x 1/2in	2	
53 to 54	Not Used			
55	3740113	Relay, Time Delay	1	
56	3740115	Relay, Time Delay	1	
57	0641406	Bolt 1/4in-20NC x 3/4in	1	
58	4751400	Flatwasher 1/4in Regular	5	
59	0100011	Compound, Locking	A/R	
60	0100035	Compound, Locking	A/R	
61	0721010	Screw, Machine #10-24NC x 1-1/4in	2	
62	0721003	Screw, Machine #10-24NC x 3/8in	4	
63	4751000	Flatwasher #10 Regular	2	
64	Not Used			
65		Relay - DPDT	A/R	
	3740057	CE & EN280 Spec	1	
	Not Required	Australian Spec	0	
66		Spring, Relay	A/R	
	3740066	CE & EN280 Spec	1	
	Not Required	Australian Spec	0	
67	0721004	Bolt #10-32NF x 1/2in	2	
68	4711000	Flatwasher #10 Thin	2	
69	4761000	Lockwasher #10	6	
70	3311001	Nut #10-24NC	4	
71	3311605	Locknut 3/8in-16NC (S/N 0300039777 to S/N 0300064249)	4	
72	1704260	Decal - EMS	1	
73	3539275	Plate, Relay Mounting (S/N 0300055241 to S/N 0300064249)	1	
74	3740049	Relay, Bosch (S/N 0300055241 to S/N 0300064249)	A/R	
75	0721003	Screw #10-24NC x 3/8in (S/N 0300055241 to S/N 0300064249)	A/R	
76	4751000	Flatwasher #10 Regular (S/N 0300055241 to S/N 0300064249)	A/R	
77	3311005	Locknut #10-24NC (S/N 0300055241 to S/N 0300064249)	A/R	
78	2920129	Bulb, Light (S/N 0300055241 to S/N 0300064249)	12	

SECTION 4 PLATFORM

FIGURE 4-3. PLATFORM CONSOLE ASSEMBLY (PRIOR TO S/N 0300064249) (CONTINUED)

FIG & ITEM #	PART NUMBER	DESCRIPTION	QTY.	REV.
	0860984	CONSOLE BOX ASSEMBLY	Ref.	6/E
101	1220022	Lid, Cast	1	
102	1220023	Bottom, Box	1	
103	2600211	Hinge	2	
104	3900224	Capscrew, Socket Head Countersunk 6mm x 16mm	8	
105	3931672	Capscrew, Socket Head 3/8in-16NC x 4-1/2in	1	
106	Not Used			
107		Fastener Options:	1	
	See Note	O-Ring (Prior to May 1996) (Note: Recommend using 3311601 Nut in place of original 3790109 O-Ring)		
	3311601	Nut 3/8in-16NC		
108	0100011	Compound, Locking	A/R	
109 to 110	Not Used			
111	3520173	Plug (S/N 0300038808 to S/N 0300064249)	4	
		CONSOLE BOX OPTIONS	Ref.	
201		4WS Switch Option Components	A/R	
	4360331	Switch, Toggle	1	
	3790012	O-Ring	1	
202	Not Used			
203		Lights Switch Option Components	A/R	
	4360336	Switch, Toggle	1	
	3790012	O-Ring	1	
204		Articulating Jib Switch Option Components	A/R	
	4360314	Switch, Toggle	1	
	3790012	O-Ring	1	
	0236632	LIGHT PANEL DISPLAY INSTALLATION (EN280 & CE SPEC)	Ref.	—
301	1703084	Decal - Light Panel Display	1	
	0256633	LIGHT PANEL DISPLAY INSTALLATION (AUSTRALIAN SPEC)	Ref.	—
301	1703085	Decal - Light Panel Display	1	
		HARNESS COMPONENTS	Ref.	
401	4120035	Base, Light	7	
402	2920129	Bulb, Light	7	

SECTION 4 PLATFORM

SECTION 4 PLATFORM

FIGURE 4-3. PLATFORM CONSOLE ASSEMBLY (PRIOR TO S/N 0300064249) (CONTINUED)

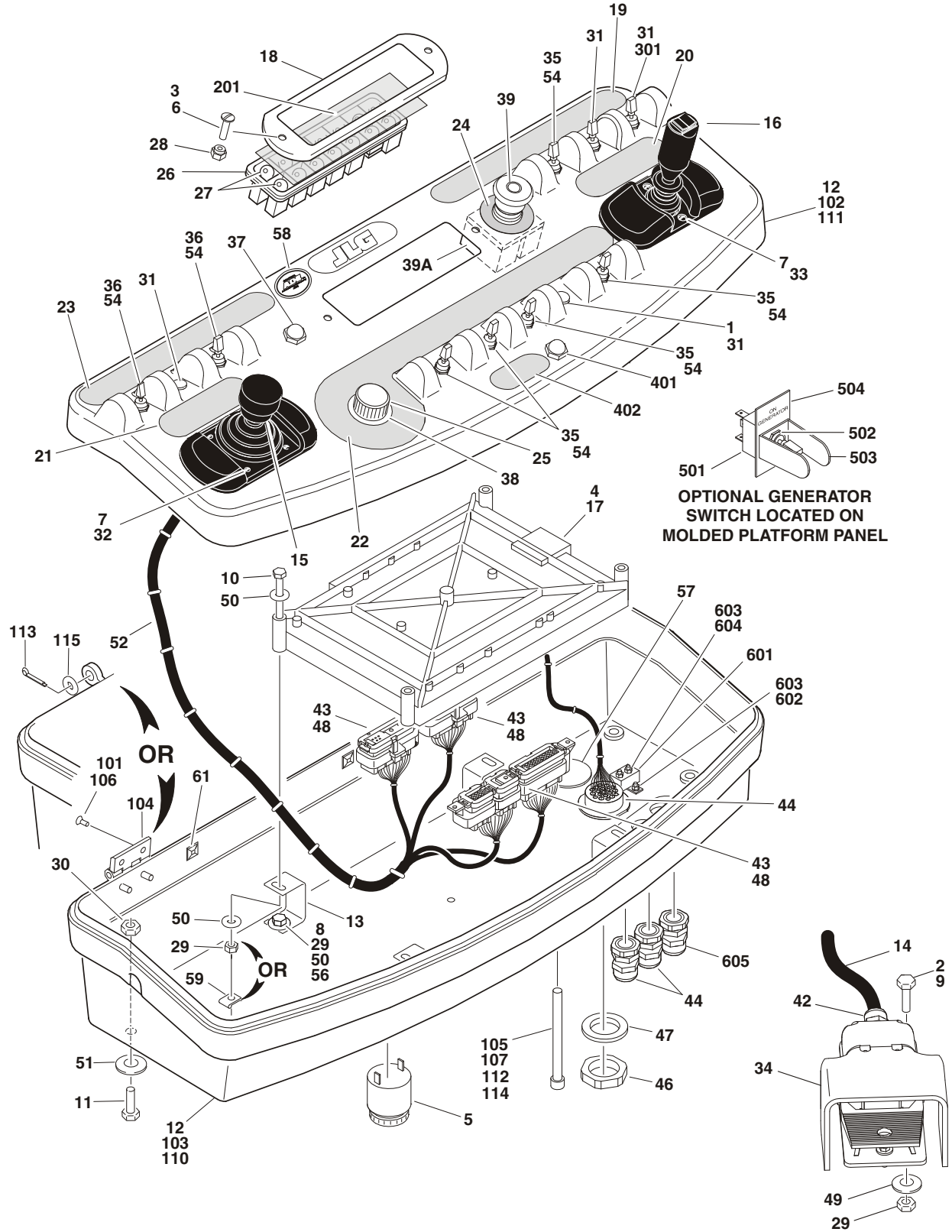
FIG & ITEM #	PART NUMBER	DESCRIPTION	QTY.	REV.
		ELECTRICAL COMPONENTS INSTALLATIONS:	Ref.	
	0860986	2WD CE & EN280 Spec (Prior to S/N 0300035129)	Ref.	7/F
	0861084	2WD Australian Spec (Prior to S/N 0300035129)	Ref.	1/A
	0861048	4WD CE & EN280 Spec (Prior to S/N 0300035129)	Ref.	7/F
	0861083	2WD Australian Spec (Prior to S/N 0300035129)	Ref.	1/A
	4921994	CE & EN280 Spec (S/N 0300035129 to S/N 0300064249)	Ref.	2/E
	4921991	Australian Spec (S/N 0300035129 to S/N 0300064249)	Ref.	1/A
		(Note: Prior to S/N 0300035129 the following components are part of the console assembly. After S/N 35129, parts are available as a harness which is part of the console assembly.)	Ref.	
501	3539275	Plate, Relay Mounting	1	
502	3740049	Relay, Bosch	8	
503	0721003	Screw #10-24NC x 3/8in	8	
504	4751000	Flatwasher #10 Regular	8	
505	3311005	Locknut #10-24NC	8	
506		Track Options:	1	
	3640970	Prior to S/N 0300035129		
	3641182	S/N 0300035129 to S/N 0300069000		
507	4460601	Block, Terminal	A/R	
508	4460607	Stop, End	2	
509	4460602	Barrier, Terminal	1	
510	4460629	Marker, Terminal (6-15)	2	
511	4460603	Bar, Buss - 10 Position (Cut into [2] 5 Position Bars)	1	
512	4460600	Block, Terminal	A/R	
513	4460631	Marker, Terminal (Negative)	1	
514	4460632	Marker, Terminal (1-5)	A/R	
515	4120013	Socket, Relay	3	
516	4460613	Connector - 21 Position	1	
517	4460503	Connector - 31 Position	1	
518	Not Used			
519	4240032	Tie-Strap (Not Shown)	20	
520	4240018	Tie-Strap (Not Shown)	10	
521		Relay, Socket Options:	A/R	
	4120012	CE & EN280 Spec	1	
	Not Required	Australian Spec	0	
	0259233/ 0271474	BPE LOAD SENSING DEVICE INSTALLATION (FRENCH SPEC) (S/N 0300058378 TO S/N 0300064249)	Ref.	4/C 1/A
601 to 614	Not Used			
615	3740057	Relay	1	
616	4120012	Base, Relay	1	
617	3740066	Spring, Relay	1	
618 to 619	Not Used			
620	4460428	Relief, Strain	1	

SECTION 4 PLATFORM

SECTION 4 PLATFORM

**FIGURE 4-4.PLATFORM CONSOLE ASSEMBLY (WITH ADE SYSTEM)
(S/N 0300064249 TO S/N 0300069000)**

**SECTION 4
PLATFORM**



SECTION 4 PLATFORM

FIGURE 4-4. PLATFORM CONSOLE ASSEMBLY (WITH ADE SYSTEM) (S/N 0300064249 TO S/N 0300069000)

FIG & ITEM #	PART NUMBER	DESCRIPTION	QTY.	REV.
		CONSOLE BOX & FOOTSWITCH ASSEMBLIES	Ref.	
	0861415	S/N 0300064249 to S/N 0300064270	Ref.	E
	0861474	S/N 0300064270 to S/N 0300068290	Ref.	B
	0861517	S/N 0300068290 to S/N 0300069000	Ref.	A
1	0100009	Sealant	A/R	
2	0100020	Sealant	A/R	
3	0100035	Compound, Locking	A/R	
4	0100048	Grease, Dielectric	A/R	
5	0140011	Alarm	1	
6	0630464	Screw, Button Head #10-24NC x 1/2in	2	
7	0641404	Bolt 1/4in-20NC x 1/2in	8	
8	0641406	Bolt 1/4in-20NC x 3/4in	4	
9	0641408	Bolt 1/4in-20NC x 1in	3	
10	0641416	Bolt 1/4in-20NC x 2in	4	
11	0641610	Bolt 3/8in-16NC x 1-1/4in	4	
12		Box, Console Options: Note: No exact S/N break exists. S/N 0300067725 to S/N 0300068965 may use either box.	1 Ref.	
	0861414	Box, Console - Aluminum (See Items 101-107 for Breakdown)		
	0861537	Box, Console - Die Cast (See Items 110-115 for Breakdown)		
13	0902751	Bracket, Card Support	4	
14		Cable Options:	A/R	
	1060330	Cable, 16/3 (S/N 0300064249 to S/N 0300064270)	7ft/2.1m	
	1060918	Cable, 18/3 (S/N 0300064270 to S/N 0300069000)	8ft/2.4m	
15	Use 1001129555	Controller Assembly (Lift & Swing) (See Figure 4-7 for Breakdown) (was p/n 1600317 & 1001118417)		
16	Use 1001118416	Controller Assembly (Drive & Steer) (See Figure 4-10 for Breakdown) (was p/n 1600318)	1	
17	1600313	Controller, Module (Re-calibration Required when Replaced)	1	
18	1670829	Bezel	1	
19	1702564	Decal (Stop)	1	
20	1702565	Decal (Drive and Steer)	1	
21	1702566	Decal (Lift and Swing)	1	
22	1702567	Decal (Function Speed)	1	
23	1702676	Decal (Horn)	1	
24	1704260	Decal - EMS	1	
25	2560136	Handle, Knob	1	
26	2760105	Housing, Display Light	1	
27	2920129	Bulb, Light	12	
28	3300408	Locknut, Nylon Insert	2	
29	3311405	Locknut 1/4in-20NC	11	
30	3311605	Locknut 3/8in-16NC	4	
31	3520028	Plug, Hole 1/2in	4	

SECTION 4 PLATFORM

FIGURE 4-4. PLATFORM CONSOLE ASSEMBLY (WITH ADE SYSTEM) (S/N 0300064249 TO S/N 0300069000) (CONTINUED)

FIG & ITEM #	PART NUMBER	DESCRIPTION	QTY.	REV.
32	4340678	Support, Hand	1	
33	4340684	Support, Hand	1	
34	4360031	Footswitch	1	
	7000625	Block, Contact	2	
35	4360328	Switch, Toggle	6	
36	4360331	Switch, Toggle	1	
37	4360387	Switch, Pushbutton	1	
38	4360407	Controller, Speed	1	
	See Note	Gasket "Top Hat" (Included with Switch) (Note: Not Available - Purchase Complete Controller.)	1	
	70003784	Seal	1	
39	4360475	Switch, Emergency Stop	1	
	7020175	Cap, Red	1	
39A	7020176	Contact Block	1	
40	4360476	Block, Contact	1	
41	4460042	Terminal, Ring (Not Shown)	3	
42	4460071	Connector, Strain Relief	1	
43	4460226	Socket, Contact	2	
44	4460428	Connector, Strain Relief	2	
45	4460464	Terminal, Deutsch	1	
46	4460470	Nut, Terminal	1	
47	4460471	Lockwasher, Terminal	1	
48	4460905	Connector, Amp Seal Plug	5	
49	4740362	Washer 1/4in (Fender)	3	
50	4751400	Flatwasher 1/4in Regular	16	
51	4751600	Flatwasher 3/8in Regular	4	
52		Harness, Platform Box Options:	1	
	4922509	S/N 0300064249 to S/N 0300064270		
	4922639	S/N 0300064270 to S/N 0300069000		
53		Harness, Analyzer Cable Options: (Not Shown)	1	
	4922485	S/N 0300064249 to S/N 0300064270		
	4922666	S/N 0300064270 to S/N 0300069000		
	4460871	Terminal, Socket	4	
	4460761	Housing - 4 Position	1	
	4460227	Pin	4	
54	3790012	O-Ring	7	
55	4460708	Connector, Female - 15 Position (Not Shown - See Section 7 for Location)	2	
56	0100081	Adhesive (S/N 0300064398 to S/N 0300069000)	A/R	
57	1671037	Cover (S/N 0300068918 to S/N 0300069000)	1	
58	1705132	Decal - ADE (S/N 0300068918 to S/N 0300069000)	1	
59	3300353	Nut, Tinnerman (S/N 0300068918 to S/N 0300069000)	4	
60	4460226	Wire, Tie (Not Shown) (S/N 0300068918 to S/N 0300069000)	3	
61	4460488	Base, Mounting (S/N 0300068918 to S/N 0300069000)	1	

SECTION 4 PLATFORM

SECTION 4 PLATFORM

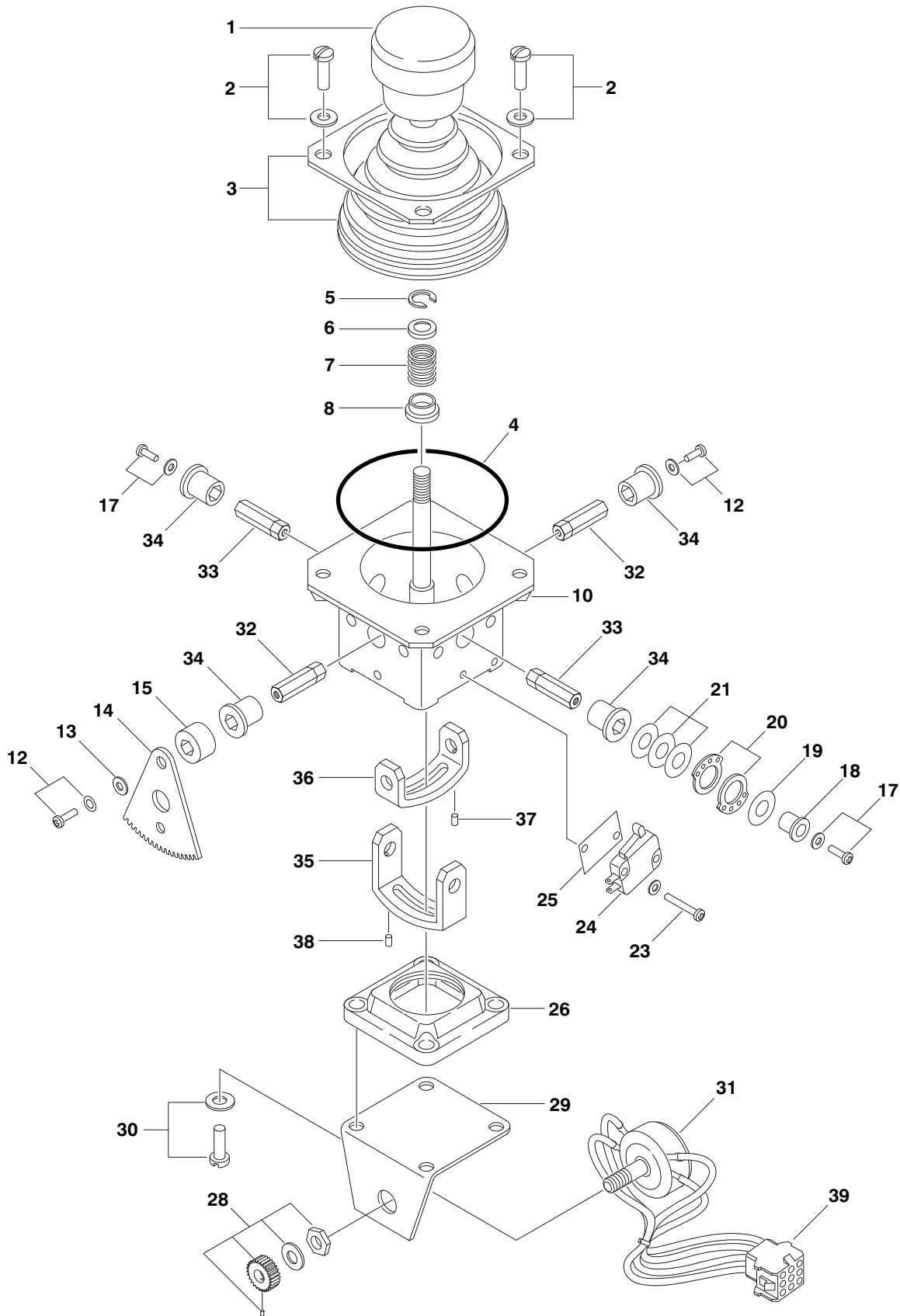
FIGURE 4-4. PLATFORM CONSOLE ASSEMBLY (WITH ADE SYSTEM) (S/N 0300064249 TO S/N 0300069000) (CONTINUED)

FIG & ITEM #	PART NUMBER	DESCRIPTION	QTY.	REV.
	0861414	CONSOLE BOX ASSEMBLY - ALUMINUM	Ref.	C
101	0100011	Compound, Locking	A/R	
102	Use 0861414	Console Top (Note: Not Available for Purchase)	1	
103	Use 0861414	Console Bottom (Note: Not Available for Purchase)	1	
104	2600211	Hinge	2	
105	3311601	Nut 3/8in-16NC	1	
106	3900224	Screw Countersunk	8	
107	3931672	Screw 3/8in-16NC x 4-1/2in	1	
108	3520174	Plug, 3/16 (Not Shown)	3	
	0861537	CONSOLE BOX ASSEMBLY - DIE CAST	Ref.	A
110	1220096	Console Bottom	1	
111	1220102	Console Top	1	
112	3311601	Nut 3/8in-16NC	1	
113	3450304	Pin, Cotter	2	
114	3931672	Screw 3/8in-16NC x 4-1/2in	1	
115	4711500	Flatwasher 5/16in Thin	2	
		LIGHT PANEL DECAL INSTALLATION	Ref.	
	0256632	Euro Spec	Ref.	—
	0256633	Australian Spec	Ref.	—
201		Decal - Display Options:	1	
	1703084	Euro Spec		
	1703085	Australian Spec		
	0271552	HEAD & TAIL LIGHTS INSTALLATION (OPTIONAL)	Ref.	1
301	4360336	Switch, Toggle	1	
	3790012	O-Ring	1	
		SOFT TOUCH SYSTEM INSTALLATION (OPTIONAL)	Ref.	
	0271550	6FT PLATFORM	Ref.	1
	0271551	8FT PLATFORM	Ref.	1
401	4360387	Switch, Pushbutton	1	
402	1702938	Decal - Soft Touch Override	1	
		GENERATOR INSTALLATION (OPTIONAL)	Ref.	
	0271544	100V DEUTZ	Ref.	1
	0271547	220V DEUTZ	Ref.	1
501	4360336	Switch, Toggle	1	
502	4740397	Bushing	1	
503	4060802	Guard, Switch	1	
504	3251102	Decal - Generator ON/OFF	1	
	0270814	PLATFORM WORKLIGHT INSTALLATION (OPTIONAL)	Ref.	3
601	4360232	Breaker, Circuit - 15Amp	1	
602	0721003	Bolt #10-24NC x 3/8in	2	
603	4761000	Lockwasher #10	4	
604	3311001	Nut #10-24NC	2	
605	4460598	Connector, Strain Relief	1	

SECTION 4 PLATFORM

SECTION 4 PLATFORM

FIGURE 4-5.OEM CONTROLLER ASSEMBLY (SWING AND LIFT) (PRIOR TO S/N 0300039749)



SECTION 4 PLATFORM

SECTION 4 PLATFORM

FIGURE 4-5. OEM CONTROLLER ASSEMBLY (SWING AND LIFT) (PRIOR TO S/N 0300039749)

FIG & ITEM #	PART NUMBER	DESCRIPTION	QTY.	REV.
	1600242	OEM CONTROLLER ASSEMBLY (LIFT/SWING) (PRIOR TO S/N 0300039749)	Ref.	A
1	7003951	Knob, Handle	1	
2	7022811	Screw M14 x 25mm	4	
	See Note	Washer (Note: Not Available for Purchase)	4	
3	Use 7022813	Plate (was p/n 7003954)	1	
	Use 7022813	Boot (was p/n 7003955)	1	
4	7003956	O-Ring	1	
5	7003957	Ring, Retaining	1	
6	7003959	Retainer, Spring	1	
7	7003958	Spring, Return	1	
8	7003960	Bushing, Nylon Shaft	1	
9	Not Used			
10	See Note	Casting, Handle (Note: Not Available for Purchase)	1	
11	Not Used			
12	See Note	Screw M3 x.05 & Starwasher M3 (Note: Not Available - Purchase Locally)	2/2	
13	See Note	Spacer (Note: Not Available for Purchase)	2	
14	7003977	Gear, Drive	2	
15	See Note	Bearing (Note: Not Available for Purchase)	2	
16	Not Used			
17	See Note	Screw M3 (Note: Not Available - Purchase Locally)	2	
	See Note	Washer, Wavy (Note: Not Available for Purchase)	2	
18	7019193	Coupling, Cam	2	
19	See Note	Spacer, Cam (Note: Not Available for Purchase)	2	
20	See Note	Cam, 4 Hole	4	
21	See Note	Cam (Note: Not Available for Purchase)	6	
22	Not Used			
23	See Note	Screw/Washer (Note: Not Available - Purchase Locally)	4/4	
24	7003961	Micro-Switch	2	
25	See Note	Insulator (Note: Not Available for Purchase)	2	
26	See Note	Gate (Note: Not Available for Purchase)	1	
27	Not Used			
28	7003976	Gear	2	
	See Note	Setscrew (Note: Not Available - Purchase Locally)	2	
	See Note	Spacer (Note: Not Available for Purchase)	2	
	See Note	Nut (Note: Not Available for Purchase)	2	
29	See Note	Plate, Pot Mounting (Note: Not Available for Purchase)	1	
30	See Note	Screw M4 x 14/Washer M4 (Note: Not Available for Purchase)	4/4	
31	7003974	Potentiometer	2	
32	7019192	Pin	1	
33	7019104	Pin	2	
34	7019111	Bushing	2	
35	7019122	Limit, Gate - Outer	1	

SECTION 4 PLATFORM

**FIGURE 4-5. OEM CONTROLLER ASSEMBLY (SWING AND LIFT) (PRIOR TO S/N 0300039749)
(CONTINUED)**

FIG & ITEM #	PART NUMBER	DESCRIPTION	QTY.	REV.
36	7019123	Limiters, Gate - Inner	1	
37	See Note	Setscrew (Note: Not Available for Purchase)	1	
38	See Note	Setscrew (Note: Not Available for Purchase)	1	
39	4460266	Cap, Connector - 9 Pin (Not Shown)	1	
	4460268	Socket, Female (Not Shown)	8	
	4460265	Plug - 9 Pin (Part of Platform Wiring) (Not Shown)	1	
	4460267	Pin, Male (Part of Platform Wiring) (Not Shown)	8	

SECTION 4 PLATFORM

SECTION 4 PLATFORM

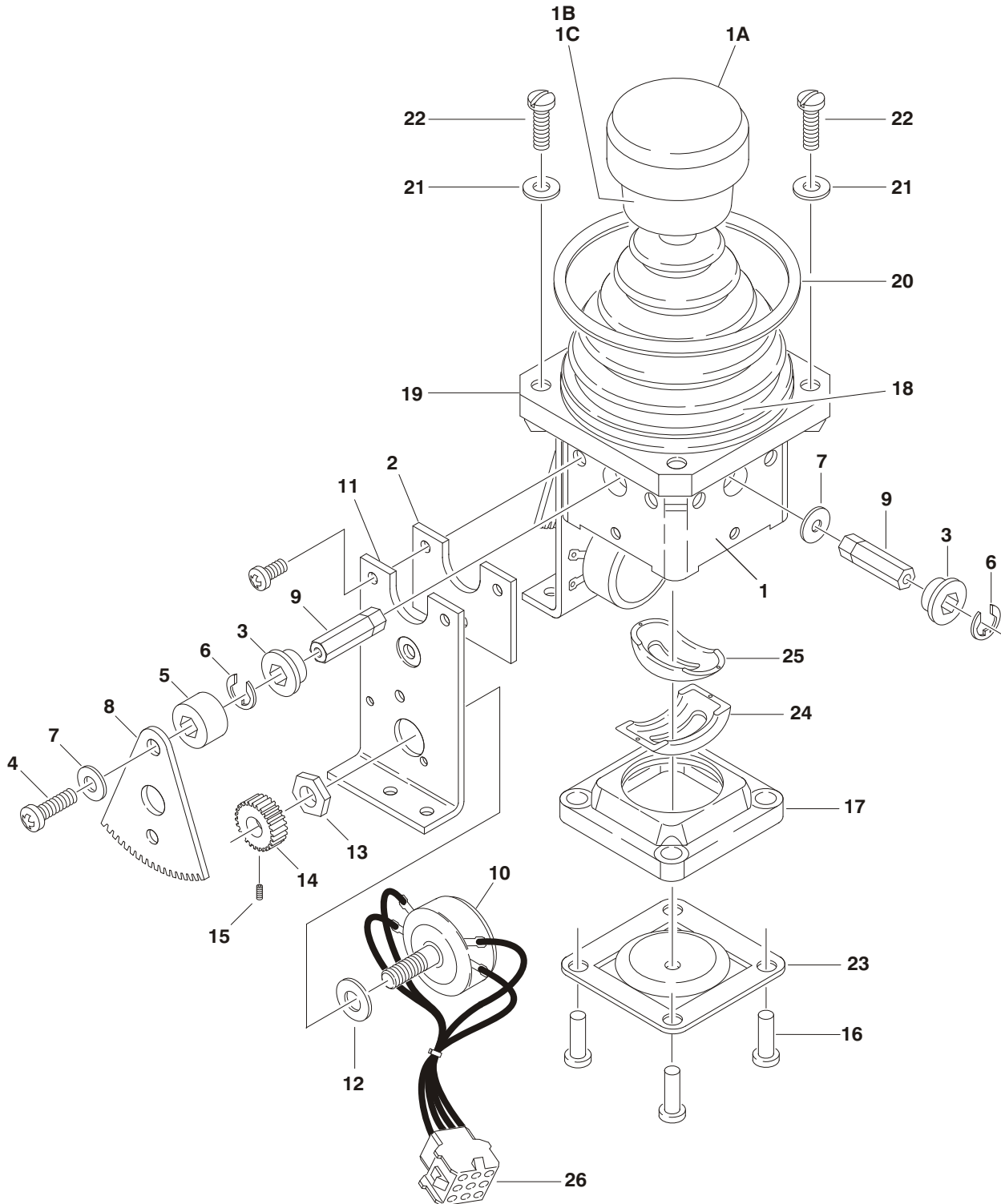
FIGURE 4-5. OEM CONTROLLER ASSEMBLY (SWING AND LIFT) (PRIOR TO S/N 0300039749)
(CONTINUED)

FIG & ITEM #	PART NUMBER	DESCRIPTION	QTY.	REV.

**S
E
C
T
I
O
N
4
P
L
A
T
F
O
R
M**

SECTION 4 PLATFORM

FIGURE 4-6.OEM CONTROLLER ASSEMBLY (SWING AND LIFT) (S/N 0300039749 TO S/N 0300064249)



SECTION 4 PLATFORM

SECTION 4 PLATFORM

FIGURE 4-6. OEM CONTROLLER ASSEMBLY (SWING AND LIFT) (S/N 0300039749 TO S/N 0300064249)

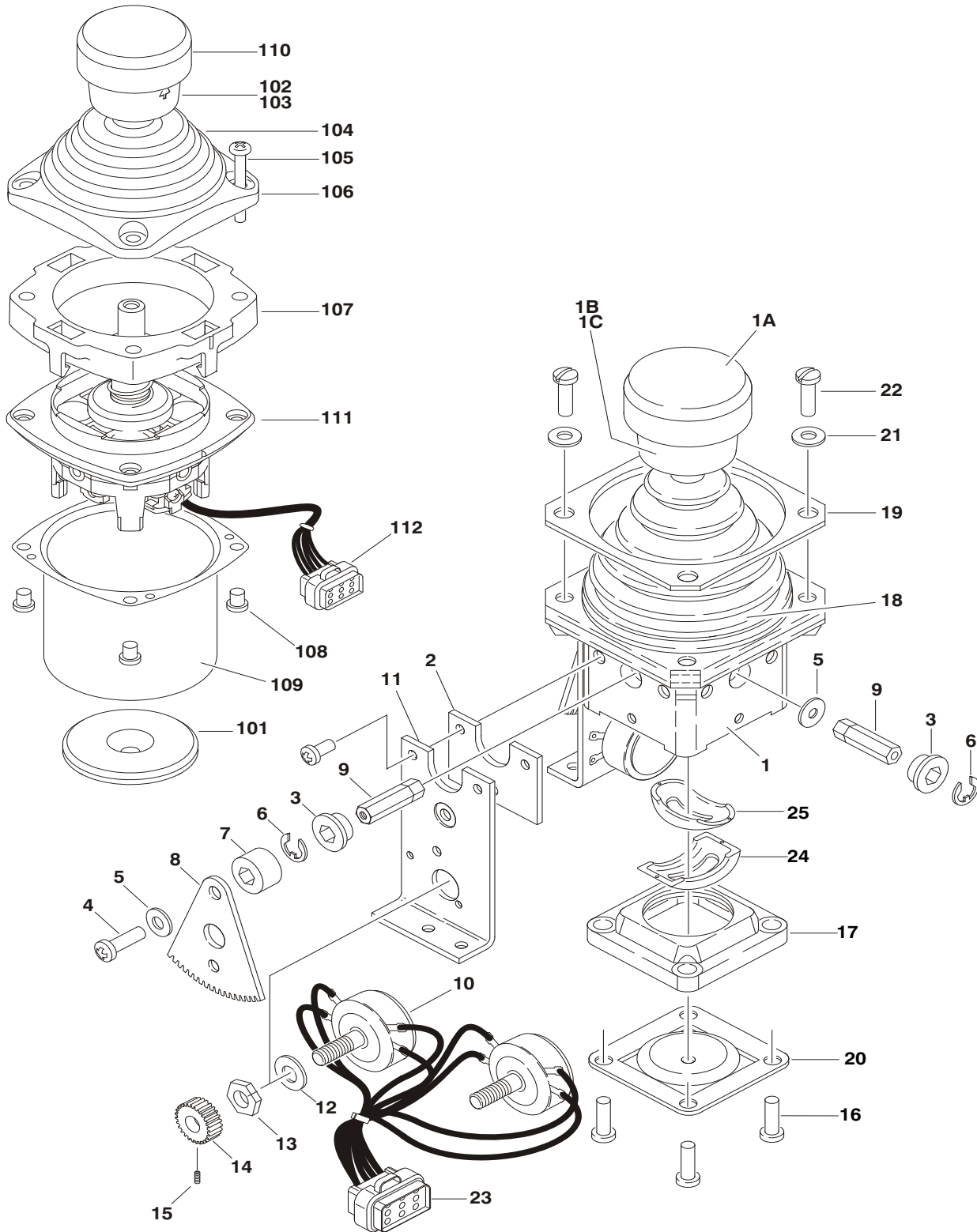
FIG & ITEM #	PART NUMBER	DESCRIPTION	QTY.	REV.
	1600284	OEM CONTROLLER ASSEMBLY (LIFT/SWING)	Ref.	A
1	7019141	Mechanical Assembly (Includes Base, Handle Stem & Items 1A, 1B, 1C & 18 Boot)	1	
1A	7019197	Handle Cap & Rod	1	
1B	7003928	Spring	1	
1C	7022808	Cap, Lift	1	
2	7019142	Plate	2	
3	7019111	Bearing, Gear	4	
4	7019143	Screw	2	
5	7019144	Spacer, Cam	2	
6	7019145	E-Clip	4	
7	7019174	Spacer	2	
8	7003977	Gear, Drive	2	
9	7019147	Shaft	4	
10	7003974	Potentiometer	2	
11	7019142	Plate	2	
12	7003992	Washer	2	
13	7003993	Nut	2	
14	7003976	Gear, Slave	2	
15	7019149	Setscrew	2	
16	7003952	Screw	4	
17	7019150	Gate	1	
18	Use 7022813	Boot (was 7003955)	1	
19	Use 7022813	Plate, Plastic (was p/n 7003954)	1	
20	7003956	Gasket	1	
21	7003953	Washer	4	
22	7022811	Screw	4	
23	See Note	Center, Detent (Note: Not Available for Purchase)	1	
24	7019122	Gimble, Outer	1	
25	7019123	Gimble, Inner	1	
26	4460266	Connector - 9 Pin	1	
	4460268	Socket, Female	8	
	4460265	Plug - 9 Pin (Part of Platform Wiring) (Not Shown)	1	
	4460267	Pin, Male (Part of Platform Wiring) (Not Shown)	8	

SECTION 4 PLATFORM

SECTION 4 PLATFORM

FIGURE 4-7.OEM CONTROLLER ASSEMBLY (SWING AND LIFT) (WITH ADE SYSTEM) (S/N 0300064249 TO S/N 0300069000)

SECTION 4 PLATFORM



SECTION 4 PLATFORM

FIGURE 4-7. OEM CONTROLLER ASSEMBLY (SWING AND LIFT) (WITH ADE SYSTEM) (S/N 0300064249 TO S/N 0300069000)

FIG & ITEM #	PART NUMBER	DESCRIPTION	QTY.	REV.
		CONTROLLER ASSEMBLY	Ref.	
	1600317	Controller Assembly (OEM)	Ref.	B
		Note: Use p/n 1001129555 Kit as replacement of Complete Assembly.	Ref.	
1	7019141	Mechanical Assembly (Includes Base, Handle Stem & Items 1A, 1B, 1C & 18)	1	
1A	7019197	Handle Cap & Rod	1	
1B	7003928	Spring	1	
1C	7022808	Cap, Lift	1	
2	7019171	Plate	2	
3	7019111	Bearing, Gear	4	
4	7019143	Screw	2	
5	7019144	Spacer, Cam	2	
6	7019145	E-Clip	4	
7	7019174	Spacer	2	
8	7003977	Gear, Drive	2	
9		Shaft Options:	2	
	7019147	Shaft, Short		
	7019177	Shaft, Long		
10	7022818	Potentiometer	2	
11	7019142	Plate	2	
12	7003992	Washer	2	
13	7003993	Nut	2	
14	7003976	Gear, Slave	2	
15	7019149	Setscrew	2	
16	7022816	Screw	4	
17	7019150	Gate	1	
18	7022814	Boot	1	
19	7022815	Bezel	1	
20	See Note	Center, Detent (Note: Not Available for Purchase)	1	
21	7003953	Washer	4	
22	7022817	Screw	4	
23	7022819	Plug, Male 8 Position (Natural)	1	
	4460871	Socket, Female	8	
24	7019122	Gimble, Outer	1	
25	7019123	Gimble, Inner	1	
	See Note	Controller Assembly (Service Replacement)	Ref.	
		Note: Was p/n 1001118417 Assembly - Use p/n 1001129555 Kit as replacement.	Ref.	
101	70002730	Gasket	1	
102	7003928	Spring	1	
103	7022808	Cap, Lift	1	
104	70002731	Boot	1	
105	70002732	Screw	4	
106	7022815	Bezel	1	
107	70002733	Adapter	1	
108	70002734	Screw	4	

SECTION 4 PLATFORM

SECTION 4 PLATFORM

FIGURE 4-7. OEM CONTROLLER ASSEMBLY (SWING AND LIFT) (WITH ADE SYSTEM) (S/N 0300064249 TO S/N 0300069000) (CONTINUED)

FIG & ITEM #	PART NUMBER	DESCRIPTION	QTY.	REV.
109	70002735	Can, Enclosure	1	
110	See Note	Cap (Note: Not Available for Purchase)	1	
111	Use 1001129555	Mechanical Assembly (Note: Not Available - Purchase Complete Assembly)	1	
112	7022819	Plug, Male 8 Position (Natural) (Not Shown)	1	
	4460871	Socket, Female	6	

SECTION 4 PLATFORM

SECTION 4 PLATFORM

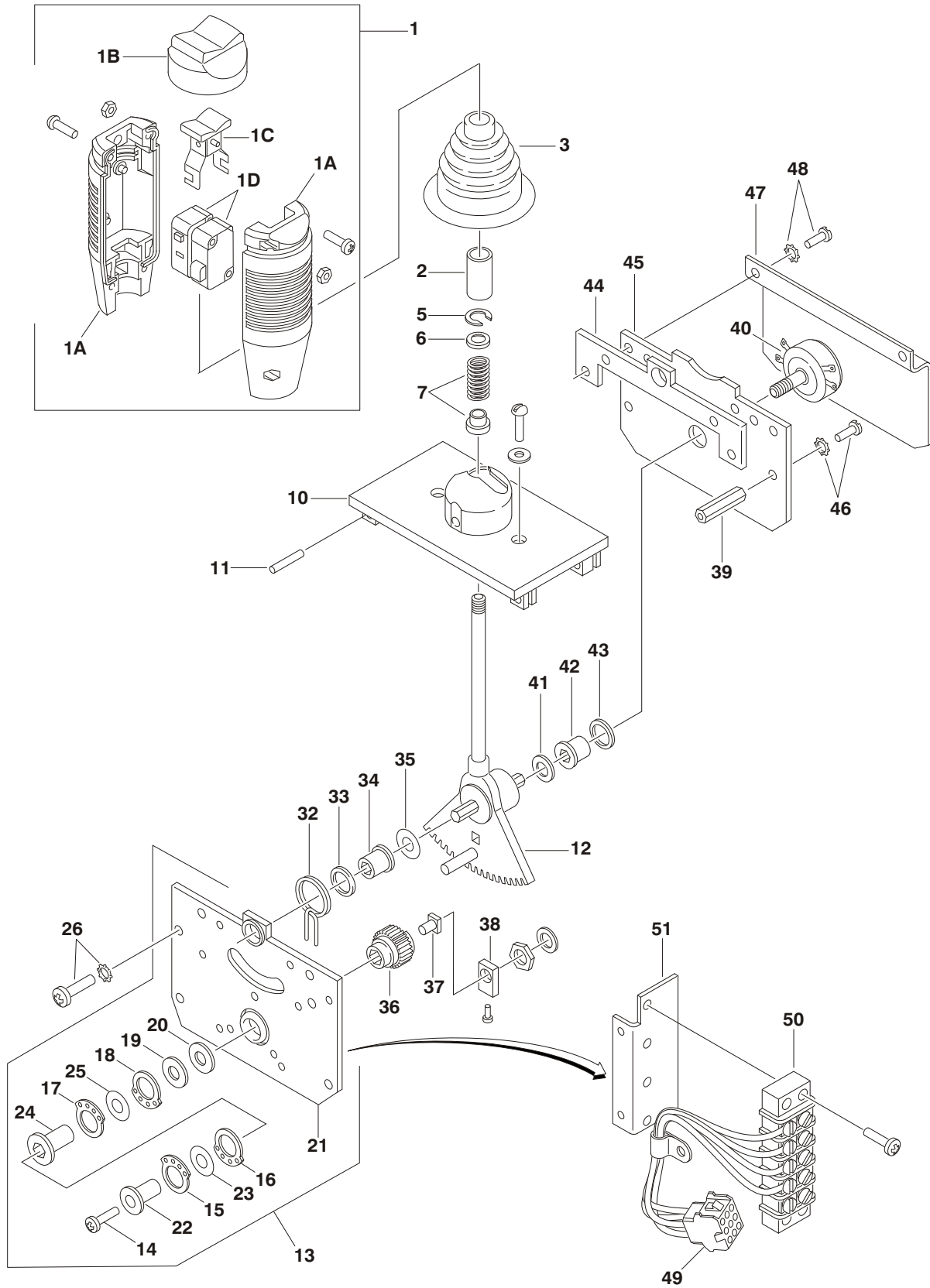
FIGURE 4-7. OEM CONTROLLER ASSEMBLY (SWING AND LIFT) (WITH ADE SYSTEM) (S/N 0300064249 TO S/N 0300069000) (CONTINUED)

FIG & ITEM #	PART NUMBER	DESCRIPTION	QTY.	REV.

**S
E
C
T
I
O
N
4
P
L
A
T
F
O
R
M**

SECTION 4 PLATFORM

FIGURE 4-8.OEM CONTROLLER ASSEMBLY (DRIVE/STEER) (PRIOR TO S/N 0300039749)



SECTION 4 PLATFORM

SECTION 4 PLATFORM

FIGURE 4-8. OEM CONTROLLER ASSEMBLY (DRIVE/STEER) (PRIOR TO S/N 0300039749)

FIG & ITEM #	PART NUMBER	DESCRIPTION	QTY.	REV.
	1600239	OEM CONTROLLER ASSEMBLY (DRIVE/STEER)	Ref.	C
1	7003978	Handle Assembly	1	
1A	7003973	Half, Handle	2	
1B	7003972	Boot, Switch	1	
1C	7003981	Rocker	1	
1D	7003982	Switch, Micro	2	
2	7003984	Coupling	1	
3	7003966	Boot	1	
4	Not Used			
5	7003957	Ring, Retainer	1	
6	7003967	Flatwasher	1	
7	7003968	Detent, Assembly	1	
8 to 9	Not Used			
10	7019160	Plate, Base	1	
11	See Note	Pin (Note: Not Available for Purchase)	1	
12	7003963	Shaft/Gear Assembly	1	
13	See Note	Micro Cam Assembly (Includes Items 14-25) (Note: Not Available for Purchase)	1	
14	See Note	Screw (Note: Not Available for Purchase)	1	
15	See Note	Cam, 4 Hole (Note: Not Available for Purchase)	1	
16	See Note	Cam, 4 Hole (Note: Not Available for Purchase)	1	
17	See Note	Cam, 4 Hole (Note: Not Available for Purchase)	1	
18	See Note	Cam, 4 Hole (Note: Not Available for Purchase)	1	
19	See Note	Spacer, Cam (Note: Not Available for Purchase)	1	
20	See Note	Spacer, Cam (Note: Not Available for Purchase)	1	
21	See Note	Plate, Cam - Left Side (Note: Not Available for Purchase)	1	
22	See Note	Coupling, Cam (Note: Not Available for Purchase)	1	
23	See Note	Spacer, Cam (Note: Not Available for Purchase)	1	
24	See Note	Coupling, Cam (Note: Not Available for Purchase)	1	
25	See Note	Spacer, Cam (Note: Not Available for Purchase)	1	
26	See Note	Screw (Note: Not Available for Purchase)	4	
26	See Note	Washer (Note: Not Available for Purchase)	4	
27 to 31	Not Used			
32	7003946	Spring, Return	1	
33	See Note	Spacer (Note: Not Available for Purchase)	1	
34	See Note	Bearing (Note: Not Available for Purchase)	1	
35	See Note	Washer, Cam Retainer (Note: Not Available for Purchase)	1	
36	See Note	Gear, Slave (Note: Not Available for Purchase)	1	
37	See Note	Nut/Cam Assembly (Note: Not Available for Purchase)	1	
38	See Note	Coupling, Potentiometer (Note: Not Available for Purchase)	1	
39	See Note	Stand-Off (Note: Not Available for Purchase)	2	
40	7003974	Potentiometer	1	

SECTION 4 PLATFORM

**FIGURE 4-8. OEM CONTROLLER ASSEMBLY (DRIVE/STEER) (PRIOR TO S/N 0300039749)
(CONTINUED)**

FIG & ITEM #	PART NUMBER	DESCRIPTION	QTY.	REV.
41	See Note	Washer, Cam Retainer (Note: Not Available for Purchase)	1	
42	See Note	Bearing (Note: Not Available for Purchase)	1	
43	See Note	Spacer (Note: Not Available for Purchase)	1	
44	See Note	Plate, Mounting (Note: Not Available for Purchase)	1	
45	See Note	Plate, Potentiometer (Note: Not Available for Purchase)	1	
46	See Note	Screw (Note: Not Available for Purchase)	2	
	See Note	Washer (Note: Not Available for Purchase)	2	
47	See Note	Heatsink (Note: Not Available for Purchase)	1	
48	See Note	Screw (Note: Not Available for Purchase)	2	
	See Note	Washer (Note: Not Available for Purchase)	2	
49	4460266	Connector, Amp (9Pin) (Not Shown)	1	
	4460268	Socket (Not Shown)	7	
	4460265	Plug, Amp (9Pin) (Not Shown - Part of Harness)	1	
	4460267	Pin (Not Shown - Part of Harness)	7	
50	7003886	Strip, Terminal - 3 Position	1	
	See Note	Strip, Terminal - 5 Position (Note: Not Available for Purchase)	1	
51	7003985	Brace	1	

SECTION 4 PLATFORM

SECTION 4 PLATFORM

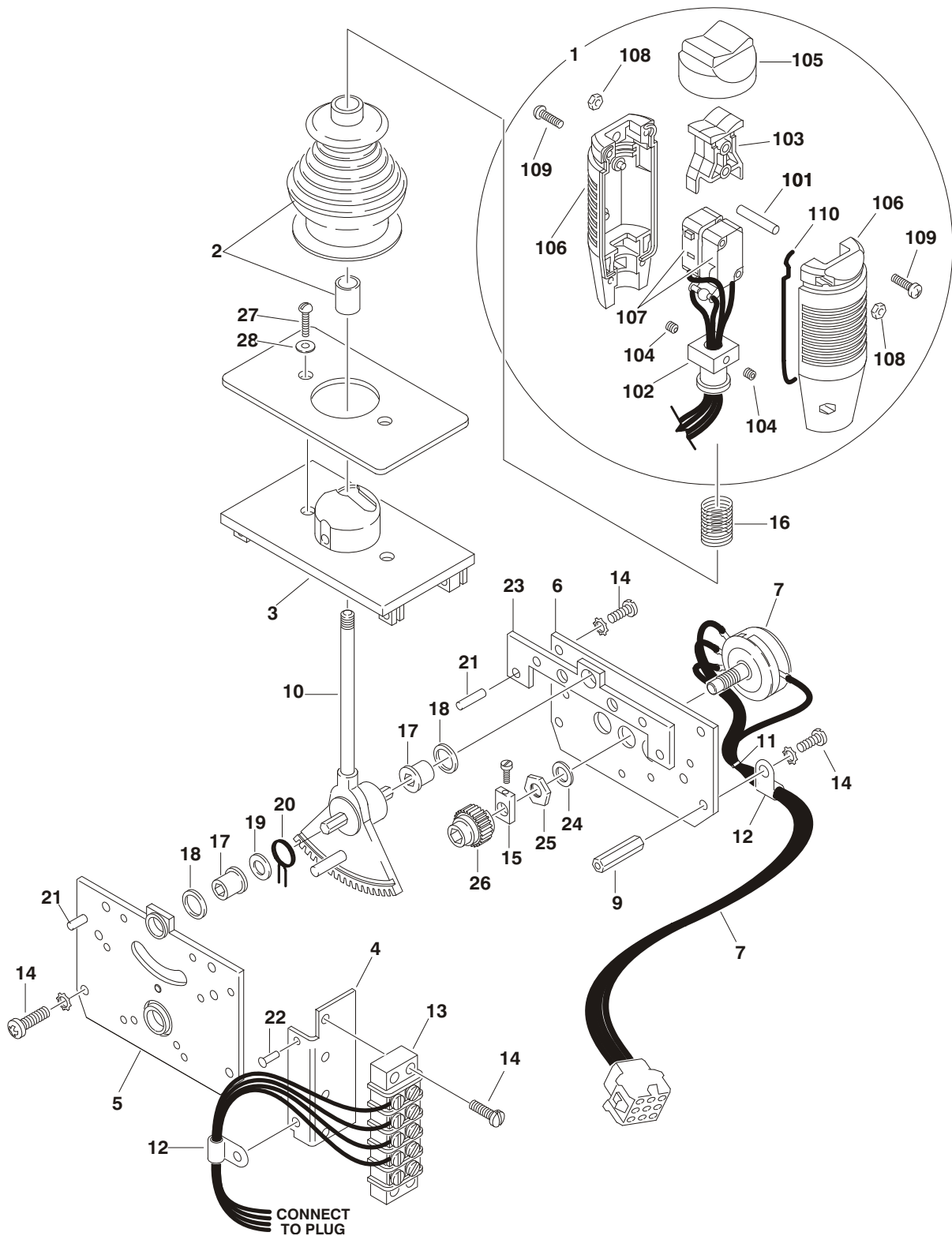
FIGURE 4-8. OEM CONTROLLER ASSEMBLY (DRIVE/STEER) (PRIOR TO S/N 0300039749)
(CONTINUED)

FIG & ITEM #	PART NUMBER	DESCRIPTION	QTY.	REV.

**S
E
C
T
I
O
N
4
P
L
A
T
F
O
R
M**

SECTION 4 PLATFORM

FIGURE 4-9.OEM CONTROLLER ASSEMBLY (DRIVE/STEER) (S/N 0300039749 TO S/N 0300064249)



SECTION 4 PLATFORM

SECTION 4 PLATFORM

FIGURE 4-9. OEM CONTROLLER ASSEMBLY (DRIVE/STEER) (S/N 0300039749 TO S/N 0300064249)

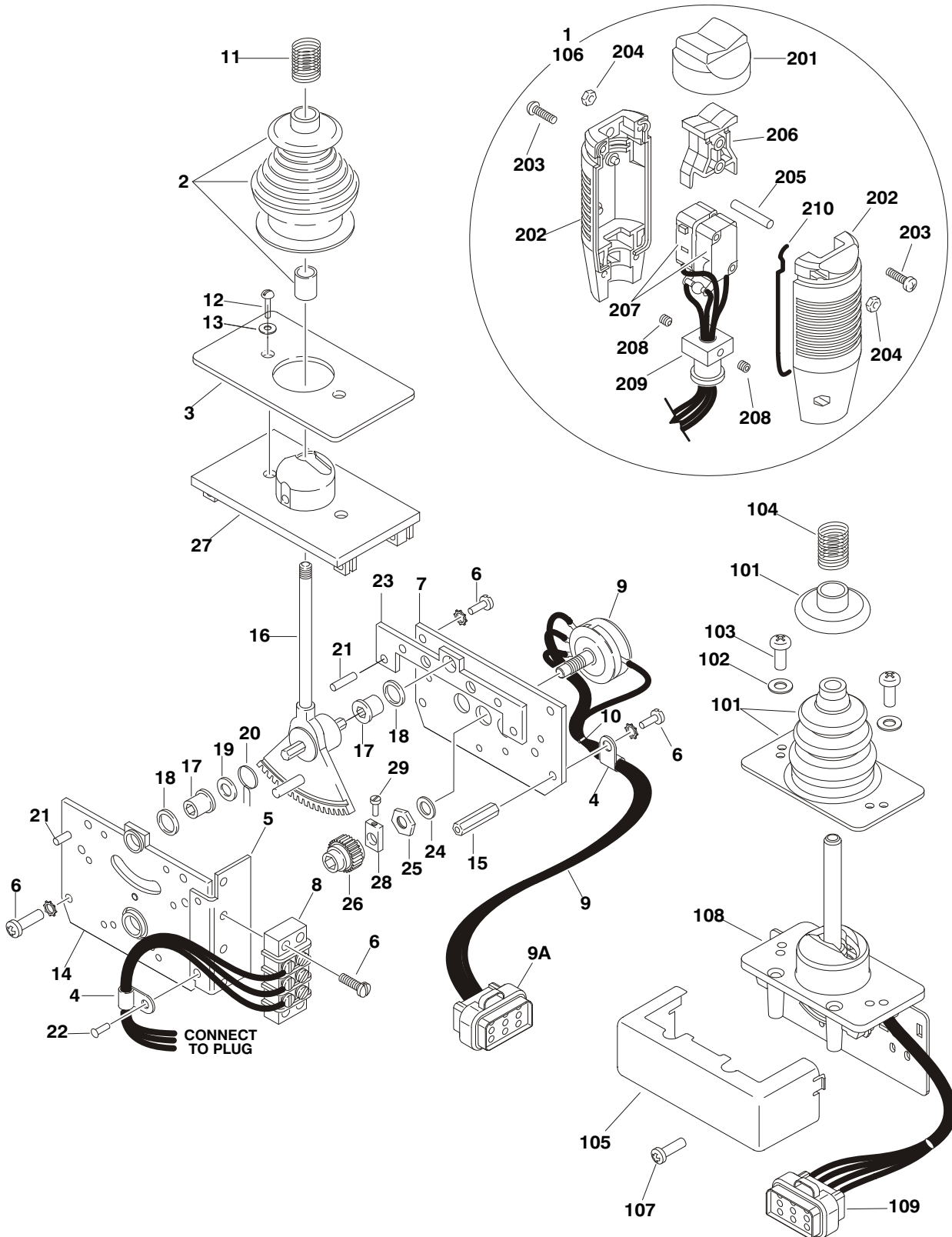
FIG & ITEM #	PART NUMBER	DESCRIPTION	QTY.	REV.
	1600283	OEM CONTROLLER ASSEMBLY (DRIVE/STEER)	Ref.	B
1	7022810	Handle Assembly (See items 101-110 for Breakdown)	1	
2	7019161	Boot and Sleeve	1	
3	7019160	Cast Housing Assembly	1	
4	7019159	Bracket, Mounting	1	
5	7019158	Plate, Mounting (Left Side)	1	
6	7019157	Plate, Pot Mounting	1	
7	7019156	Electric Assembly	1	
8	7003972	Boot, Rocker	1	
9	7019115	Stand-Off	2	
10	7019155	Shaft 8mm	1	
11	7019151	Tie-Strap	A/R	
12	7019154	Clamp, Wire	2	
13	7019153	Strip, Terminal - 5 Position	1	
14	7019117	Screw	8	
15	7019163	Potentiometer Coupling Assembly	1	
16	7019162	Spring	1	
17	7019111	Bearing	2	
18	7019110	Spacer, Head Gear	2	
19	7019112	Washer	1	
20	7003946	Spring, Return	1	
21	7019103	Pin	4	
22	See Note	Rivet (Note: Not Available - Purchase Locally)	1	
23	7019168	Plate, Mounting (Right Side)	1	
24	7003992	Washer	1	
25	7003993	Nut	1	
26	7003935	Gear, Slave	1	
27	7003969	Screw	2	
28	7003941	Washer	2	
	7022810	HANDLE ASSEMBLY	Ref.	
101	7019164	Axle	1	
102	7019194	Coupling	1	
103	7019165	Rocker	1	
104	7003983	Setscrew	2	
105	7003972	Boot, Switch	1	
106	7003973	Half, Handle	2	
107	7019166	Switch, Micro	2	
108	7019167	Nut	4	
109	7003980	Screw	4	
110	7003989	Gasket	2	

SECTION 4 PLATFORM

SECTION 4 PLATFORM

FIGURE 4-10.OEM CONTROLLER ASSEMBLY (DRIVE/STEER) (WITH ADE SYSTEM) (S/N 0300064249 TO S/N 0300069000)

SECTION 4 PLATFORM



SECTION 4 PLATFORM

FIGURE 4-10. OEM CONTROLLER ASSEMBLY (DRIVE/STEER) (WITH ADE SYSTEM) (S/N 0300064249 TO S/N 0300069000)

FIG & ITEM #	PART NUMBER	DESCRIPTION	QTY.	REV.
		CONTROLLER ASSEMBLY	Ref.	
	1600318	Controller Assembly (OEM)	Ref.	B
1	7022812	Handle Assembly (See Items 201-210 for Breakdown)	1	
2	7019161	Boot and Sleeve	1	
3	7003933	Gasket	1	
4	7019154	Clamp, Wire	2	
5	7022823	Bracket, Mounting	1	
6	7003994	Screw	1	
7	7022822	Plate, Pot Mounting	1	
8	7003986	Strip, Terminal - 3 Position	1	
9	7022824	Electric Assembly	1	
9A	Use 1001113961	Plug, Male - 8 Position (Black) (was p/n 7022825)	1	
	4460871	Socket, Female	7	
10	7019151	Tie-Strap	A/R	
11	7019162	Spring	1	
12	7003969	Screw	2	
13	7003941	Washer	2	
14	See Note	Plate, Mounting (Left Side) (Note: Not Available for Purchase)	1	
15	7019115	Stand-Off	2	
16	7019155	Shaft 8mm	1	
17	7019111	Bearing	2	
18	7019110	Spacer, Head Gear	2	
19	7019112	Washer	1	
20	7003946	Spring, Return	1	
21	7019103	Pin	4	
22	See Note	Rivet (Note: Not Available - Purchase Locally)	1	
23	7019168	Plate, Mounting (Right Side)	1	
24	7003992	Washer	1	
25	7003993	Nut	1	
26	7003935	Gear, Slave	1	
27	7019160	Plate, Base	1	
28	7019114	Coupling, Potentiometer	1	
29	See Note	Cupscrew (Note: Not Available for Purchase)	1	
	1001118416	Controller Assembly (Service Replacement)	Ref.	
101	70002724	Boot & Control Lock Assembly	1	
102	7003941	Washer	2	
103	70002725	Screw	2	
104	7019162	Spring	1	
105	70002726	Enclosure	1	
106	70002727	Handle Assembly (See Items 201-210 for Breakdown)	1	
107	70002728	Screw	1	
108	Use 1001118416	Mechanical Assembly (Note: Not Available for Purchase)	1	

SECTION 4 PLATFORM

SECTION 4 PLATFORM

FIGURE 4-10. OEM CONTROLLER ASSEMBLY (DRIVE/STEER) (WITH ADE SYSTEM) (S/N 0300064249 TO S/N 0300069000) (CONTINUED)

FIG & ITEM #	PART NUMBER	DESCRIPTION	QTY.	REV.
109	7022825	Plug, Male - 8 Position (Black)	1	
	4460871	Socket, Female	7	
		HANDLE ASSEMBLY	Ref.	
	7022812	Controller Assembly p/n 16000318	Ref.	
	70002727	Controller Assembly p/n 1001118416	Ref.	
201	7003972	Boot, Switch	1	
202	7003973	Half, Handle	2	
203	7003980	Screw	4	
204	7019167	Nut	4	
205	7019164	Axle	1	
206	7019165	Rocker	1	
207		Wiring Assembly	1	
	See Note	Wiring for Controller Assy p/n 16000318 (Note: Not Available for Purchase)		
	70002729	Wiring for Controller Assy p/n 1001118416 Switch, Micro Options:	2	
	7019166	Switch for Controller Assy p/n 16000318		
	7003982	Switch for Controller Assy p/n 1001118416		
208	7003983	Setscrew	2	
209	7019194	Coupling	1	
210	7003989	Gasket	2	

SECTION 4 PLATFORM

SECTION 4 PLATFORM

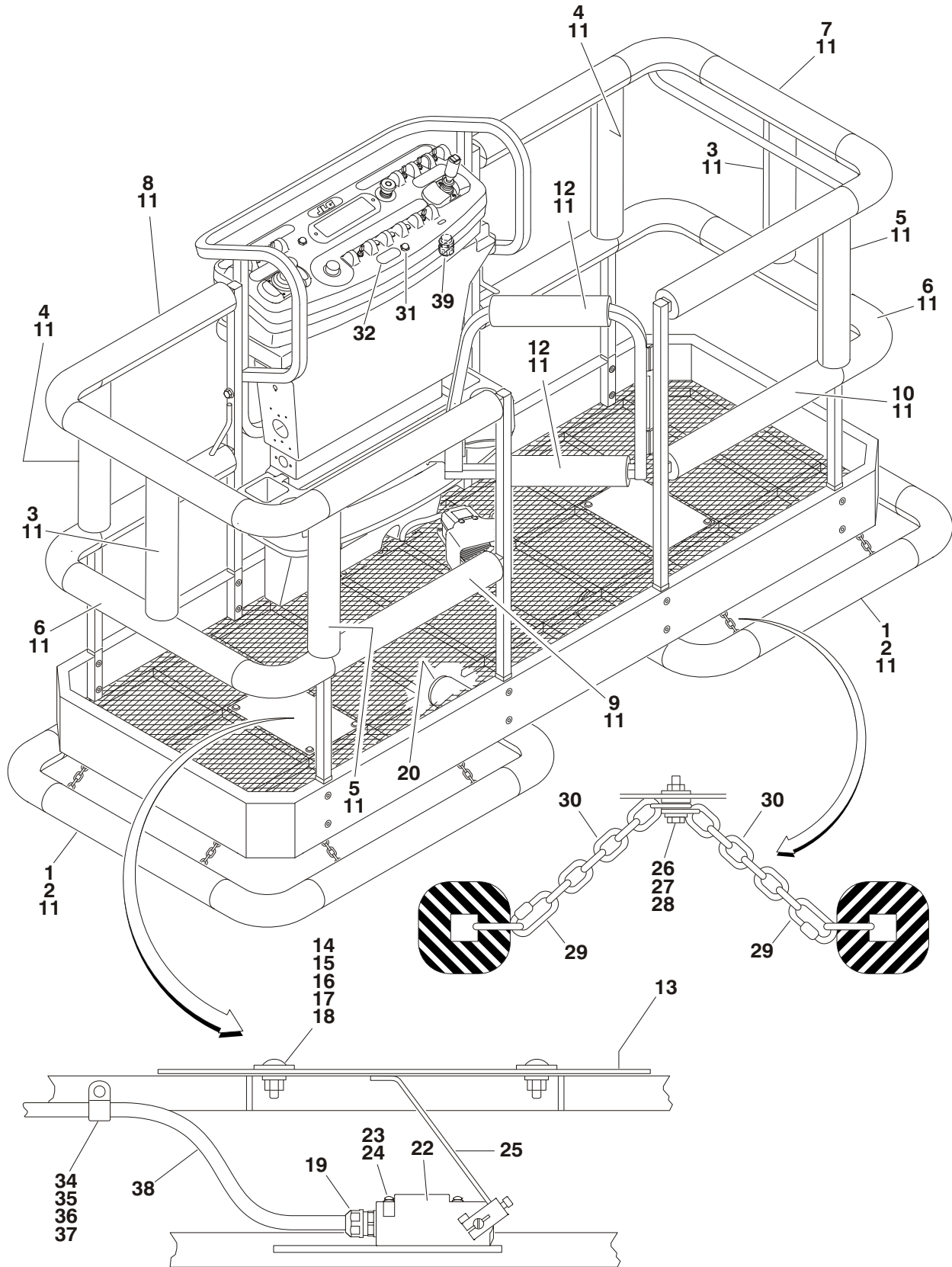
FIGURE 4-10. OEM CONTROLLER ASSEMBLY (DRIVE/STEER) (WITH ADE SYSTEM) (S/N 0300064249 TO S/N 0300069000) (CONTINUED)

FIG & ITEM #	PART NUMBER	DESCRIPTION	QTY.	REV.

**S
E
C
T
I
O
N
4
P
L
A
T
F
O
R
M**

SECTION 4 PLATFORM

FIGURE 4-11. SOFT TOUCH SYSTEM INSTALLATION (OPTIONAL)



SECTION 4 PLATFORM

SECTION 4 PLATFORM

FIGURE 4-11. SOFT TOUCH SYSTEM INSTALLATION (OPTIONAL)

FIG & ITEM #	PART NUMBER	DESCRIPTION	QTY.	REV.
		SOFT TOUCH SYSTEM INSTALLTION OPTIONS:	Ref.	
	0257840	6ft/1.8m Platforms (Prior to S/N 0300035129)	Ref.	1
	0257849	6Ft/1.8m Platforms (S/N 0300035129 to S/N 0300064249)	Ref.	1
	0271550	6Ft/1.8m Platforms - ADE System (S/N 0300064249 to S/N 0300069000)	Ref.	1
	0257841	8ft/2.4m Platforms (Prior to S/N 0300035129)	Ref.	1
	0257850	8Ft/2.4m Platforms (S/N 0300035129 to S/N 0300064249)	Ref.	1
	0271551	8Ft/2.4m Platforms - ADE System (S/N 0300064249 to S/N 0300069000)	Ref.	1
1		Rail Weldment Options:	2	
	4845308	6ft/1.8m Platforms		
	4845309	8ft/2.4m Platforms		
2		Cover, Rail Options:	2	
	1670804	6ft/1.8m Platforms		
	1670803	8ft/2.4m Platforms		
3	1670787	Cover, End Post	2	
4	1670785	Cover, Front Right Post	2	
5	1670786	Cover, Front Left Post	2	
6	1670793	Cover, End Mid Rail	2	
7		Cover, Right End Top Options:	1	
	1670798	6ft/1.8m Platforms		
	1670796	8ft/2.4m Platforms		
8		Cover, Left End Top Options:	1	
	1670797	6ft/1.8m Platforms		
	1670795	8ft/2.4m Platforms		
9		Cover, Left Mid Rail Options:	1	
	1670799	6ft/1.8m Platforms		
	1670789	8ft/2.4m Platforms		
10		Cover, Right Mid Rail Options:	1	
	1670801	6ft/1.8m Platforms		
	1670791	8ft/2.4m Platforms		
11	0940038	Padding, Bumper	70ft/21.4m	
12	1670788	Cover, Gate	2	
13	3539719	Plate, Switch Strike	2	
14	0630462	Bolt, Carriage	8	
15	4761500	Lockwasher 5/16in	8	
16	4751800	Flatwasher 1/2in Regular	8	
17	3311501	Nut 5/16in-18NC	8	
18	4751500	Flatwasher 5/16in Regular	8	
19	4460049	Connector, Strain Relief	2	
20	3530072	Plug, Cap	4	
21	Not Used			
22	4360057	Switch, Limit	2	
23	0731005	Bolt #10-32NC x 5/8in	4	
24	4751000	Lockwasher #10	4	

SECTION 4 PLATFORM

SECTION 4 PLATFORM

FIGURE 4-11. SOFT TOUCH SYSTEM INSTALLATION (OPTIONAL) (CONTINUED)

FIG & ITEM #	PART NUMBER	DESCRIPTION	QTY.	REV.
25	0200550	Arm, Switch	2	
26	0641612	Bolt 3/8in-16NC x 1-1/2in	8	
27	4751600	Flatwasher 3/8in Regular	40	
28	3311605	Locknut 3/8in-16NC	8	
29	3010088	Link, Quick	16	
30	1260136	Chain	10ft/3m	
31	4360387	Switch, Push Button	1	
32	1702938	Decal - Soft Touch Override	1	
33	Not Used			
34	1320040	Clamp	4	
35	0641406	Bolt 1/4in-20NC x 3/4in	4	
36	4711400	Flatwasher 1/4in Thin	8	
37	3311405	Locknut 1/4in-20NC	4	
38		Cable Options:	16ft/4.9m	
	1060330	Cable, Electrical - 16/3 (S/N 0300029105 to S/N 0300064249)		
	1060341	Cable, Electrical - 16/2 (S/N 0300064249 to S/N 0300069000)		
39		Connector, Strain Relief Options:	1	
	4460428	Prior to S/N 0300032415		
	4460425	S/N 0300032415 to S/N 0300069000		

SECTION 4 PLATFORM

SECTION 4 PLATFORM

FIGURE 4-11. SOFT TOUCH SYSTEM INSTALLATION (OPTIONAL) (CONTINUED)

FIG & ITEM #	PART NUMBER	DESCRIPTION	QTY.	REV.

**S
E
C
T
I
O
N

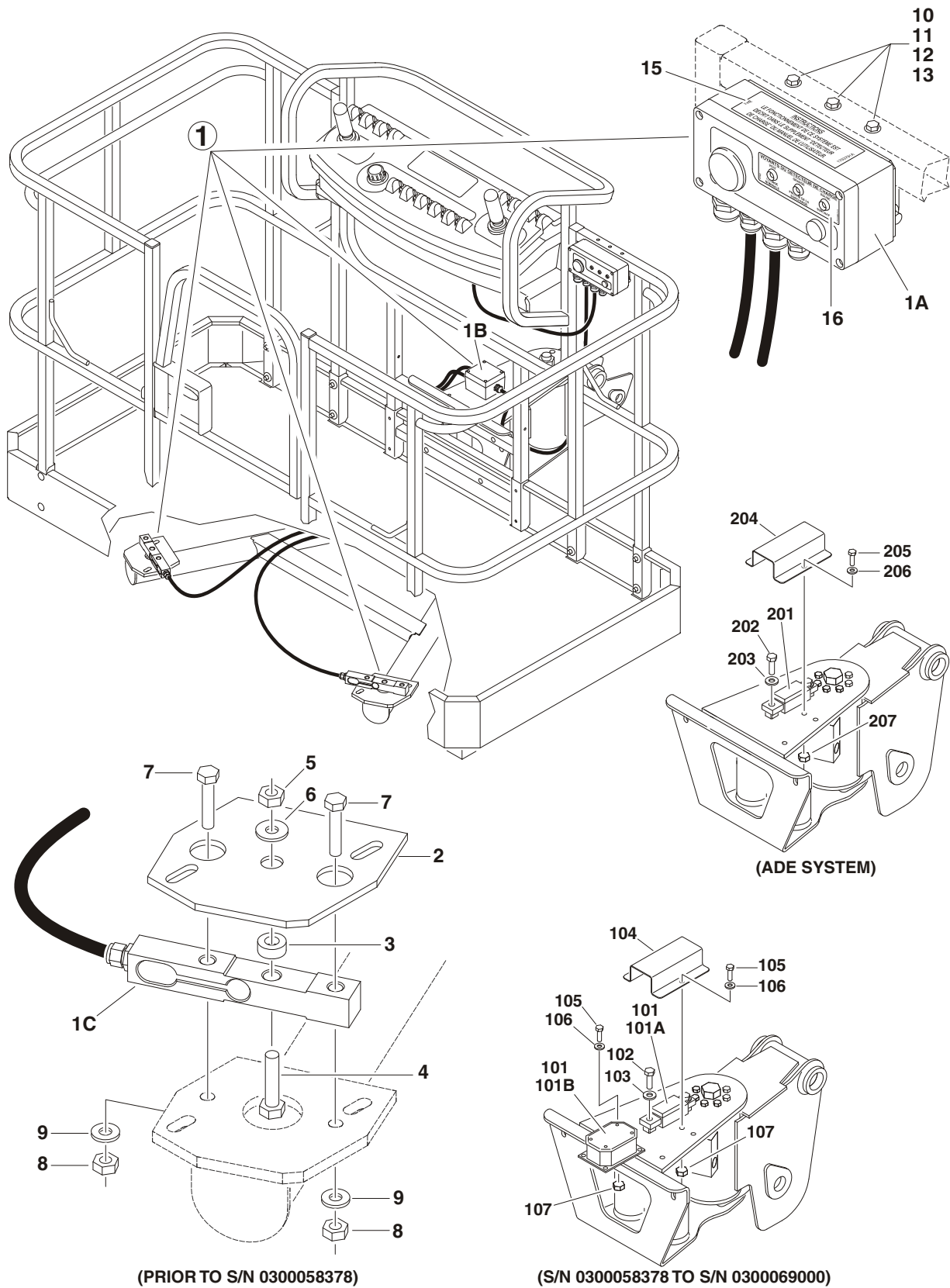
4

P
L
A
T
F
O
R
M**

SECTION 4 PLATFORM

FIGURE 4-12. LOAD SENSING SYSTEM INSTALLATION (FRONT ENTRY PLATFORM)

SECTION 4 PLATFORM



SECTION 4 PLATFORM

FIGURE 4-12. LOAD SENSING SYSTEM INSTALLATION (FRONT ENTRY PLATFORM)

FIG & ITEM #	PART NUMBER	DESCRIPTION	QTY.	REV.
	0257997	PLATFORM LOAD SENSING DEVICE INSTALLATION (WITHOUT ADE SYSTEM PRIOR TO S/N 0300058378)	Ref.	3/A
1	2901557	Load Sensing Assembly	1	
1A	7020057	Display Unit - 12V DC.	1	
1B	7020058	Converter (Junction Box)	1	
1C	7020059	Load Cell	2	
2	3570740	Plate, Spacer	2	
3	0962180	Spacer, Load Cell	2	
4	0641818	Bolt 1/2in-13NC x 2-1/4in	2	
5	3311805	Locknut 1/2in-13NC	2	
6	4751800	Flatwasher 1/2in Regular	2	
7	0641616	Bolt 3/8in-16NC x 2in	4	
8	3300143	Locknut 3/8in-16NC	4	
9	4751600	Flatwasher 3/8in Regular	4	
10	0641416	Bolt 1/4in-20NC x 2in	3	
11	3311401	Nut 1/4in-20NC	3	
12	4751400	Flatwasher 1/4in Regular	3	
13	4761400	Lockwasher 1/4in	3	
14	Not Used			
15	1703791	Decal - Instruction Load Sensing System	1	
16	1703801	Decal - Load Sensing Device Lights	1	
17	3124025	Manual Supplement (Not Shown)	1	
	0259233/ 0271474	PLATFORM LOAD SENSING DEVICE INSTALLATION (WITHOUT ADE SYSTEM S/N 0300058378 TO S/N 0300069000)	Ref.	4/C 1/B
101	2901811	Load Sensing Assembly	1	
101A	3990109	Transducer, Pressure	1	
101B	7023332	Card, Control	1	
	7023331	Fuse	1	
	7023333	Holder, Fuse	1	
102	0701010	Bolt 10mm x 20mm	2	
103	4812000	Flatwasher 10mm	2	
104	1670900	Cover, Load Cell	1	
105	0641407	Bolt 1/4in-20NC x 7/8in	4	
106	4761400	Lockwasher 1/4in	4	
107	3311401	Nut 1/4in-20NC	4	
108 to 120	Not Used			
	0271543	PLATFORM LOAD SENSING DEVICE INSTALLATION (WITH ADE SYSTEM)	Ref.	1A
201	3990109	Transducer, Pressure	1	
202	0701010	Bolt 10mm x 20mm	2	
203	4812000	Flatwasher 10mm	2	
204	1670900	Cover, Load Cell	1	

SECTION 4 PLATFORM

SECTION 4 PLATFORM

**FIGURE 4-12. LOAD SENSING SYSTEM INSTALLATION (FRONT ENTRY PLATFORM)
(CONTINUED)**

FIG & ITEM #	PART NUMBER	DESCRIPTION	QTY.	REV.
205	0641407	Bolt 1/4in-20NC x 7/8in	2	
206	4761400	Lockwasher 1/4in	2	
207	3311401	Nut 1/4in-20NC	2	
208	Not Used			
209	4460226	Terminal, Socket (Not Shown) (Located in Console Box)	4	

SECTION 4 PLATFORM

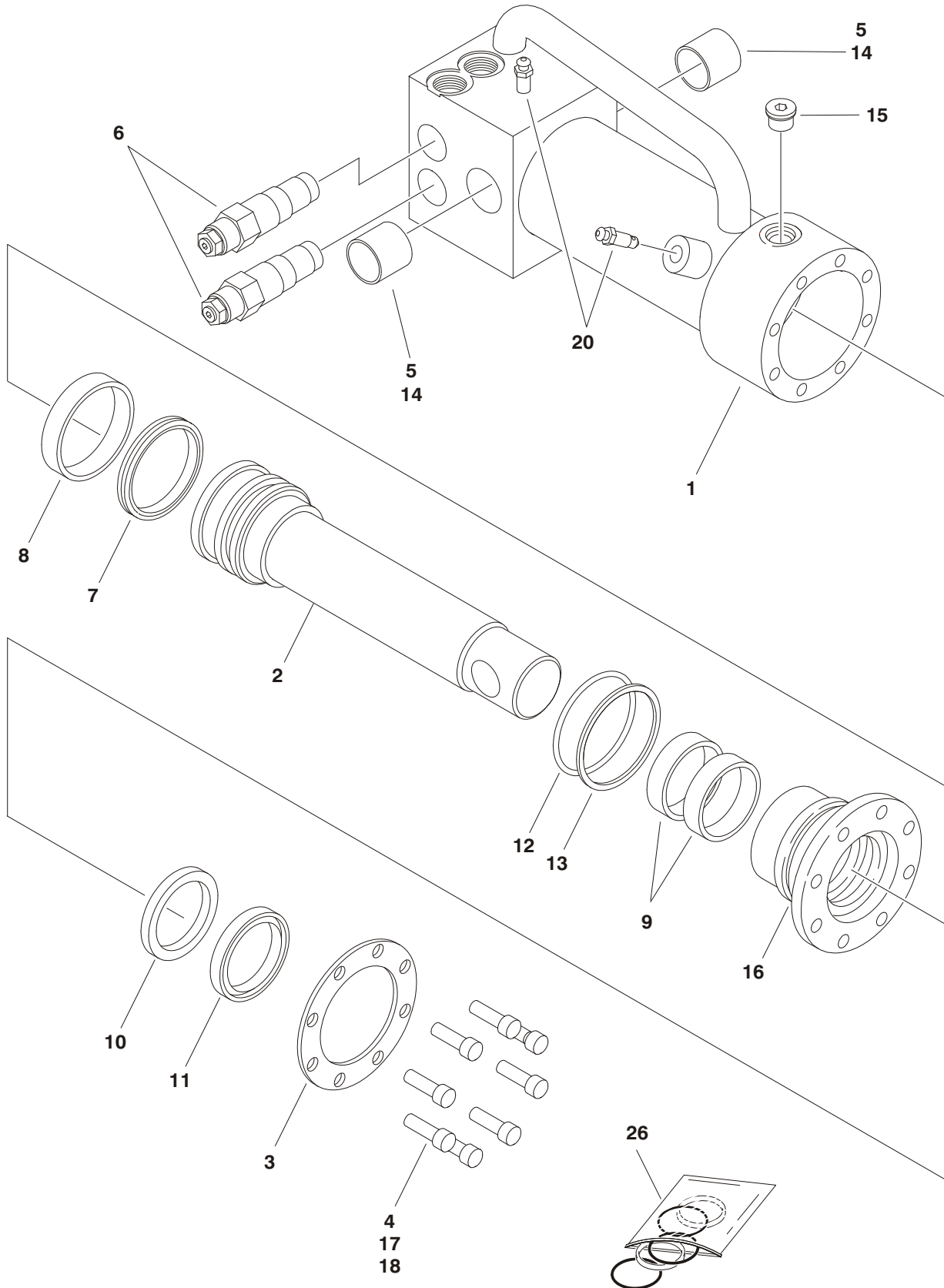
SECTION 5 CYLINDER

TABLE OF CONTENTS		
FIGURE	DESCRIPTION	PAGE
5-1	AXLE LOCKOUT CYLINDER ASSEMBLY	5-2
5-2	PLATFORM LEVEL CYL ASSEMBLIES (PRIOR TO S/N 0300024714)	5-4
5-3	PLATFORM LEVEL CYL ASSEMBLIES (S/N 0300024714 TO S/N 0300069000).	5-8
5-4	LEVEL (UPRIGHT) CYLINDER ASSEMBLY	5-12
5-5	LIFT (ARTICULATING JIB) CYLINDER ASSEMBLY	5-14
5-6	LIFT (MAIN BOOM) CYLINDER ASSEMBLY	5-16
5-7	LIFT (TOWER BOOM) CYLINDER ASSEMBLY	5-18
5-8	MASTER CYLINDER ASSEMBLIES	5-20
5-9	STEER CYLINDER ASSEMBLIES	5-24
5-10	TELESCOPE (MAIN BOOM) CYLINDER ASSEMBLIES	5-26
5-11	TELESCOPE (TOWER BOOM) CYLINDER ASSEMBLY	5-28
5-12	CYLINDER BELLOWS INSTALLATION (OPTIONAL)	5-30

SECTION 5 CYLINDER

SECTION 5 CYLINDER

FIGURE 5-1. AXLE LOCKOUT CYLINDER ASSEMBLY



SECTION 5 CYLINDER

SECTION 5 CYLINDER

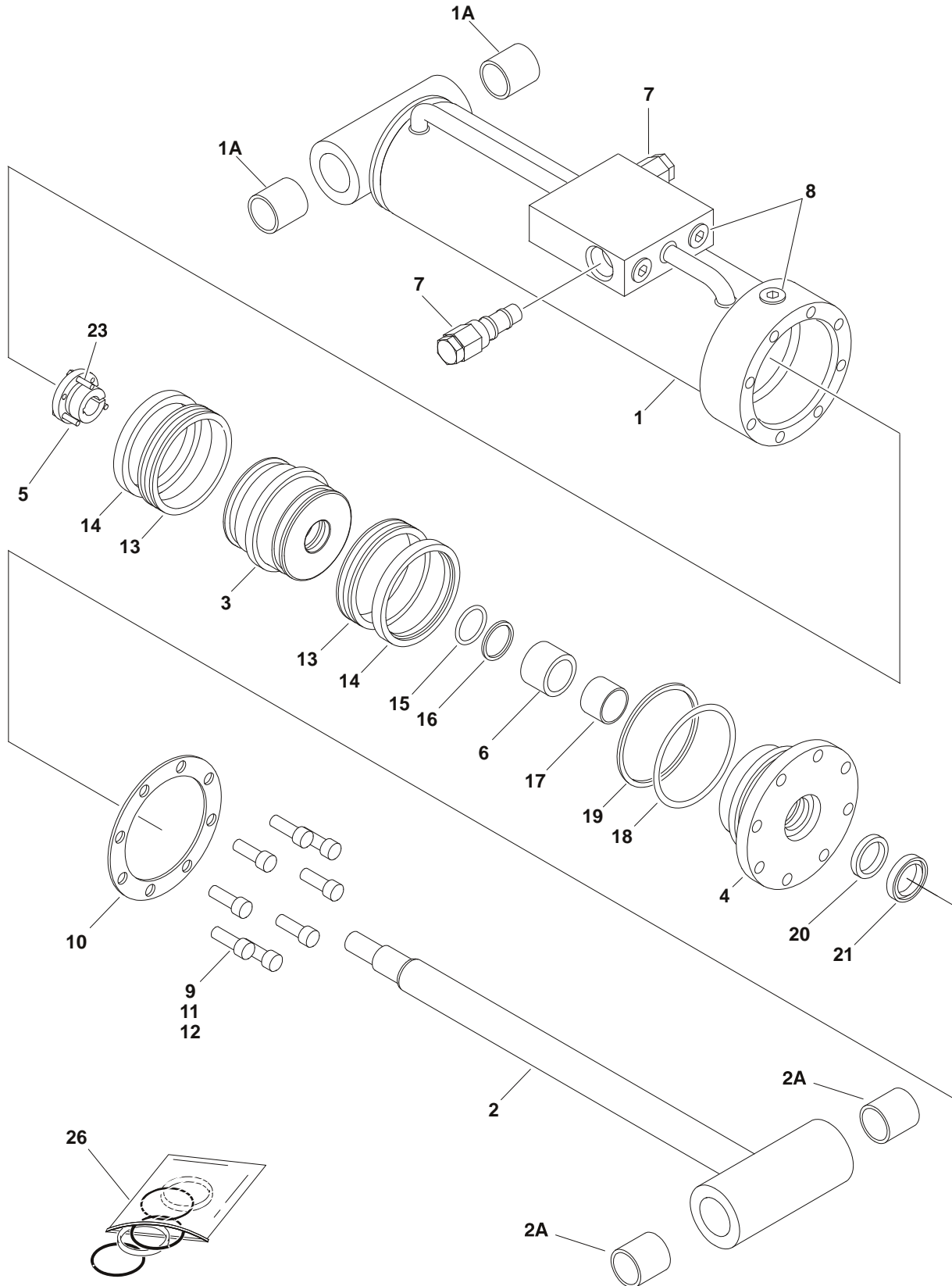
FIGURE 5-1. AXLE LOCKOUT CYLINDER ASSEMBLY

FIG & ITEM #	PART NUMBER	DESCRIPTION	QTY.	REV.
	1683280	AXLE LOCKOUT CYLINDER ASSEMBLY	Ref	6/D
1	1683281	Barrel Weldment	1	
2	1683283	Rod Weldment	1	
3	3760369	Ring, Washer	1	
4	0681610	Bolt 3/8in-16NC x 1-1/4in (Grade 8)	8	
5		Bushing Options:	4	
	0961890	Prior to S/N 0300069092		
	0962474	S/N 0300069092 to S/N 0300069000		
6		Valve, Cartridge Options:	2	
	4640525	Prior to S/N 0300056900		
	4641162	S/N 0300056900 to S/N 0300069000		
	2900770	Seal Kit - 4640525 Valve		
7	Use 2901321	Seal	1	
8	Use 2901321	Ring, Wear	1	
9	Use 2901321	Ring, Wear	2	
10	Use 2901321	Seal, Rod	1	
11	Use 2901321	Wiper, Rod	1	
12	Use 2901321	O-Ring	1	
13	Use 2901321	Ring, Back-Up	1	
14	0100063	Adhesive	A/R	
15	2220885	Plug, O-Ring	1	
16	1683057	Head	1	
17	0100011	Compound, Locking	A/R	
18	0100038	Primer, Locking	A/R	
19	Not Used			
20	4640858	Valve, Bleeder	2	
21 to 25	Not Used			
26	2901321	Seal Kit (Includes Items 7-13)	1	

SECTION 5 CYLINDER

SECTION 5 CYLINDER

FIGURE 5-2.PLATFORM LEVEL CYLINDER ASSEMBLIES (PRIOR TO S/N 0300024714)



SECTION 5 CYLINDER

SECTION 5 CYLINDER

FIGURE 5-2. PLATFORM LEVEL CYLINDER ASSEMBLIES (PRIOR TO S/N 0300024714)

FIG & ITEM #	PART NUMBER	DESCRIPTION	QTY.	REV.
	1683271	PLATFORM LEVEL CYLINDER ASSEMBLY - 600A	Ref.	2/B
	1683253	PLATFORM LEVEL CYLINDER ASSEMBLY - 600AJ	Ref.	3/E
1		Barrel Options:	1	
	1683272	600A		
	1683254	600AJ	1	
1A		Bushing, Garmax Options:	2	
	0961947	600A		
	0961951	600AJ		
2		Rod Options:	1	
	1683274	600A		
	1683333	600AJ	1	
2A		Bushing, Garmax Options:	2	
	0961947	600A		
	0961951	600AJ		
3		Piston Options:	1	
	3480210	600A		
	3480188	600AJ		
4		Head Options:	1	
	1683053	600A		
	1683055	600AJ		
5		Bushing, Tapered Options:	1	
	0961893	600A		
	0961894	600AJ		
6	4566468	Spacer	1	
7	4640509	Cartridge, Valve	1	
	2900792	Seal Kit - 4640509 Valve	1	
8	2220885	Plug, O-Ring	1	
9		Capscrew Options:	8	
	3931516	600A - Capscrew, Socket Head 5/16in-18NC x 1in		
	3931620	600AJ - Capscrew, Socket Head 3/8in-16NCx1-1/4in		
10		Ring, Washer Options:	1	
	3760368	600A		
	3760369	600AJ		
11	0100011	Compound, Locking	A/R	
12	0100038	Primer, Locking	A/R	
13	See Note	Seal (Note: Use Item 26)	2	
14	See Note	Ring, Lock (Note: Use Item 26)	2	
15	See Note	O-Ring (Note: Use Item 26)	1	
16	See Note	Ring, Back-up (Note: Use Item 26)	1	
17	See Note	Ring, Wear (Note: Use Item 26)	1	
18	See Note	O-Ring (Note: Use Item 26)	1	
19	See Note	Ring, Back-up (Note: Use Item 26)	1	
20	See Note	Seal, Rod (Note: Use Item 26)	1	
21	See Note	Wiper (Note: Use Item 26)	1	
22	Not Used			
23	0630535	Bolt #10 - 24NC x 1-1/8in	3	

**SECTION 5
CYLINDER**

SECTION 5 CYLINDER

**FIGURE 5-2. PLATFORM LEVEL CYLINDER ASSEMBLIES (PRIOR TO S/N 0300024714)
(CONTINUED)**

FIG & ITEM #	PART NUMBER	DESCRIPTION	QTY.	REV.
24 to 25 26	Not Used 2901303 2901301	Seal Kit Options (Includes Items 13-21): 600A 600AJ	1	

SECTION 5 CYLINDER

SECTION 5 CYLINDER

FIGURE 5-2. PLATFORM LEVEL CYLINDER ASSEMBLIES (PRIOR TO S/N 0300024714)
(CONTINUED)

FIG & ITEM #	PART NUMBER	DESCRIPTION	QTY.	REV.

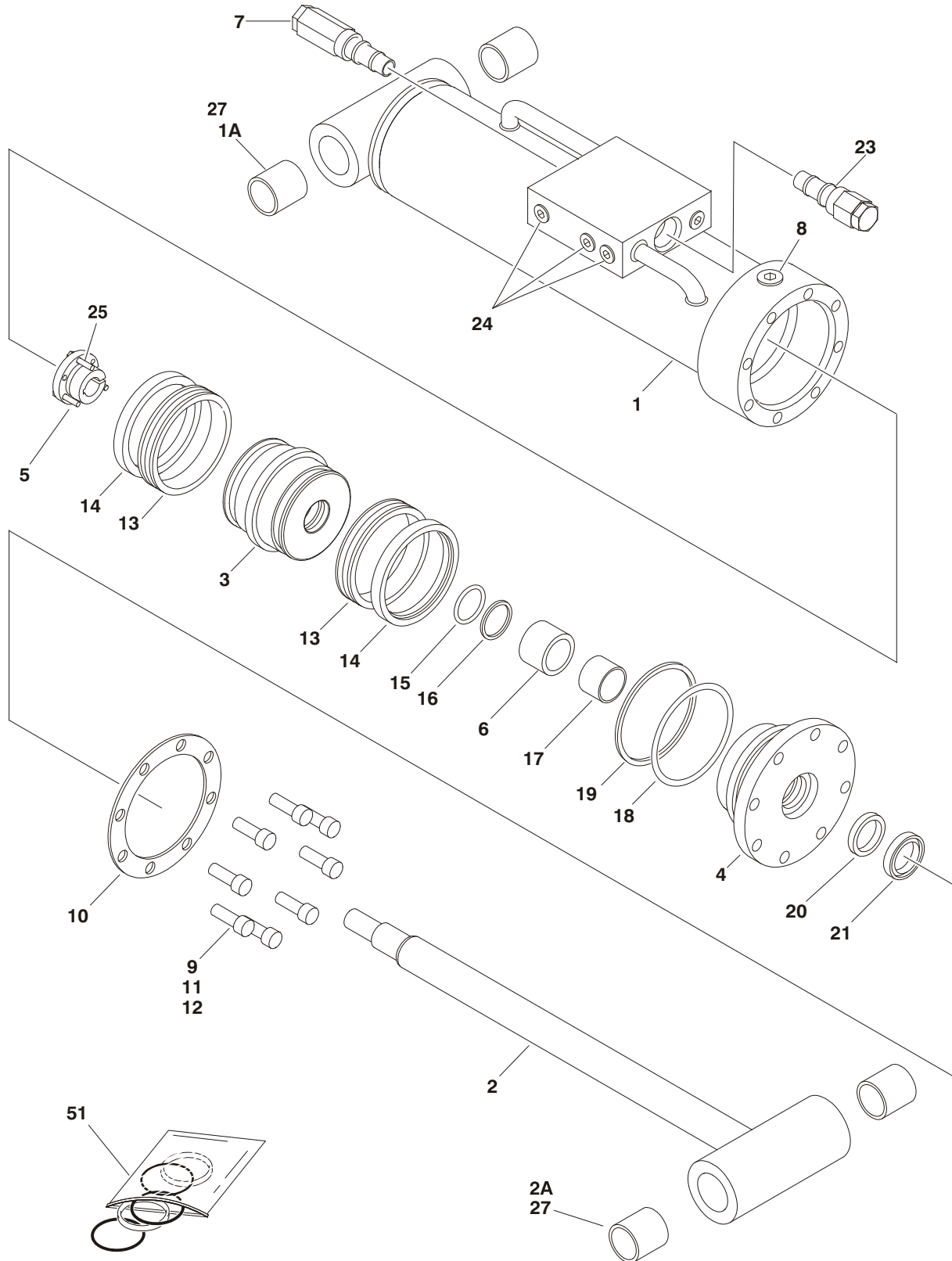
**S
E
C
T
I
O
N

5

C
Y
L
I
N
D
E
R**

SECTION 5 CYLINDER

FIGURE 5-3.PLATFORM LEVEL CYLINDER ASSEMBLIES (S/N 0300024714 TO S/N 0300069000)



SECTION 5 CYLINDER

SECTION 5 CYLINDER

FIGURE 5-3. PLATFORM LEVEL CYLINDER ASSEMBLIES (S/N 0300024714 TO S/N 0300069000)

FIG & ITEM #	PART NUMBER	DESCRIPTION	QTY.	REV.
	1683415	PLATFORM LEVEL CYLINDER ASSEMBLY - 600A	Ref.	C
	1683418	PLATFORM LEVEL CYLINDER ASSEMBLY - 600AJ	Ref.	D
1		Barrel Weldment Options:	1	
	1683416	600A (S/N 0300024714 to S/N 0300053552) (Note: Includes Item 1A)		
	1683977	600A (S/N 0300053552 to S/N 0300069000) (Note: Includes Item 1A)		
	1683419	600AJ (S/N 0300024714 to S/N 0300052685) (Note: Includes Item 1A)		
	1683952	600AJ (S/N 0300052685 to S/N 0300069000) (Note: Item 1A not included. Purchase Separately)		
1A		Bushing, Garmax Options:	2	
	0961947	600A - Garmax		
	0961951	600AJ - Composite		
2		Rod Weldment Options:	1	
	1683274	600A (S/N 0300024714 to S/N 0300053552) (Note: Includes Item 2A)		
	1683976	600A (S/N 0300053552 to S/N 0300069000) (Note: Includes Item 2A)		
	1683333	600AJ (S/N 0300024714 to S/N 0300052685) (Note: Includes Item 2A)		
	1683963	600AJ (S/N 0300052685 to S/N 0300069000) (Note: Item 2A not included. Purchase Separately)		
2A		Bushing, Garmax Options:	2	
	0961947	600A - Garmax		
	0961951	600AJ - Composite		
3		Piston Options:	1	
	3480210	600A		
	3480188	600AJ		
4		Head Options:	1	
	1683053	600A		
	1683055	600AJ		
5		Bushing, Tapered (Includes Item 25) Options:	1	
	0961893	600A		
	0961894	600AJ		
6	4566468	Spacer	1	
7	4640509	Cartridge, Valve	1	
	2900792	Seal Kit - 4640509 Valve	1	
8	2220885	Plug, O-Ring	1	
9		Capscrew, Socket Head Options:	8	
	3931516	600A - Capscrew 5/16in-18NC x 1in		
	3931620	600AJ - Capscrew 3/8in-16NC x 1-1/4in		
10		Ring, Washer Options:	1	
	3760368	600A		
	3760369	600AJ		
11	0100011	Compound, Locking	A/R	

SECTION 5 CYLINDER

SECTION 5 CYLINDER

**FIGURE 5-3. PLATFORM LEVEL CYLINDER ASSEMBLIES (S/N 0300024714 TO S/N 0300069000)
(CONTINUED)**

FIG & ITEM #	PART NUMBER	DESCRIPTION	QTY.	REV.
12	0100038	Primer, Locking	A/R	
13	See Note	Seal (Note: Use Item 51)	2	
14	See Note	Ring, Lock (Note: Use Item 51)	2	
15	See Note	O-Ring (Note: Use Item 51)	1	
16	See Note	Ring, Back-up (Note: Use Item 51)	1	
17	See Note	Ring, Wear (Note: Use Item 51)	1	
18	See Note	O-Ring (Note: Use Item 51)	1	
19	See Note	Ring, Back-up (Note: Use Item 51)	1	
20	See Note	Seal, Rod (Note: Use Item 51)	1	
21	See Note	Wiper (Note: Use Item 51)	1	
22	Not Used			
23	4640932	Cartridge, Valve	1	
	7011112	Seal Kit - 4640932 Valve	1	
24	2220883	Plug, O-Ring	8	
25		Bolt Options:	3	
	0630534	600A - Bolt #10 - 24NC x 1in		
	0630535	600AJ - Bolt 1/4in - 20NC x 1-1/8in		
26	Not Used			
27	0100063	Adhesive	A/R	
28 to 50	Not Used			
51		Seal Kit Options (Includes Items 13-21):	1	
	2901303	600A		
	2901301	600AJ		

SECTION 5 CYLINDER

SECTION 5 CYLINDER

FIGURE 5-3. PLATFORM LEVEL CYLINDER ASSEMBLIES (S/N 0300024714 TO S/N 0300069000)
(CONTINUED)

FIG & ITEM #	PART NUMBER	DESCRIPTION	QTY.	REV.

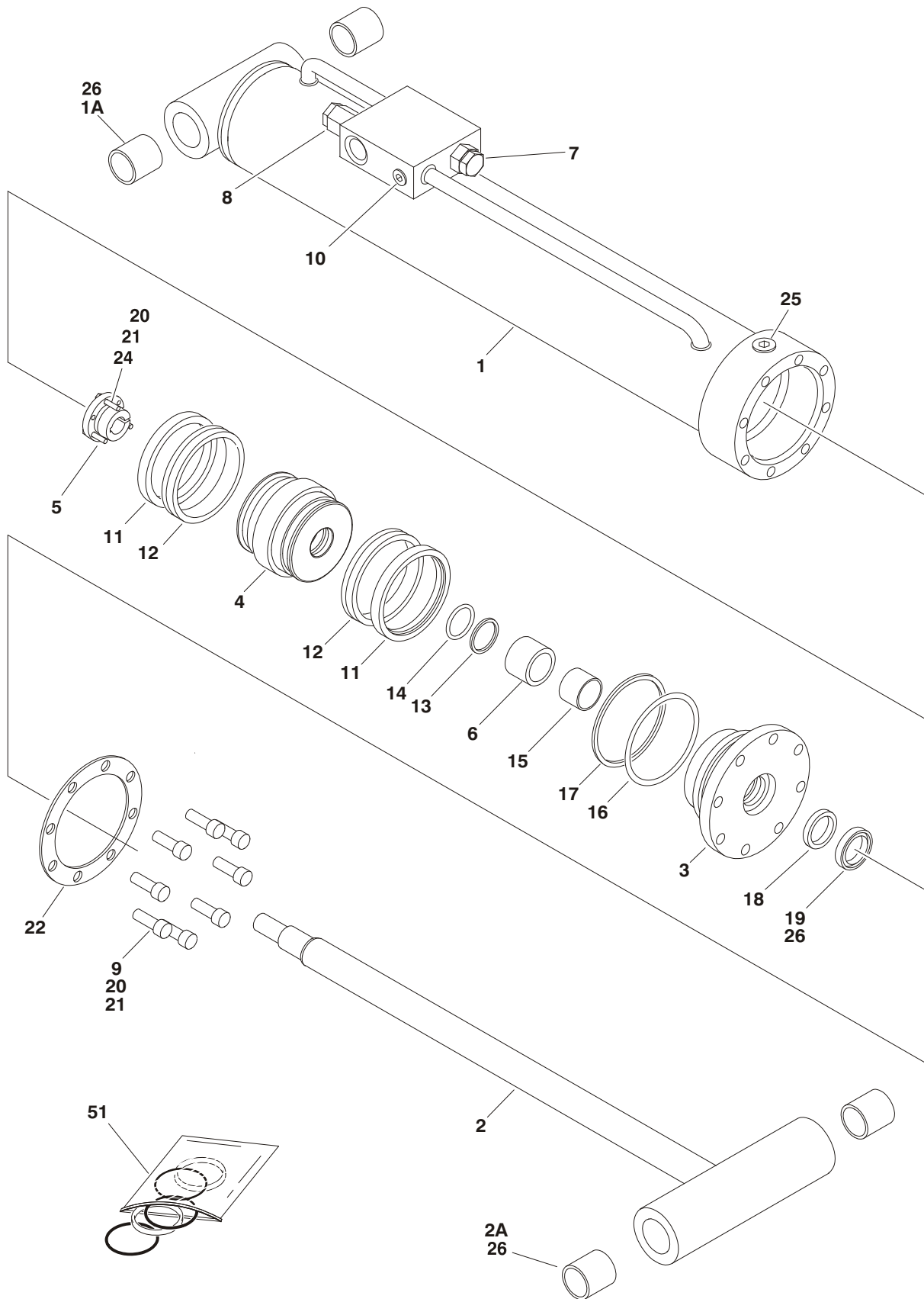
**S
E
C
T
I
O
N

5

C
Y
L
I
N
D
E
R**

SECTION 5 CYLINDER

FIGURE 5-4. LEVEL (UPRIGHT) CYLINDER ASSEMBLY



SECTION 5 CYLINDER

SECTION 5 CYLINDER

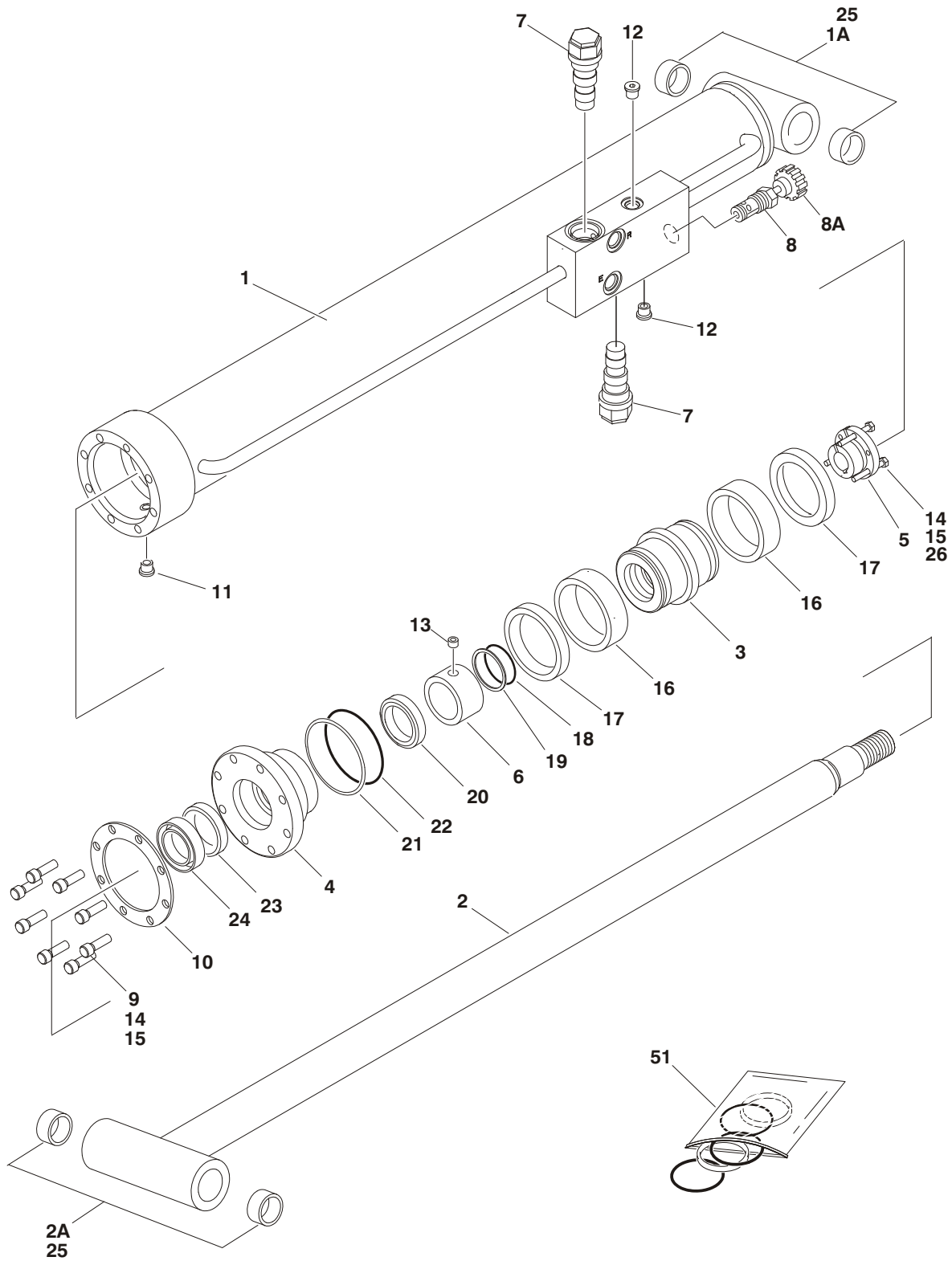
FIGURE 5-4. LEVEL (UPRIGHT) CYLINDER ASSEMBLY

FIG & ITEM #	PART NUMBER	DESCRIPTION	QTY.	REV.
		LEVEL (UPRIGHT) CYLINDER ASSEMBLY	Ref	
	1683299	Original Equipment	Ref	F
	1684498	Service Replacement	Ref	C
		Note: Original Equipment components may have been replaced with Service Replacement components part. Identify p/n stamped on cylinder before ordering parts.	Ref	
1		Barrel Weldment Options:	1	
	1683300	Prior to S/N 0300056430		
	Use 0370035	S/N 0300056430 to S/N 0300069000 (Original Equipment) (was p/n 1684014)		
	0370035	Service Replacement		
1A	0961949	Bushing, Composite	2	
2		Rod Weldment Options:	1	
	1683302	Prior to S/N 0300056430		
	1684015	S/N 0300056430 to S/N 0300069000		
2A	0961949	Bushing, Composite	2	
3	1683067	Head	1	
4	3480206	Piston	1	
5	0961898	Bushing, Tapered (Use item #24 in place of supplied bolts)	1	
6	4566501	Spacer, Tube	1	
7	4640509	Cartridge, Valve	1	
	2900792	Seal Kit - 4640509 Valve	1	
8	4640605	Cartridge, Valve	1	
	2900792	Seal Kit - 4640605 Valve	1	
9	3932032	Bolt, Socket Head 5/16in-11NC x 2in	8	
10	2220883	Plug, O-Ring	2	
11	Use 2901285	Ring, Lock	2	
12	Use 2901285	Seal, Hydrolock	2	
13	Use 2901285	O-Ring	1	
14	Use 2901285	Ring, Back-up	2	
15	Use 2901285	Ring, Wear	1	
16	Use 2901285	O-Ring	1	
17	Use 2901285	Ring, Back-up	1	
18	Use 2901285	Seal, Rod	1	
19	Use 2901285	Wiper	1	
20	0100011	Compound, Locking	A/R	
21	0100038	Primer, Locking	A/R	
22	3760372	Washer, Ring	1	
23	Not Used			
24	0630536	Bolt 3/8in-16NC x 1-1/2in	3	
25	2220886	Plug, O-Ring	1	
26	0100063	Adhesive	A/R	
27 to 50	Not Used			
51	2901285	Seal Kit (Includes Items 11-19)	1	

SECTION 5 CYLINDER

SECTION 5 CYLINDER

FIGURE 5-5.LIFT (ARTICULATING JIB) CYLINDER ASSEMBLY



SECTION 5 CYLINDER

SECTION 5 CYLINDER

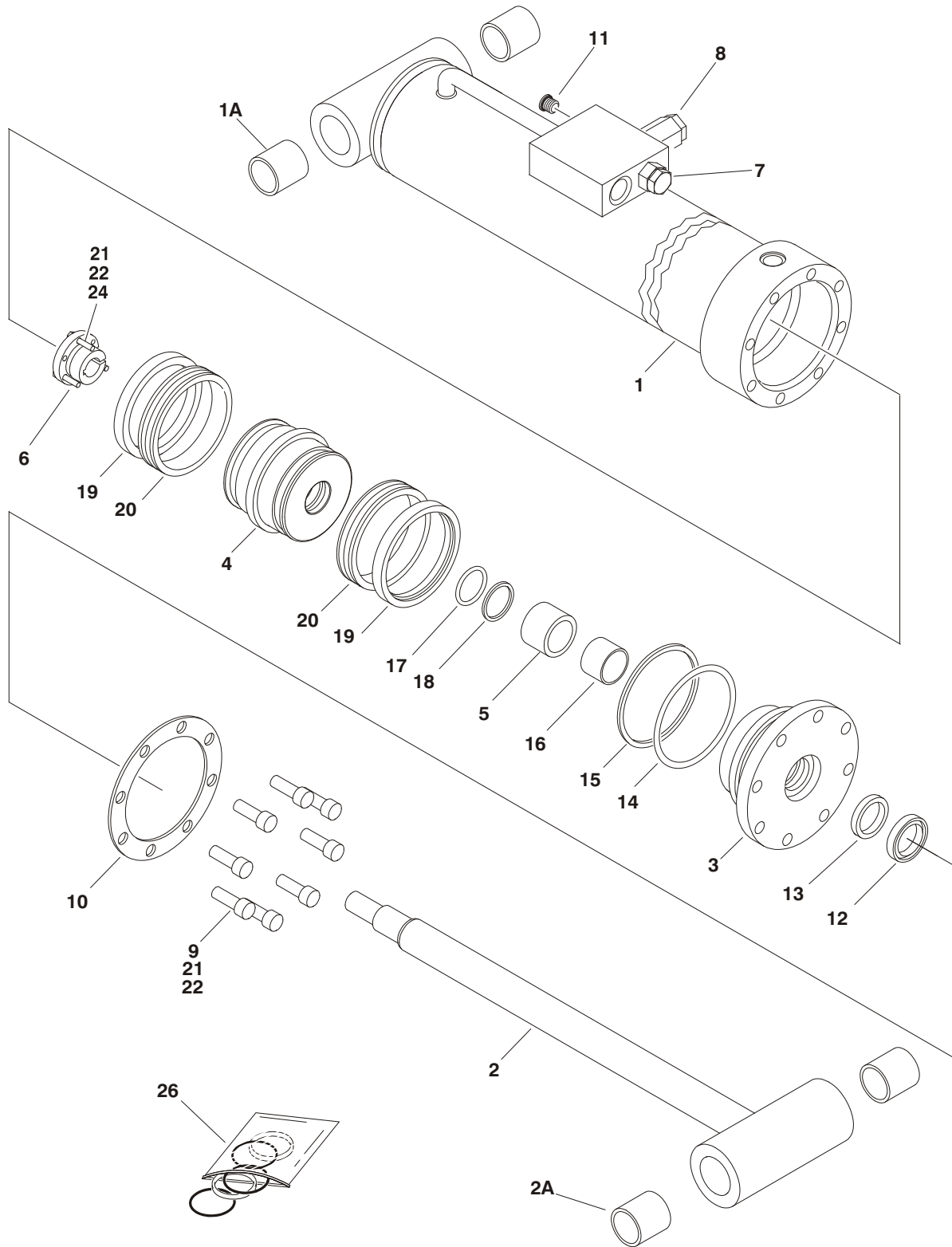
FIGURE 5-5. LIFT (ARTICULATING JIB) CYLINDER ASSEMBLY

FIG & ITEM #	PART NUMBER	DESCRIPTION	QTY.	REV.
	1683258	LIFT CYLINDER ASSEMBLY - 600AJ	Ref.	C
1		Barrel Options:	1	
	1683259	Prior to S/N 0300062140		
	1684092	S/N 0300062140 to S/N 0300069000		
1A		Bushing Options:	2	
	0961947	Bushing, Garmax (Prior to S/N 0300062140)		
	0962336	Bushing, Composite (S/N 0300062140 to S/N 0300069000)		
2		Rod Options:	1	
	1683261	Prior to S/N 0300062140		
	1684090	S/N 0300062140 to S/N 0300069000		
2A		Bushing Options:	2	
	0961947	Bushing, Garmax (Prior to S/N 0300062140)		
	0962336	Bushing, Composite (S/N 0300062140 to S/N 0300069000)		
3	3480210	Piston	1	
4	1683053	Head	1	
5	0961893	Bushing, Tapered	1	
6	4566471	Spacer	1	
7	4640509	Cartridge, Valve	2	
	2900792	Seal Kit - 4640509 Valve	2	
8	4640902	Cartridge, Valve	1	
	7012953	Seal Kit - 4640902 Valve	1	
8A	7012961	Knob	1	
9	3931516	Capscrew, Socket Head 5/16in-18NC x 1in	8	
10	3760368	Ring, Washer	1	
11	2220885	Plug, O-Ring #6	1	
12	2220883	Plug, O-Ring #4	2	
13	3900141	Setscrew 1/4in-20NC x 3/8in	1	
14	0100011	Compound, Locking	A/R	
15	0100038	Primer, Locking	A/R	
16	See Note	Seal	2	
17	See Note	Ring, Lock	2	
18	Use 2901303	O-Ring	1	
19	Use 2901303	Ring, Back-Up	2	
20	Use 2901303	Ring, Wear	1	
21	Use 2901303	O-Ring	1	
22	Use 2901303	Ring, Back-Up	1	
23	Use 2901303	Seal, Rod	1	
24	Use 2901303	Wiper	1	
25	0100063	Adhesive	A/R	
26	0630534	Bolt #10 - 24NC x 1in	3	
27 to 50	Not Used			
51	2901303	Seal Kit (Includes Items 16-24)	1	

SECTION 5 CYLINDER

SECTION 5 CYLINDER

FIGURE 5-6. LIFT (MAIN BOOM) CYLINDER ASSEMBLY



SECTION 5 CYLINDER

SECTION 5 CYLINDER

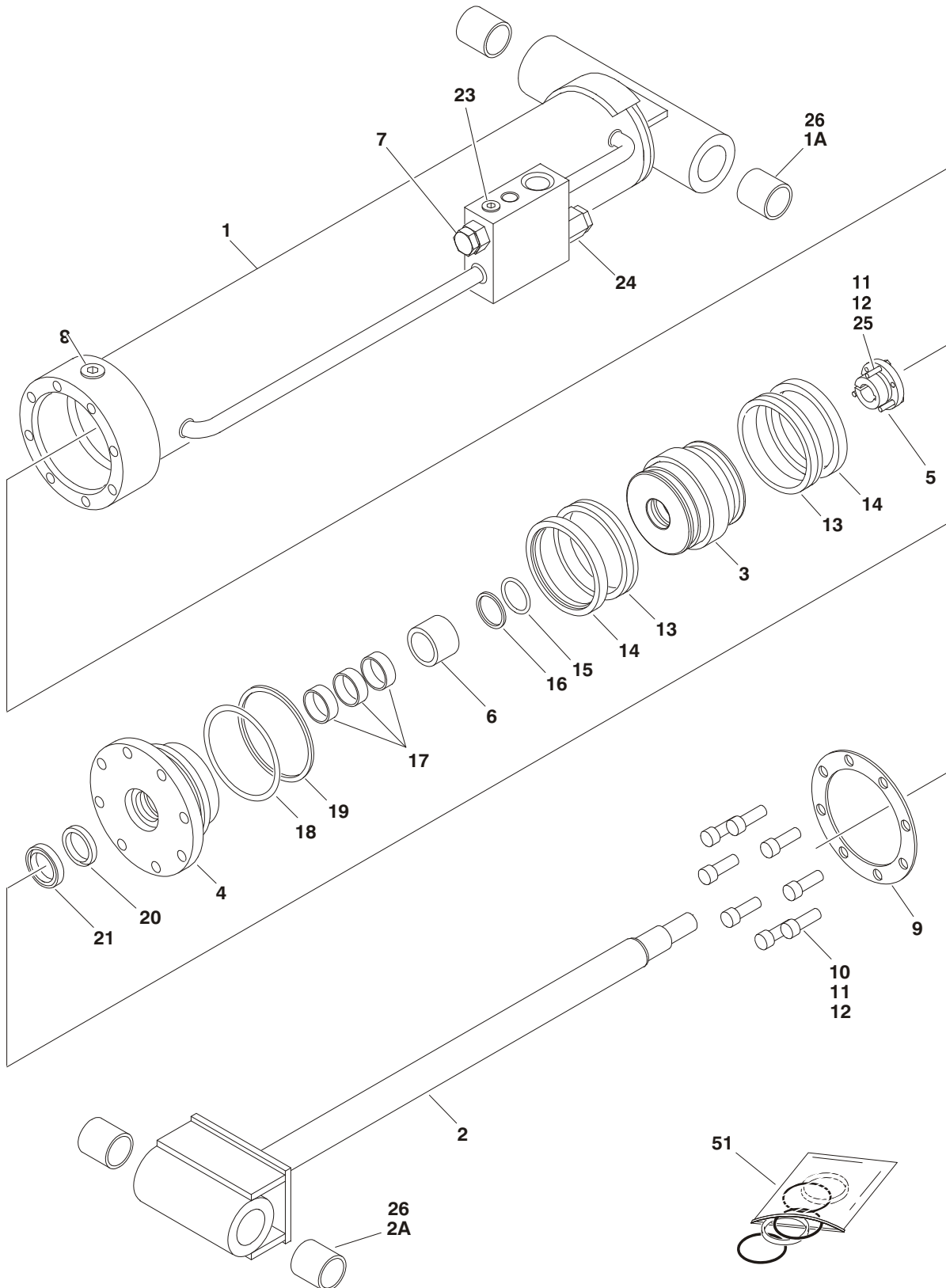
FIGURE 5-6. LIFT (MAIN BOOM) CYLINDER ASSEMBLY

FIG & ITEM #	PART NUMBER	DESCRIPTION	QTY.	REV.
	1683294	LIFT (MAIN BOOM) CYLINDER ASSEMBLY	Ref.	G
1		Barrel Options:	1	
	1683295	Prior to S/N 0300055554		
	1684001	S/N 0300055554 to S/N 0300069000		
1A	0961948	Bushing, Composite	2	
2		Rod Options:	1	
	1683297	Prior to S/N 0300055554		
	1684005	S/N 0300055554 to S/N 0300069000		
2A	0961948	Bushing, Garmax	2	
3	1683061	Head	1	
4	3480211	Piston	1	
5	4566408	Spacer	1	
6	0961897	Bushing, Tapered	1	
7	4640438	Cartridge, Valve	1	
	2900770	Seal Kit - 4640438 Valve	1	
8	4640509	Cartridge, Valve	1	
	2900792	Seal Kit - 4640509 Valve	1	
9	3931720	Capscrew, Socket Head 7/16in-14NC x 1-1/4in	8	
10	3760370	Ring, Washer	1	
11	2220883	Plug, O-Ring #6	1	
12	Use 2901273	Wiper	1	
13	Use I2901273	Seal, Rod	1	
14	Use 2901273	O-Ring	1	
15	Use 2901273	Ring, Back-up	1	
16	Use 2901273	Ring, Wear	2	
17	Use 2901273	O-Ring	1	
18	Use 2901273	Ring, Back-Up	2	
19	Use 2901273	Ring, Lock	1	
20	Use 2901273	Seal	1	
21	0100011	Compound, Locking	A/R	
22	0100038	Primer, Locking	A/R	
23	Not Used			
24	0630535	Bolt 1/4in-20NC x 1-1/8in	3	
25	Not Used			
26	2901273	Seal Kit (Includes Items 12-20)	1	

SECTION 5 CYLINDER

SECTION 5 CYLINDER

FIGURE 5-7.LIFT (TOWER BOOM) CYLINDER ASSEMBLY



SECTION 5 CYLINDER

SECTION 5 CYLINDER

FIGURE 5-7. LIFT (TOWER BOOM) CYLINDER ASSEMBLY

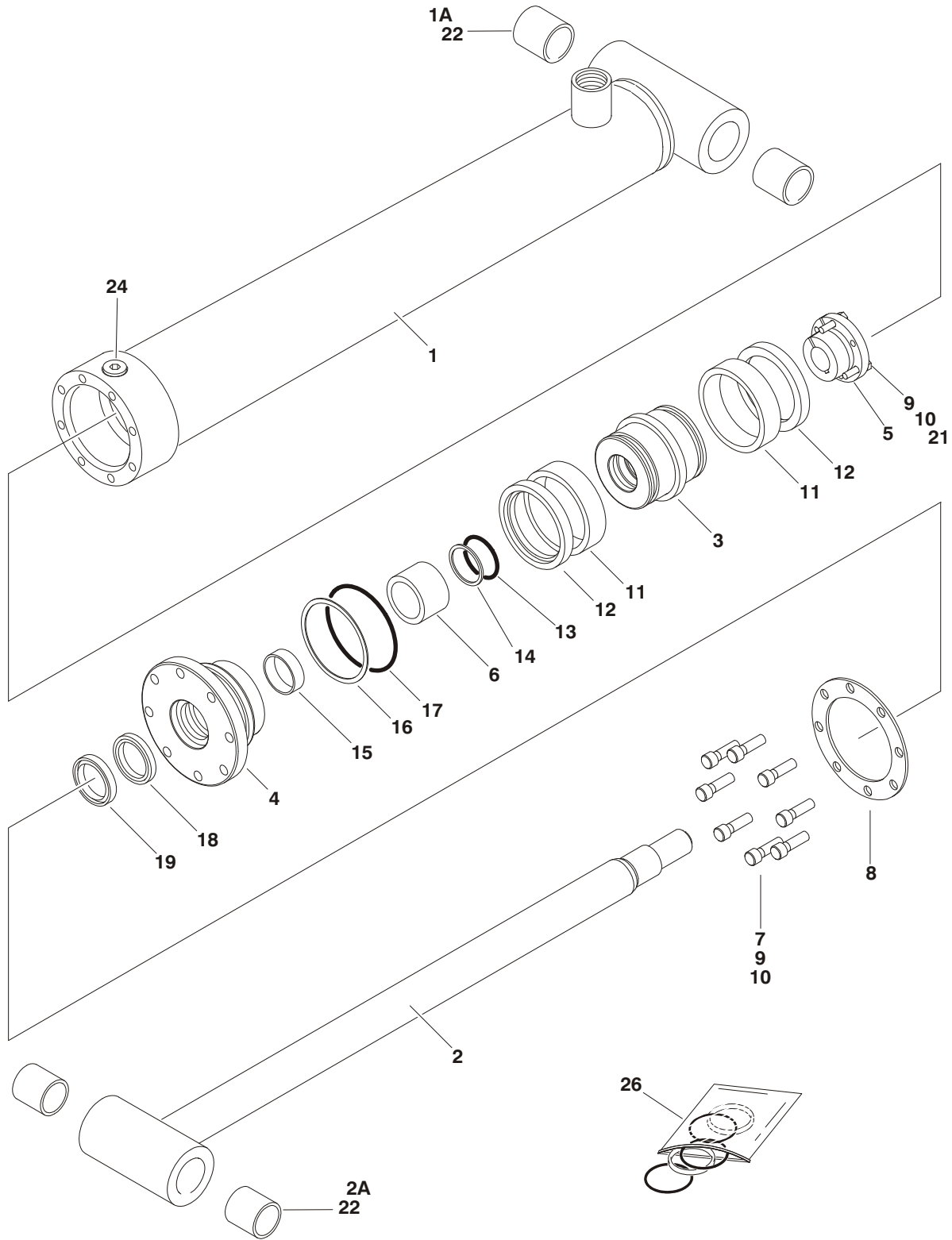
FIG & ITEM #	PART NUMBER	DESCRIPTION	QTY.	REV.
	1683288	LIFT (TOWER BOOM) CYLINDER ASSEMBLY	Ref.	L
1		Barrel Options:	1	
	1683289	Prior to S/N 0300057328		
	1684017	S/N 0300057328 to S/N 0300069000		
1A	0961949	Bushing, Composite	2	
2		Rod Options:	1	
	1683291	Prior to S/N 0300057328		
	1684019	S/N 0300057328 to S/N 0300069000		
2A	0961949	Bushing, Composite	2	
3	3480216	Piston	1	
4	1683069	Head	1	
5	0961899	Bushing, Tapered	1	
6	4566667	Spacer	1	
7	4640605	Cartridge, Valve	1	
	2900792	Seal Kit - 4640605	1	
8	2220888	Plug, O-Ring #12	1	
9	3760384	Ring, Washer	1	
10	3932240	Capscrew, Socket Head 3/4in-10NC x 2-1/2in	8	
11	0100011	Compound, Locking	A/R	
12	0100038	Primer, Locking	A/R	
13	Use 2901322	Seal	2	
14	Use 2901322	Ring, Lock	2	
15	Use 2901322	O-Ring	1	
16	Use 2901322	Ring, Back-Up	1	
17	Use 2901322	Ring, Wear	3	
18	Use 2901322	O-Ring	1	
19	Use 2901322	Ring, Back-Up	1	
20	Use 2901322	Seal, Rod	1	
21	Use 2901322	Wiper	1	
22	Not Used			
23	2220883	Plug, O-Ring #4	2	
24	4640509	Counterbalance	1	
	2900792	Seal Kit - 4640509	1	
25	0630536	Bolt 3/8in-16NC x 1-1/2in	3	
26	0100063	Adhesive	A/R	
27 to 50	Not Used			
51	2901322	Seal Kit (Includes Items 13-21)	1	

SECTION 5 CYLINDER

SECTION 5 CYLINDER

FIGURE 5-8.MASTER CYLINDER ASSEMBLIES

SECTION 5 CYLINDER



SECTION 5 CYLINDER

FIGURE 5-8. MASTER CYLINDER ASSEMBLIES

FIG & ITEM #	PART NUMBER	DESCRIPTION	QTY.	REV.
	1683266	MASTER CYLINDER ASSEMBLY - 600A	Ref.	C
	1683263	MASTER CYLINDER ASSEMBLY - 600AJ	Ref.	E
1		Barrel Options:	1	
	1683267	600A (Prior to S/N 0300053542) (Note: Includes Item 1A)		
	1683972	600A (S/N 0300053542 to S/N 0300069000) (Note: Includes Item 1A)		
	1683264	600AJ (Prior to S/N 0300052685) (Note: Includes Item 1A)		
	1683949	600AJ (S/N 0300052685 to S/N 0300069000) (Note: Item 1A not included. Purchase Separately)		
1A		Bushing Options:	2	
	0961947	600A - Bushing, Garmax		
	0961951	600AJ - Bushing, Composite		
2		Rod Options:	1	
	1683269	600A (Prior to S/N 0300053542) (Note: Includes Item 2A)		
	1683973	600A (S/N 0300053542 to S/N 0300069000) (Note: Includes Item 2A)		
	1683256	600AJ (Prior to S/N 0300052685) (Note: Includes Item 2A)		
	1683962	600AJ (S/N 0300052685 to S/N 0300069000) (Note: Item 2A not included. Purchase Separately)		
2A		Bushing Options:	2	
	0961947	600A - Bushing, Garmax		
	0961951	600AJ - Bushing, Composite		
3		Piston Options:	1	
	3480210	600A		
	3480188	600AJ		
4		Head Options:	1	
	1683053	600A		
	1683055	600AJ		
5		Bushing, Tapered Options (Use item 21 in place of supplied bolts):	1	
	0961893	600A		
	0961894	600AJ		
6	4566468	Spacer	1	
7		Capscrew, Socket Head Options:	8	
	3931516	600A - Capscrew, Socket Head 5/16in-18NC x 1in		
	3931620	600AJ - Capscrew, Socket Head 3/8in-16NCx1-1/4in		
8		Ring, Washer Options:	1	
	3760368	600A		
	3760369	600AJ		
9	0100011	Compound, Locking	A/R	
10	0100038	Primer, Locking	A/R	
11	See Note	Seal (Note: Use Item 26)	2	
12	See Note	Ring, Lock (Note: Use Item 26)	2	
13	See Note	O-Ring (Note: Use Item 26)	1	
14	See Note	Ring, Back-Up (Note: Use Item 26)	1	

SECTION 5 CYLINDER

SECTION 5 CYLINDER

FIGURE 5-8. MASTER CYLINDER ASSEMBLIES (CONTINUED)

FIG & ITEM #	PART NUMBER	DESCRIPTION	QTY.	REV.
15	See Note	Ring, Wear (Note: Use Item 26)	1	
16	See Note	O-Ring (Note: Use Item 26)	1	
17	See Note	Ring, Back-Up (Note: Use Item 26)	1	
18	See Note	Seal, Rod (Note: Use Item 26)	1	
19	See Note	Wiper (Note: Use Item 26)	1	
20	Not Used			
21		Bolt Options:	3	
	0630534	600A - Bolt #10 - 24NC x 1in		
	0630535	600AJ - Bolt 1/4in-20NC x 1-1/8in		
22	0100063	Adhesive	A/R	
23	Not Used			
24	2220885	Plug, O-Ring #6 (S/N 0300052685 to S/N 0300069000 - 600AJ Only)	1	
25	Not Used			
26		Seal Kit Options (Includes Items 11-19):	1	
	2901303	600A		
	2901301	600AJ		

SECTION 5 CYLINDER

SECTION 5 CYLINDER

FIGURE 5-8. MASTER CYLINDER ASSEMBLIES (CONTINUED)

FIG & ITEM #	PART NUMBER	DESCRIPTION	QTY.	REV.

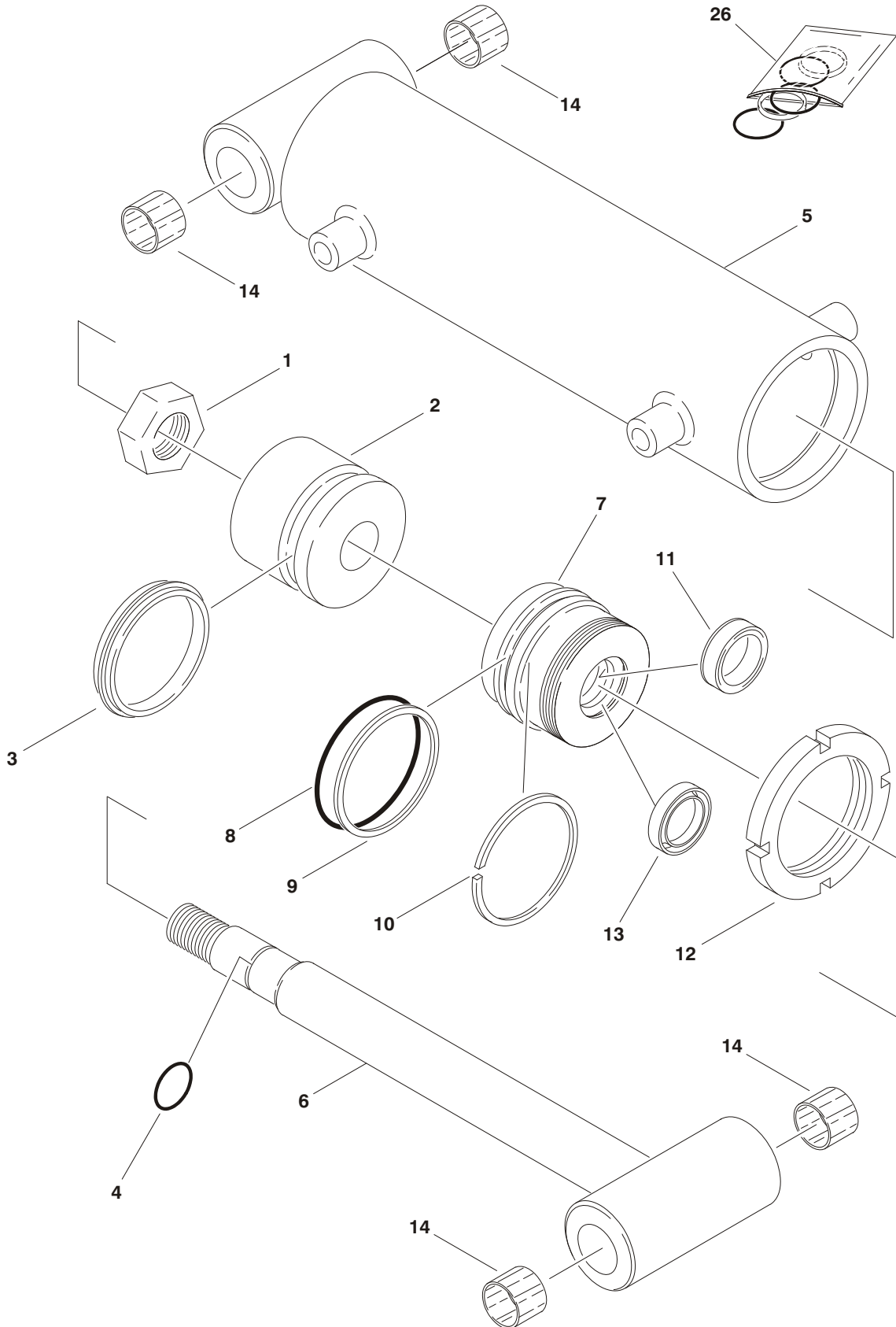
**S
E
C
T
I
O
N

5

C
Y
L
I
N
D
E
R**

SECTION 5 CYLINDER

FIGURE 5-9. STEER CYLINDER ASSEMBLIES



SECTION 5 CYLINDER

SECTION 5 CYLINDER

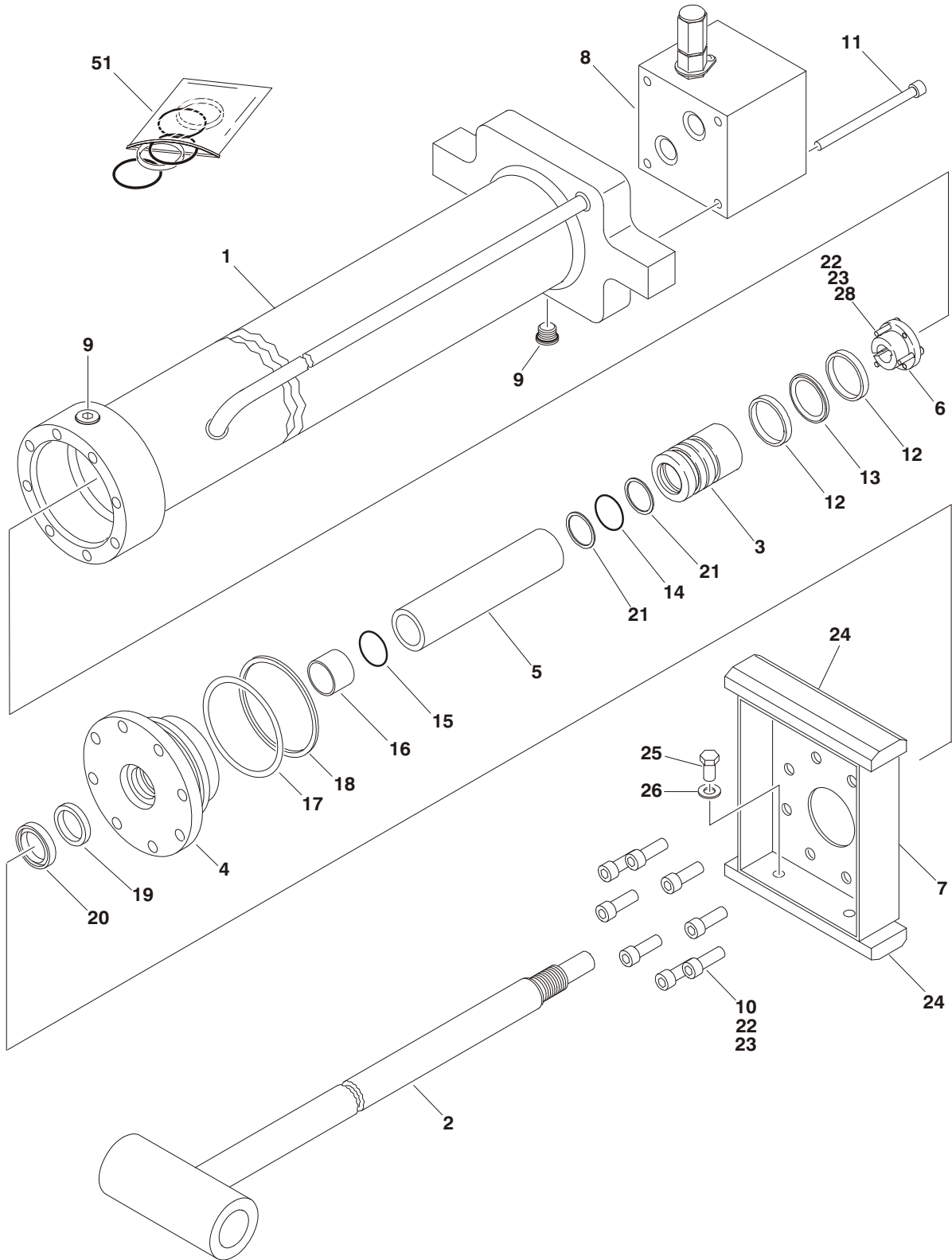
FIGURE 5-9. STEER CYLINDER ASSEMBLIES

FIG & ITEM #	PART NUMBER	DESCRIPTION	QTY.	REV.
		STEER CYLINDER ASSEMBLIES	Ref.	
	1683208	8FT/2.4M WIDTH MACHINES	Ref.	C
	1683304	7FT/2.1M WIDTH MACHINES	Ref.	A
1	7001626	Locknut	1	
2	7001627	Piston	1	
3	Use 7001625	Seal	1	
4	Use 7001625	O-Ring	1	
5	See Note	Barrel (Note: Not Available for Purchase)	1	
6		Rod Options:	1	
	7001633	8ft/2.4m Width Machines		
	7001628	7ft/2.1m Width Machines		
7	7001629	Guide	1	
8	Use 7001625	O-Ring	1	
9	Use 7001625	Ring, Back-Up	1	
10	Use 7001625	Ring, Retaining	1	
11	Use 7001625	Seal, Lip	1	
12	7001630	Nut, Spanner	1	
13	Use 7001625	Ring, Wiper	1	
14		Bushing Options:	4	
	0961977	8ft/2.4m Width Machines		
	0961890	7ft/2.1m Width Machines		
15 to 25	Not Used			
26	7001625	Seal Kit (Includes Items 3,4,8-11 and 13)	1	

SECTION 5 CYLINDER

SECTION 5 CYLINDER

FIGURE 5-10. TELESCOPE (MAIN BOOM) CYLINDER ASSEMBLIES



SECTION 5 CYLINDER

SECTION 5 CYLINDER

FIGURE 5-10. TELESCOPE (MAIN BOOM) CYLINDER ASSEMBLIES

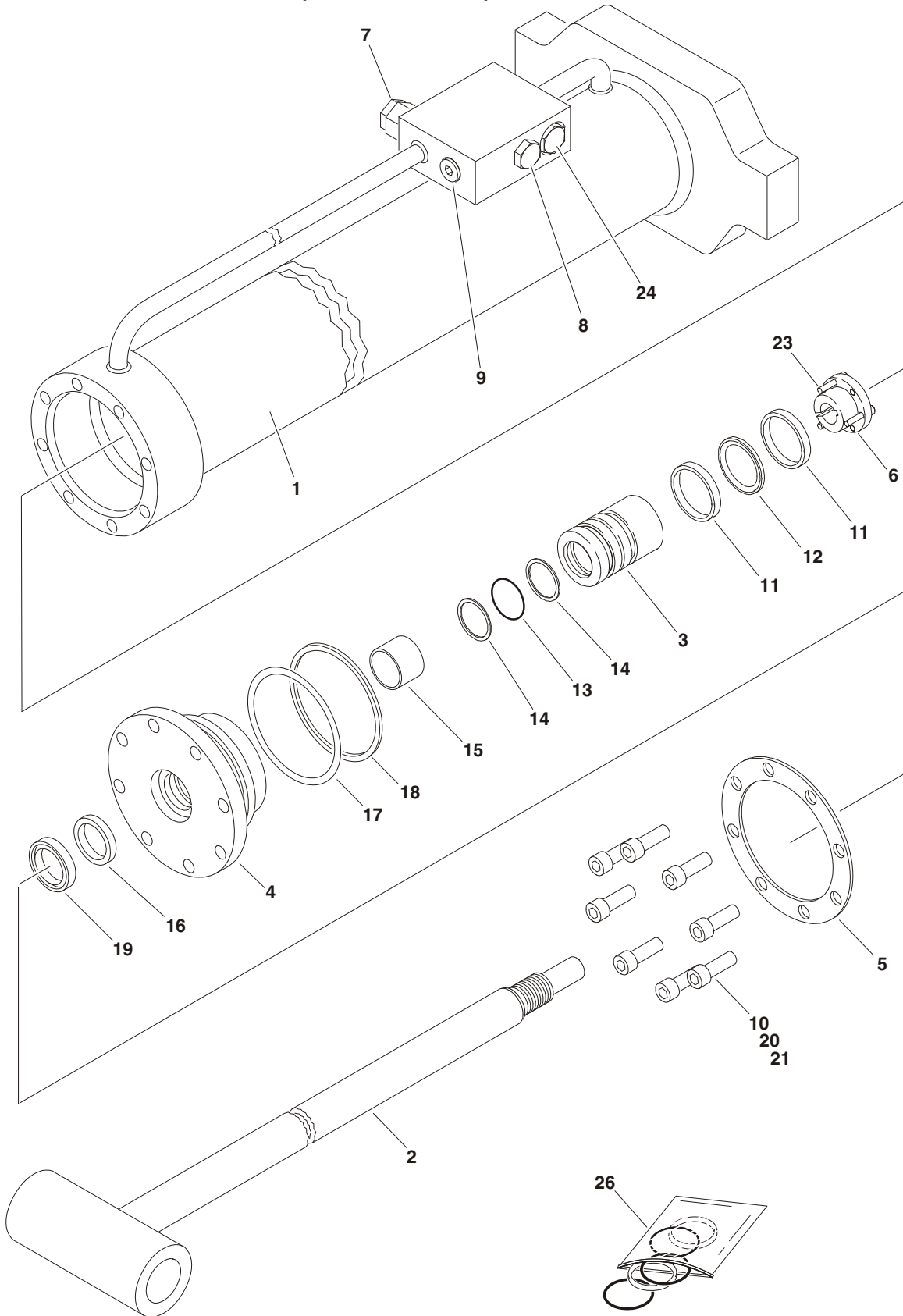
FIG & ITEM #	PART NUMBER	DESCRIPTION	QTY.	REV.
	1683307	TELESCOPE CYLINDER ASSEMBLY - 600A	Ref.	3/E
	1683317	TELESCOPE CYLINDER ASSEMBLY - 600AJ	Ref.	3/E
1		Barrel Options:	1	
	1683308	600A		
	1683318	600AJ		
2		Rod Options:	1	
	1683310	600A		
	1683320	600AJ		
3	3480212	Piston	1	
4	1683054	Head	1	
5	4566425	Spacer	1	
6	0961896	Bushing, Tapered	1	
7		Plate, Wear Pad Mounting Options:	1	
	3538771	600A		
	3538247	600AJ		
8	4640862	Valve Block Assembly (No Service Parts Available - Replace Complete Assembly)	1	
9	2220885	Plug, O-Ring	2	
10	3931516	Capscrew, Socket Head 5/16in-18NC x 1in	8	
11	3931448	Capscrew, Socket Head 1/4in-20NC x 3in	4	
12	Use 2901278	Ring, Wear	2	
13	Use 2901278	Seal	1	
14	Use 2901278	O-Ring	1	
15	Use 2901278	O-Ring	1	
16	Use 2901278	Ring, Wear	1	
17	Use 2901278	O-Ring	1	
18	Use 2901278	Ring, Back-Up	1	
19	Use 2901278	Seal, Rod	1	
20	Use 2901278	Wiper	1	
21	Use 2901278	Ring, Back-Up	2	
22	0100038	Primer, Locking	A/R	
23	0100011	Compound, Locking	A/R	
24	3340608	Pad, Wear	2	
25	0641604	Bolt 3/8in-16NC x 1/2in	4	
26	4751600	Flatwasher 3/8in Regular	4	
27	Not Used			
28	0630535	Bolt 1/4in-20NC x 1-1/8in	3	
29 to 50	Not Used			
51	2901278	Seal Kit (Includes Items 12-21)	1	

SECTION 5 CYLINDER

SECTION 5 CYLINDER

FIGURE 5-11. TELESCOPE (TOWER BOOM) CYLINDER ASSEMBLY

SECTION 5 CYLINDER



SECTION 5 CYLINDER

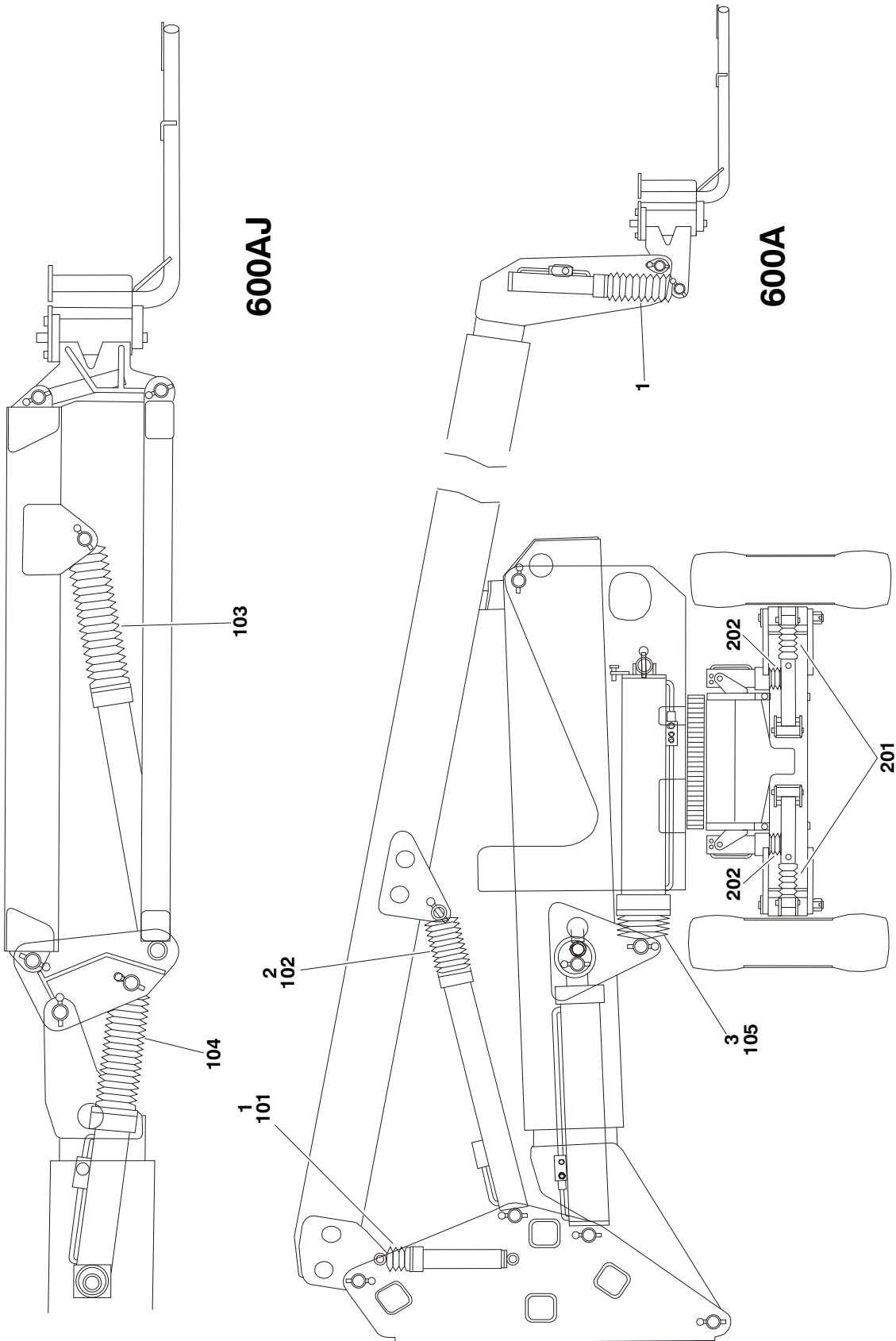
FIGURE 5-11. TELESCOPE (TOWER BOOM) CYLINDER ASSEMBLY

FIG & ITEM #	PART NUMBER	DESCRIPTION	QTY.	REV.
	1683312	TELESCOPE (TOWER BOOM) CYLINDER ASSEMBLY	Ref.	4/E
1	1683313	Barrel	1	
2	1683314	Rod	1	
3	3480212	Piston	1	
4	1683054	Head	1	
5	3760368	Ring, Washer	1	
6	0961896	Bushing, Tapered	1	
7	4640509	Cartridge, Valve	2	
	2900792	Seal Kit - 4640509 Valve	2	
8	4640647	Cartridge, Valve	1	
	2900770	Seal Kit - 4640647 Valve	1	
9	2220883	Plug, O-Ring	1	
10	3931516	Capscrew, Socket Head 5/16in-18NC x 1in	8	
11	Use 2901278	Ring, Wear	2	
12	Use 2901278	T-Seal	1	
13	Use 2901278	O-Ring	1	
14	Use 2901278	Ring, Back-Up	2	
15	Use 2901278	Ring, Wear	1	
16	Use 2901278	Seal, Rod	1	
17	Use 2901278	O-Ring	1	
18	Use 2901278	Ring, Back-Up	1	
19	Use 2901278	Wiper	1	
20	0100038	Primer, Locking	A/R	
21	0100011	Compound, Locking	A/R	
22	Not Used			
23	0630535	Bolt 1/4in-20NC x 1-1/8in	3	
24	4640509	Cartridge, Valve (Prior to S/N 0300028176) (Recommend using 4640999 as a replacement)	1	
	2900792	Seal Kit - 4640509 Valve	1	
	4640999	Cartridge, Valve (S/N 0300028176 to S/N 0300069000)	1	
	7011185	Seal Kit - 4640999 Valve	1	
25	Not Used			
26	2901278	Seal Kit (Includes Items 11-19)	1	

SECTION 5 CYLINDER

SECTION 5 CYLINDER

FIGURE 5-12. CYLINDER BELLOWS INSTALLATION (OPTIONAL)



SECTION 5 CYLINDER

FIGURE 5-12. CYLINDER BELLOWS INSTALLATION (OPTIONAL)

FIG & ITEM #	PART NUMBER	DESCRIPTION	QTY.	REV.
	0255927	CYLINDER BELLOWS INSTALLATION (600A)	Ref.	1
1	0460152	Bellows, Cylinder (Master and Platform Level Cylinders)	2	
2	0460155	Bellows, Cylinder (Main Lift Cylinder)	1	
3	0460154	Bellows, Cylinder (Tower Lift Cylinder)	1	
	0255928	CYLINDER BELLOWS INSTALLATION (600AJ)	Ref.	1
101	0460151	Bellows, Cylinder (Master and Platform Level Cylinders)	1	
102	0460155	Bellows, Cylinder (Main Lift Cylinder)	1	
103	0460161	Bellows, Cylinder (Articulating Jib Lift Cylinder)	1	
104	0460160	Bellows, Cylinder (Articulating Jib Level Cylinder)	1	
105	0460154	Bellows, Cylinder (Tower Lift Cylinder)	1	
	1282490	CYLINDER BELLOWS INSTALLATION (FRAME)	Ref.	-
	0255482	2WD/2WS and 4WD/2WS 8FT/2.4m Width Machines with Oscillating Axle	Ref.	-
	0255483	2WD/2WS and 4WD/2WS 8FT/2.4m Width Machines with Fixed Axle	Ref.	-
	0255486	2WD/4WS and 4WD/2WS 8FT/2.4m Width Machines with Oscillating Axle	Ref.	-
	0255487	2WD/4WS and 4WD/4WS 8FT/2.4m Width Machines with Fixed Axle	Ref.	-
	0255484	2WD/2WS 7FT/2.1m Width Machines with Oscillating Axle	Ref.	-
	0255485	2WD/2WS 7FT/2.1m Width Machines with Fixed Axle	Ref.	-
	0255488	2WD/4WS 7FT/2.1m Width Machines with Oscillating Axle	Ref.	-
	0255489	2WD/4WS 7FT/2.1m Width Machines with Fixed Axle	Ref.	-
201		Bellows, Cylinder (Steer Cylinder)	A/R	
	0460150	8FT/2.4m Width Machines		
	0460157	7FT/2.1m Width Machines		
202		Bellows, Cylinder (Oscillating Axle Cylinders)	A/R	
	0460159	With Oscillating Axle		
	Not Required	Without Oscillating Axle		

SECTION 5 CYLINDER

SECTION 5 CYLINDER

FIGURE 5-12. CYLINDER BELLOWS INSTALLATION (OPTIONAL) (CONTINUED)

FIG & ITEM #	PART NUMBER	DESCRIPTION	QTY.	REV.

**S
E
C
T
I
O
N

5

C
Y
L
I
N
D
E
R**

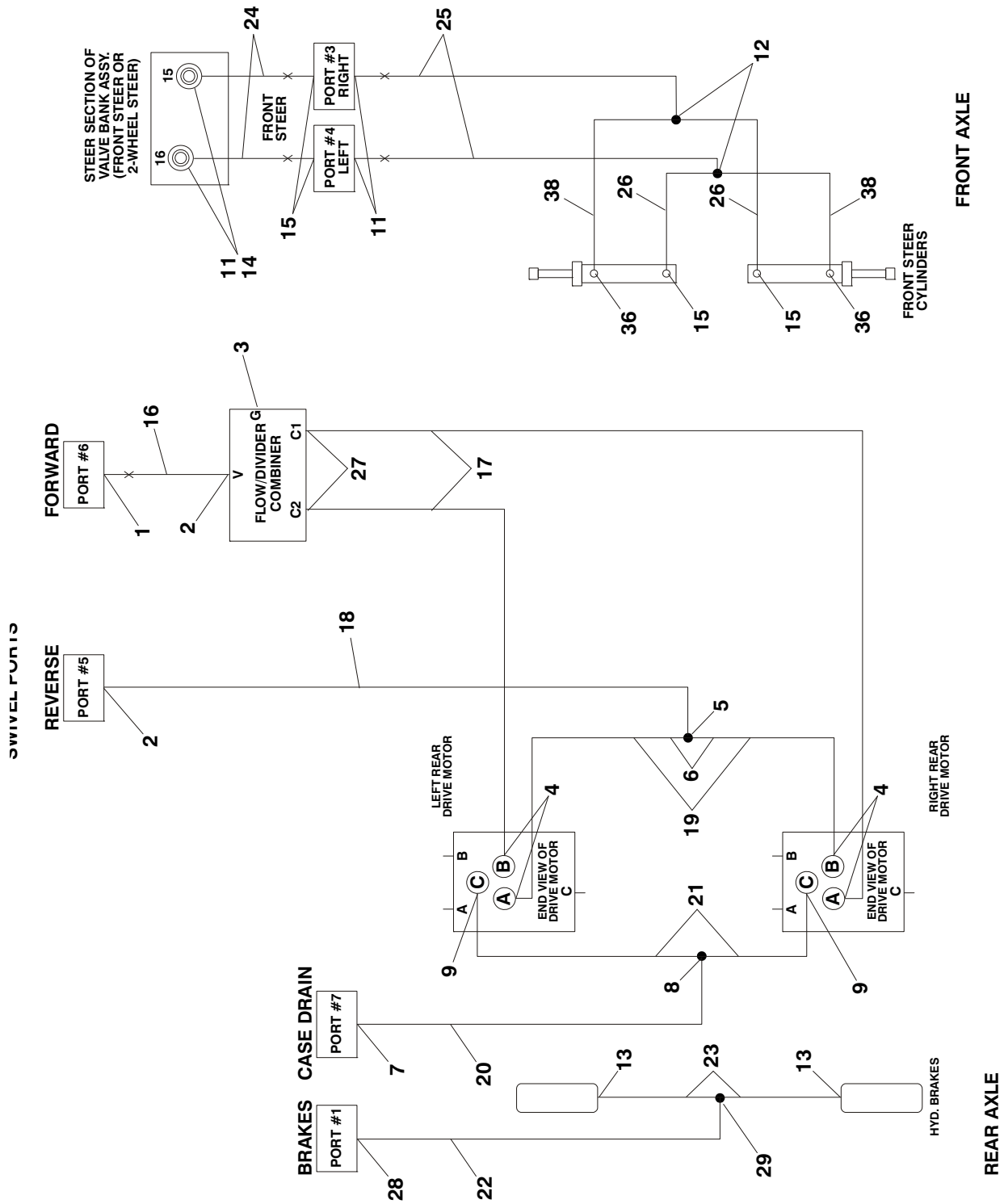
SECTION 6 HYDRAULIC

TABLE OF CONTENTS

FIGURE	DESCRIPTION	PAGE
6-1	DRIVE HYDRAULIC DIAGRAM - 2WD/2WS	6-2
6-2	DRIVE HYDRAULIC DIAGRAM - 4WD/2WS	6-4
6-3	HYDRAULIC DIAGRAM - OSCILLATING AXLE	6-8
6-4	HYDRAULIC DIAGRAM - STANDARD	6-10
6-5	HYDRAULIC DIAGRAM LIST	6-14

SECTION 6 HYDRAULIC

FIGURE 6-1.DRIVE HYDRAULIC DIAGRAM - 2WD/2WS



SECTION 6 HYDRAULIC

SECTION 6 HYDRAULIC

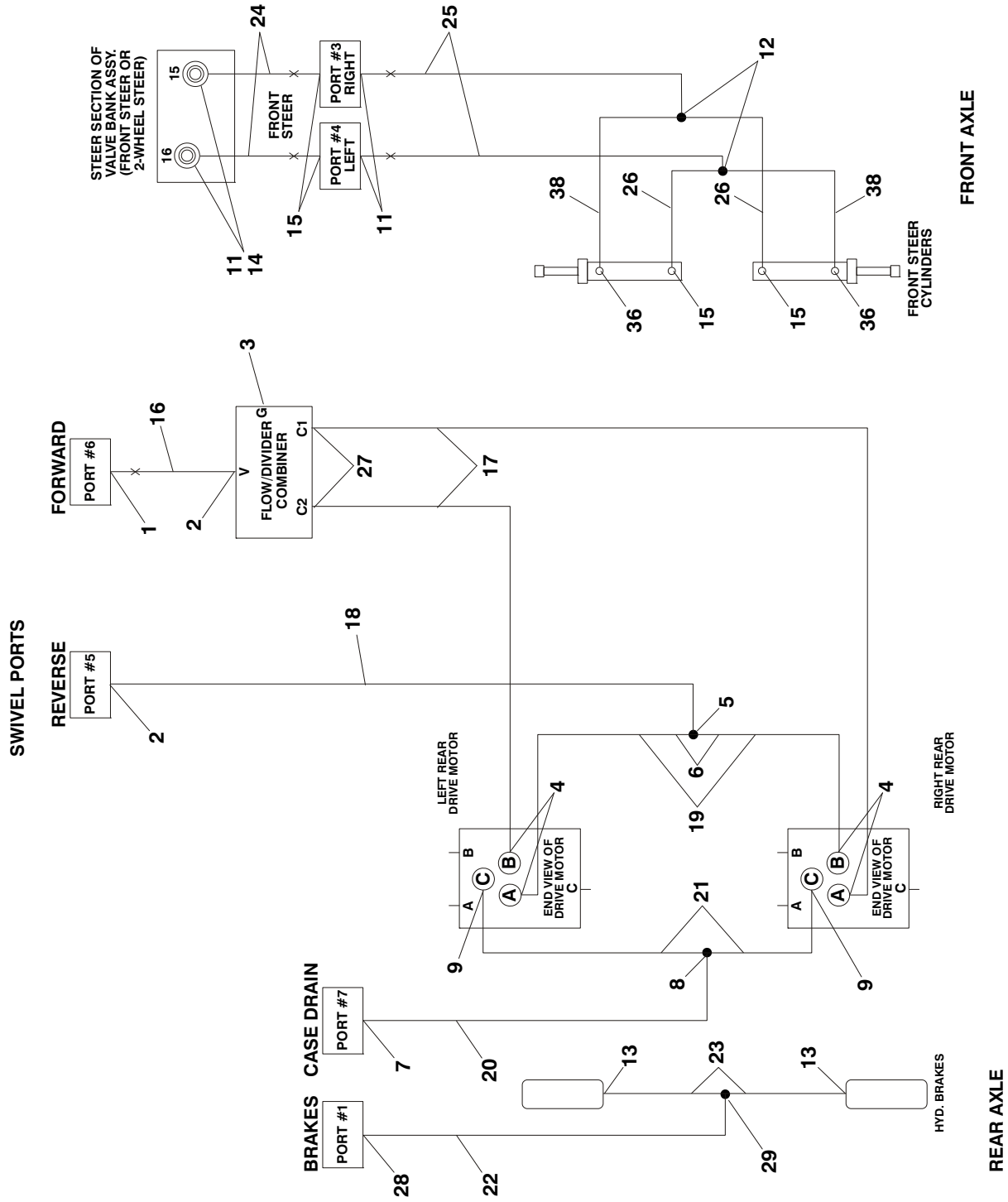
FIGURE 6-1. DRIVE HYDRAULIC DIAGRAM - 2WD/2WS

FIG & ITEM #	PART NUMBER	DESCRIPTION	QTY.	REV.
	2792193	DRIVE HYDRAULIC DIAGRAM - 2WD/2WS	Ref.	4
1	2220377	Fitting, Straight	1	
2	2220365	Fitting, 45°	2	
3	2220235	Fitting, Plug	1	
4	2220451	Fitting, Straight	4	
5	2220363	Fitting, Tee	1	
6	2220710	Fitting, Reducer	2	
7	2220375	Fitting, Straight	1	
8	2220362	Fitting, Tee	1	
9	2220373	Fitting, Straight	2	
10	Not Used			
11	2220371	Fitting, Straight	2	
12	2220490	Fitting, Tee	2	
13	2220466	Fitting, 90°	2	
14	2220507	Fitting, 90°	2	
15	2220473	Fitting, 90°	4	
16	2752354	Hose	1	
17	2752258	Hose	2	
18	2752324	Hose	1	
19	2752245	Hose	2	
20	2752813	Hose	1	
21	2752814	Hose	2	
22	2752602	Hose	1	
23	2752459	Hose	2	
24	2752620	Hose	2	
25	2752473	Hose	2	
26	2752966	Hose	2	
27	2220435	Fitting, Straight	2	
28	2220582	Fitting, Straight	1	
29	2220504	Fitting, Straight	1	
30 to 35	Not Used			
36	2220501	Fitting, 45°	2	
37	Not Used			
38	2752970	Hose	2	

SECTION 6 HYDRAULIC

SECTION 6 HYDRAULIC

FIGURE 6-2.DRIVE HYDRAULIC DIAGRAM - 4WD/2WS



SECTION 6 HYDRAULIC

FIGURE 6-2. DRIVE HYDRAULIC DIAGRAM - 4WD/2WS

FIG & ITEM #	PART NUMBER	DESCRIPTION	QTY.	REV.
	2792195	DRIVE HYDRAULIC DIAGRAM - 4WD/2WS	Ref.	8
1	2220377	Fitting, Straight	1	
2	2752349	Hose	1	
3	2220365	Fitting, 45°	1	
4	Not Used			
5	2220833	Fitting, Reducer	8	
6	2220500	Fitting, 45°	4	
7	2752398	Hose	2	
8	2220596	Fitting, 90°	4	
9	Not Used			
10	2220622	Fitting, Reducer (Prior to S/N 03000 58640)	4	
11	Not Used			
12	2751017	Hose (Prior to S/N 0300037775)	1	
	2751013	Hose (S/N 0300037775 to S/N 0300069000)	1	
13	2750770	Hose (Prior to S/N 0300037775)	1	
	2751013	Hose (S/N 03000 37775 to S/N 0300069000)	1	
14	2220466	Fitting, 90°	6	
15	2220490	Fitting, Tee	2	
16	2220671	Fitting, 90°	4	
17	2752807	Hose	2	
18	2220362	Fitting, Tee	2	
19	2220375	Fitting, Straight	2	
20	2752813	Hose	1	
21	2220473	Fitting, 90°	6	
22	2752602	Hose	1	
23	2752592	Hose	2	
24	2220371	Fitting, Straight	4	
25	2750756	Hose	1	
26	2220568	Fitting, 45°	2	
27	Not Used			
28	2752249	Hose	2	
29	2220235	Fitting, Plug	4	
30	Not Used			
31	2752807	Hose	1	
32	2752890	Hose	2	
33	2750790	Hose	1	
34	2752919	Hose	2	
35	2220415	Fitting, Straight	3	
36	2752899	Hose	2	
37	2752966	Hose	2	
38	2752593	Hose	1	
39	2752473	Hose	2	
40	2220909	Fitting, Office (.015)	1	
41	2220605	Fitting, Tee	1	
42	2752573	Hose	1	
43	2751427	Hose	2	

SECTION 6 HYDRAULIC

SECTION 6 HYDRAULIC

FIGURE 6-2. DRIVE HYDRAULIC DIAGRAM - 4WD/2WS (CONTINUED)

FIG & ITEM #	PART NUMBER	DESCRIPTION	QTY.	REV.
44	2751396	Hose	1	
45	4640906	Valve, 2-Speed Motor Control	1	
	7012974	Cartridge Without Coil	1	
	7012905	Seal Kit	1	
	7012944	Coil	1	
	Use 4640906	Cartridge, Check Valve (Note: Not Available for Purchase)	2	
	7012972	Seal Kit	2	
46	0641508	Bolt 5/16in-18NC x 1in	2	
47	4891500	Flatwasher 5/16in Hardened	2	
48	4711500	Flatwasher 5/16in Thin	2	
49	2220507	Fitting, 90°	2	
50	2752620	Hose	2	
51	Not Used			
52	2220914	Orifice (.043)	1	
53		Fitting Options:	2	
	2220550	Prior to S/N 0300058640		
	2220833	S/N 0300058640 to S/N 0300069000		
54		Fitting, Tee Options:	2	
	2220738	Prior to S/N 0300058640		
	2220602	S/N 0300058640 to S/N 0300069000		
55	2220435	Fitting, Straight	2	
56	2752398	Hose	2	
57	2752889	Hose	2	
58	2220582	Fitting, Straight	5	
59	2220504	Fitting, Tee	4	
60	2220466	Fitting, Straight	2	
61 to 66	Not Used			
67	2220800	Fitting, Straight	4	
68	2752912	Hose	2	
69	2220501	Fitting, 45°	2	
70	Not Used			
71	2752970	Hose	2	
72	Not Used			
73	2220502	Fitting, 45° (S/N 0300057328 to S/N 0300069000)	1	

SECTION 6 HYDRAULIC

SECTION 6 HYDRAULIC

FIGURE 6-2. DRIVE HYDRAULIC DIAGRAM - 4WD/2WS (CONTINUED)

FIG & ITEM #	PART NUMBER	DESCRIPTION	QTY.	REV.

**S
E
C
T
I
O
N

6

H
Y
D
R
A
U
L
I
C**

SECTION 6 HYDRAULIC

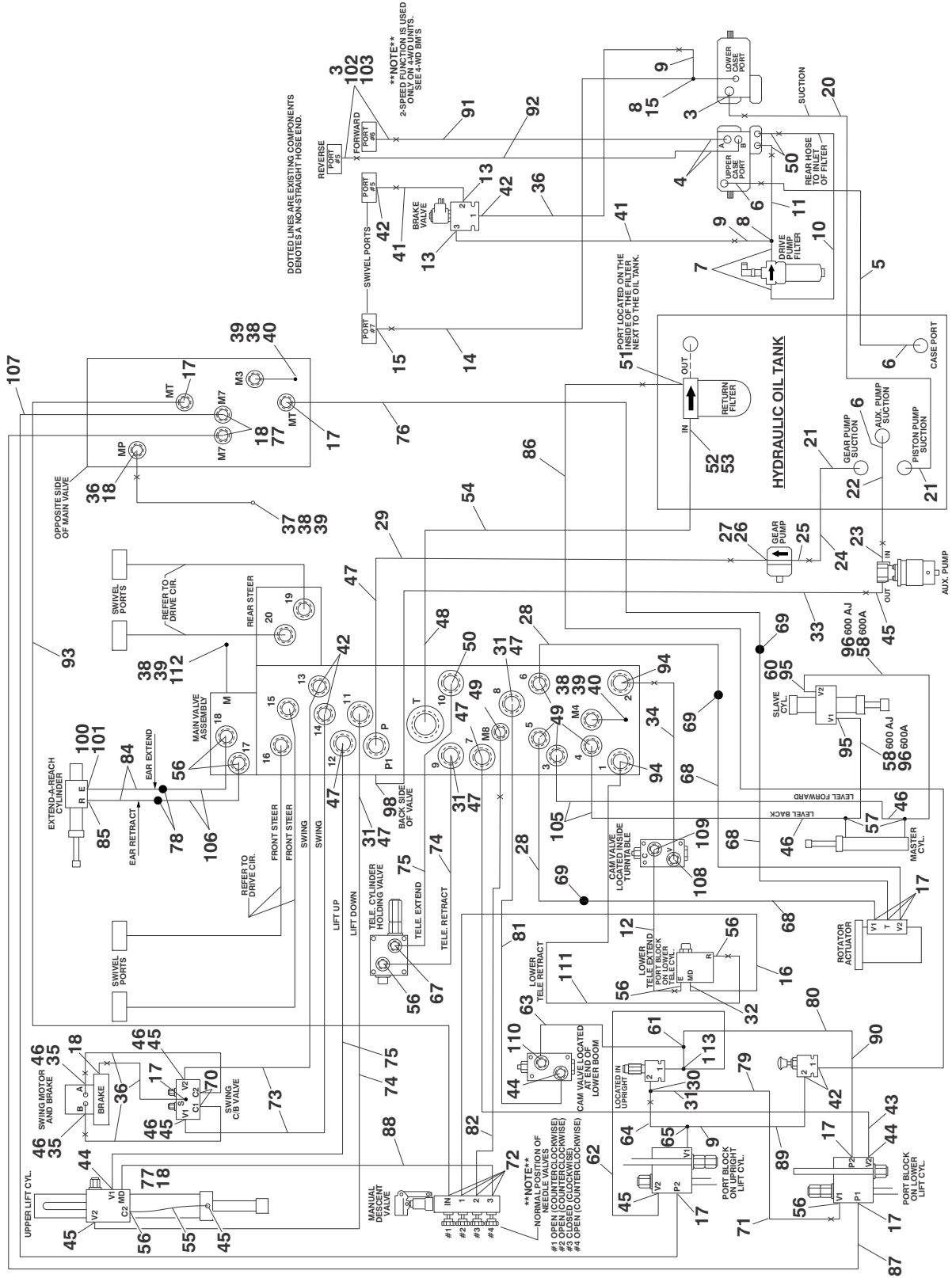
FIGURE 6-3. HYDRAULIC DIAGRAM - OSCILLATING AXLE

FIG & ITEM #	PART NUMBER	DESCRIPTION	QTY.	REV.
	2792230	HYDRAULIC DIAGRAM - OSCILLATING AXLE	Ref.	-
1	2220466	Fitting, 90°	1	
2	2751020	Hose	2	
3	4640939	Valve, Shuttle	1	
4	2220582	Fitting, Straight	6	
5	2751013	Hose	1	
6	2220415	Fitting, Straight	2	
7	2750900	Hose	1	
8	2220504	Fitting, Tee	1	
9	2752920	Hose	2	
10	2220603	Fitting, Straight	1	
11	2220635	Fitting, Tee	1	
12	2752824	Hose	1	
13	2220385	Fitting, Tee	1	
14	2220619	Fitting, Reducer	1	
15	2752823	Hose	1	
16	2220490	Fitting, Tee	1	
17	2752962	Hose	2	
18	2220371	Fitting, Straight	2	

SECTION 6 HYDRAULIC

SECTION 6 HYDRAULIC

FIGURE 6-4. HYDRAULIC DIAGRAM - STANDARD



SECTION 6 HYDRAULIC

FIGURE 6-4. HYDRAULIC DIAGRAM - STANDARD

FIG & ITEM #	PART NUMBER	DESCRIPTION	QTY.	REV.
	2792188	HYDRAULIC DIAGRAM - STANDARD (600A)	Ref.	18
	2792189	HYDRAULIC DIAGRAM - STANDARD (600AJ)	Ref.	19
1 to 2	Not Used			
3	2220377	Fitting, Straight	3	
4	2220646	Fitting, 90°	2	
5	2752655	Hose	1	
6	2220578	Fitting, 90°	3	
7	2220366	Fitting, 90°	2	
8	2220385	Fitting, Tee	2	
9	2220618	Fitting, Reducer	3	
10	2752500	Hose	1	
11	2752519	Hose	1	
12	2753132	Hose	1	
13	2220472	Fitting, 90°	2	
14	2752928	Hose	1	
15	2220375	Fitting, Straight	2	
16	2752591	Hose	1	
17	2220466	Fitting, 90°	8	
18	2220415	Fitting, Straight	5	
19	Not Used			
20	2752723	Hose	1	
21	2220379	Fitting, Straight	2	
22	2752656	Hose	1	
23	2220567	Fitting, 90°	1	
24	2752724	Hose	1	
25	2220376	Fitting, Straight	1	
26	2220810	Fitting, Reducer	1	
27	4640744	Valve, Check	1	
28	2752604	Hose (Note: Also Requires #69 & #68 for Complete Run Up Boom)	2	
29	2752929	Hose	1	
30	2220602	Fitting, Tee	2	
31	2220619	Fitting, Reducer	6	
32	2220416	Fitting, 90°	1	
33	2752635	Hose	1	
34	2753133	Hose	1	
35	2220497	Fitting, Straight	2	
36	2752573	Hose	5	
37	2220414	Fitting, Straight (600A - Qty.1 /600AJ - Qty.2) (Prior to S/N 0300058640)	A/R	
38	2220428	Fitting, Quick Coupling (600A - Qty.3 /600AJ - Qty.4)	A/R	
39	2220429	Cap, Dust (600A - Qty.3 /600AJ - Qty.4)	A/R	
40	2220873	Fitting	2	
41	2752600	Hose	2	
42	2220582	Fitting, Straight	6	
43	2752506	Hose (600A)	1	
	2752516	Hose (600AJ)	1	

SECTION 6 HYDRAULIC

SECTION 6 HYDRAULIC

FIGURE 6-4. HYDRAULIC DIAGRAM - STANDARD (CONTINUED)

FIG & ITEM #	PART NUMBER	DESCRIPTION	QTY.	REV.
44	2220596	Fitting, 90°	3	
45	2220628	Fitting, 90°	6	
46	2220609	Fitting, Reducer	7	
47	2220381	Fitting, Long Straight (600A - Qty.5 /600AJ - Qty.6)	A/R	
48	2220974	Fitting, Long Straight	1	
49	2220923	Fitting, Long Straight	5	
50	2220374	Fitting	3	
51	2220574	Fitting, Straight	1	
52	2220921	Fitting, Reducer	1	
53	2220498	Fitting, 45°	1	
54	2752783	Hose	1	
55	2752469	Hose	1	
56	2220372	Fitting, Straight (600A - Qty.5 /600AJ - Qty.7)	A/R	
57	2220899	Fitting, Tee	2	
58	2752636	Hose (600A)	1	
	2752468	Hose (600AJ)	1	
59	2220371	Fitting, Straight (600A Only)	1	
60	2220657	Fitting, 45° (600A Only)	1	
61		Fitting, Tee Options:	1	
	2220635	Prior to S/N 0300068131		
	2221065	S/N 0300068131 to S/N 0300069000		
62		Hose Options:	1	
	2752466	Prior to S/N 0300068131		
	2752462	S/N 0300068131 to S/N 0300069000		
63	2753134	Hose	1	
63	2753134	Hose	1	
64	2752497	Hose	1	
65	2220999	Fitting, Tee	1	
66	Not Used			
67	2220500	Fitting, 45°	1	
68	2752601	Hose (Note: Also Requires #69 & #28 or #76 for Complete Run Up Boom)	3	
69	2220510	Fitting, Coupling	3	
70	2220468	Fitting, Straight	2	
71	2753052	Hose	1	
72	2220502	Fitting, 45°	4	
73	2752603	Hose	2	
74	2753055	Hose	1	
75	2752939	Hose	2	
76	2752579	Hose (Note: Also Requires #69 & #68 for Complete Run Up Boom)	1	
77	2220654	Fitting, 90°	4	
78	2220511	Fitting, Coupling (600AJ Only)	1	
79	2753056	Hose	1	
80	2752991	Hose	1	
81	2753135	Hose	1	
82	2752434	Hose	1	
83	Not Used			

SECTION 6 HYDRAULIC

SECTION 6 HYDRAULIC

FIGURE 6-4. HYDRAULIC DIAGRAM - STANDARD (CONTINUED)

FIG & ITEM #	PART NUMBER	DESCRIPTION	QTY.	REV.
84	2753047	Hose (600AJ Only) (Note: Also Requires #78 & #106 for Complete Run Up Boom)	2	
85	2220473	Fitting, 90° (600AJ Only)	1	
86	2752453	Hose	1	
87	2752593	Hose	1	
88	2752988	Hose	1	
89	2752990	Hose	1	
90	2752985	Hose	1	
91	2752343	Hose	1	
92		Hose Options:	1	
	2752356	Prior to S/N 0300064394		
	2752341	S/N 0300064394 to S/N 0300069000		
93	2752592	Hose	1	
94	2220998	Fitting, Straight	2	
95	2220603	Fitting, Straight	2	
96	2753046	Hose (600A)	1	
	2752650	Hose (600AJ)	1	
97	2752444	Hose (600AJ Only) (Prior to S/N 0300052685)	1	
98	2220473	Fitting, 90°	1	
99	Not Used			
100	2180724	Fitting, Modified 90° (600AJ Only)	1	
101	2180380	Plug, Orifice.06 (600AJ Only)	1	
102	0100011	Compound, Locking	A/R	
103	0100038	Primer, Locking	A/R	
104	1703534	Decal, Hose Tags (Not Shown)	2	
105	2752989	Hose	2	
106	2752618	Hose (600AJ Only) (Note: Also Requires #78 & #84 for Complete Run Up Boom)	2	
107	2752987	Hose	1	
108	2220373	Fitting, Straight	1	
109	2220947	Fitting, Straight	1	
110	2221036	Fitting, O-Ring	1	
111	2752484	Hose	1	
112	2220873	Fitting, Nipple (S/N 0300058640 to S/N 0300069000)	1	
113	2221053	Fitting, Tee (S/N 0300068131 to S/N 0300069000)	1	

SECTION 6 HYDRAULIC

SECTION 6 HYDRAULIC

FIGURE 6-5. HYDRAULIC DIAGRAM LIST

		Note: Diagrams with asterisk (*) are shown in the preceding pages. Information on diagrams not shown is available from JLG Service/Parts Departments.	Ref.
	1282396	Drive Hydraulic Diagrams	Ref.
		600A and 600AJ With 8ft/2.4m Width Frame:	
	2792193*	2WD/2WS	Ref.
	2792194	2WD/4WS	Ref.
	2792195*	4WD/2WS	Ref.
	2792196	4WD/4WS	Ref.
		600A and 600AJ With 7ft/2.1m Width Frame:	
	2792191	2WD/2WS	Ref.
	2792192	2WD/2WS	Ref.
	2792230*	Oscillating Axle Hydraulic Diagram	Ref.
	2792188/1282396*	Standard Hydraulic Diagram - 600A	Ref.
	2792189/1282396*	Standard Hydraulic Diagram - 600AJ	Ref.
	2792177	Standard Hydraulic Schematic	Ref.
	2792405	Tool Circuit Hydraulic Diagram	Ref.
	2792315	Tow Hydraulic Diagram	Ref.

SECTION 7 ELECTRICAL

TABLE OF CONTENTS		
FIGURE	DESCRIPTION	PAGE
7-1	ELECTRICAL DIAGRAM LIST	7-2
7-2	ELECTRICAL SCHEMATIC - CE SPEC MACHINES PRIOR TO S/N 0300035129 WITH COLORED WIRING	7-6
7-3	ELECTRICAL SCHEMATIC - CE SPEC MACHINES S/N 0300035129 TO S/N 0300069000 WITH NUMBERED COLORED WIRING	7-10
7-4	ELECTRICAL SCHEMATIC - AUSTRALIAN MACHINES PRIOR TO S/N 0300035129 WITH COLORED WIRING	7-14
7-5	ELECTRICAL SCHEMATIC - AUSTRALIAN MACHINES S/N 0300035129 TO S/N 0300069000 WITH NUMBERED COLORED WIRING	7-18
7-6	ELECTRICAL SCHEMATIC - DIESEL/GAS MACHINES (WITH ADE SYSTEM) (S/N 0300064249 TO S/N 0300069000)	7-22
7-7	HARNESS COMPONENTS INSTALLATION (PRIOR TO S/N 0300064249)	7-26
7-8	HARNESS COMPONENTS INSTALLATION - DIESEL/GAS MACHINES (WITH ADE SYSTEM) (S/N 0300064249 TO S/N 0300064270)	7-36
7-9	HARNESS COMPONENTS INSTALLATION - DIESEL/GAS MACHINES (WITH ADE SYSTEM) (S/N 0300064270 TO S/N 0300069000)	7-44

SECTION 7 ELECTRICAL

SECTION 7 ELECTRICAL

FIGURE 7-1.ELECTRICAL DIAGRAM LIST

FIG & ITEM #	PART NUMBER	DESCRIPTION	QTY.	REV.
		Note: Diagrams with asterisks (*) are not shown in the following pages. Diagrams not shown are available from the JLG Service Department.	Ref.	
		Note: Numbered Wiring Starts with S/N 0300035129	Ref.	
		ALARM ELECTRICAL DIAGRAMS	Ref.	
	4932783/1282474	Prior to S/N 0300035129	Ref.	-/A
	4932903/1282685	S/N 0300035129 to S/N 0300036477 - Motion	Ref.	2/D
	4933026/1282937	S/N 0300036477 to S/N 0300069000 - Motion	Ref.	1/A
	4932902/1282685	S/N 0300035129 to S/N 0300036477 - Travel	Ref.	2/D
	4933025/1282937	S/N 0300036477 to S/N 0300069000 - Travel	Ref.	1/A
	0259233/0271474	BPE LOAD SENSING DEVICE ELECTRICAL DIAGRAM	Ref.	C/B
	4922304	Harness, Wiring (Installation 0259233)	1	
	4922616	Harness, Wiring (Lift Down) (Installation 0271474)	1	
	1282571	COLD WEATHER START ELECTRICAL DIAGRAM (DEUTZ)	Ref.	F
		DRIVE CUT-OUT ELECTRICAL DIAGRAMS	Ref.	
	4932896/1282672	Above Elevation Tilt or Beyond Transport (Prior to S/N 0300035129)	Ref.	1/-
	4932990/1282828	Above Elevation Tilt or Beyond Transport (S/N 0300035129 to S/N 0300069000)	Ref.	2/B
	4932894/1282672	Above Elevation Tilt (Prior to S/N 0300035129)	Ref.	1/-
	4932993/1282828	Above Elevation Tilt (S/N 0300035129 to S/N 0300069000)	Ref.	2/B
	4932894/1282672	8 Meter - 600A (Prior to S/N 0300035129)	Ref.	1/-
	4932992/1282828	8 Meter - 600A (S/N 0300035129 to S/N 0300069000)	Ref.	2/B
	0256346/1282672	8 Meter - 600AJ (Prior to S/N 0300035129)	Ref.	1/-
	4932992/1282828	8 Meter - 600AJ (S/N 0300035129 to S/N 0300069000)	Ref.	2/B
	3640493	Rail, Mounting	1	
	4460607	Stop, Terminal	2	
	4120013	Socket, Relay	1	
	3740058	Relay 4PDT	1	
	2740063	Spring, Relay	1	
		ENGINE LOW OIL SHUTDOWN ELECTRICAL DIAGRAMS	Ref.	
	4932977	Prior to S/N 0300035129	Ref.	1/A
	4932986	S/N 0300035129 to S/N 0300069000	Ref.	2/B

SECTION 7 ELECTRICAL

SECTION 7 ELECTRICAL

FIGURE 7-1.ELECTRICAL DIAGRAM LIST (Continued)

FIG & ITEM #	PART NUMBER	DESCRIPTION	QTY.	REV.
		GENERATOR ELECTRICAL DIAGRAMS	Ref.	
	4932828	110V Prior to S/N 0300035129	Ref.	2/C
	4932915	110V S/N 0300035129 to S/N 0300064249	Ref.	2/C
	4933158	110Volt (ADE SYSTEM) (S/N 0300064249 TO S/N 0300069000)	Ref.	1/A
	4932940	220V Prior to S/N 0300035129	Ref.	-/-
	4932989	220V S/N 0300035129 to S/N 0300064249	Ref.	1/B
	4933162	220 Volt (ADE SYSTEM) (S/N 0300064249 TO S/N 0300069000)	Ref.	1/A
		LIGHTS ELECTRICAL DIAGRAMS:	Ref.	
	4932839	Headlight/Taillight (Prior to S/N 0300035129)	Ref.	1/A
	4932917	Headlight/Taillight (S/N 0300035129 to S/N 0300064249)	Ref.	3/D
	4922095	Harness (Located in Platform Console Box)	1	
	3740049	Relay	1	
	4933219	Headlight/Taillight (ADE System) (S/N 0300064249 to S/N 0300069000)	Ref.	1/A
	4922484	Harness (Located in Ground Console Box)	1	
	3740049	Relay	1	
	4933006	LOAD SENSING SYSTEM ELECTRICAL DIAGRAM	Ref.	1
		OIL COOLER ELECTRICAL DIAGRAMS	Ref.	
	0256765/1282665	Deutz Machines	Ref.	3/C
	0270723	PLATFORM BEACON ELECTRICAL DIAGRAM	Ref.	1/A
		PLATFORM ELECTRICAL DIAGRAMS	Ref.	
	4932849	CE & EN280 Specs (Prior to S/N 03000351129)	Ref.	5/H
	4932974	CE & EN280 Specs (S/N 03000351129 to S/N 0300064249)	Ref.	5/E
	4932848	Australian Spec (Prior to S/N 0300029430)	Ref.	1/E
	4932914	Australian Spec (S/N 0300029430 to S/N 0300035129)	Ref.	5/D
	4932905	Australian Spec (S/N 0300035129 to S/N 0300064249)	Ref.	7/E
	4922509	With ADE System (S/N 0300064249 to S/N 0300064270)	Ref.	3/D
	4922639	With ADE System (S/N 0300064270 to S/N 0300069000)	Ref.	C

SECTION 7 ELECTRICAL

SECTION 7 ELECTRICAL

FIGURE 7-1.ELECTRICAL DIAGRAM LIST (Continued)

FIG & ITEM #	PART NUMBER	DESCRIPTION	QTY.	REV.
		PLATFORM SOFT TOUCH SYSTEM ELECTRICAL DIAGRAMS	Ref.	
	4922939	Prior to S/N 0300035129	Ref.	-
	4932980	S/N 0300035129 to S/N 0300064249	Ref.	2/C
	3740057	Relay (Located in Platform Console Box)	1	
	4120012	Socket, Relay (Located in Platform Console Box)	1	
	3740066	Spring, Relay (Located in Platform Console Box)	1	
	3740049	Relay (Located in Platform Console Box)	1	
	4460600	Block, Terminal (Located in Platform Console Box)	1	
	4933218	PLATFORM SOFT TOUCH SYSTEM ELECTRICAL DIAGRAM (WITH ADE SYSTEM) (S/N 0300064249 TO S/N 0300069000)	Ref.	1/A
		PLATFORM WORKLIGHTS ELECTRICAL DIAGRAMS	Ref.	
	0255392	Prior to S/N 0300035129	Ref.	2/B
	0258048	S/N 0300035129 to S/N 0300064249	Ref.	2/E
	0270814	With ADE System (S/N 0300064249 to S/N 0300069000)	Ref.	2/C
	4932971	POWER TOOL ELECTRICAL DIAGRAM	Ref.	2/A
		STANDARD ELECTRICAL DIAGRAMS	Ref.	
	4932850	Prior to S/N 0300035129	Ref.	5/G
	4932976	S/N 0300035129 to S/N 0300064249	Ref.	5/E
	4933185	Deutz Engine (With ADE System) (S/N 0300064249 to S/N 0300069000)	Ref.	3/C
		STANDARD ELECTRICAL SCHEMATICS	Ref.	
	1870044*	CE Spec (Prior to S/N 0300035129)	Ref.	E
	1870059*	CE Spec (S/N 0300035129 to S/N 0300069000)	Ref.	E
	1870050*	Australian Spec (Prior to S/N 0300035129)	Ref.	B
	1870071*	Australian Spec (S/N 0300035129 to S/N 0300069000)	Ref.	C
	1870132*	Deutz/Ford EFI (With ADE System) (S/N 0300064249 to S/N 0300069000)	Ref.	B
		STROBE LIGHT ELECTRICAL DIAGRAMS	Ref.	
	4932812/1282474	Prior to S/N 0300035129	Ref.	-/-
	4932904/1282685	S/N 0300035129 to S/N 0300036477	Ref.	2/D
	4933027/1282937	S/N 0300036477 to S/N 0300064249	Ref.	1/A
	0255919	With ADE System (S/N 0300064249 to S/N 0300069000)	Ref.	-/-

SECTION 7 ELECTRICAL

SECTION 7 ELECTRICAL

FIGURE 7-1.ELECTRICAL DIAGRAM LIST (Continued)

FIG & ITEM #	PART NUMBER	DESCRIPTION	QTY.	REV.

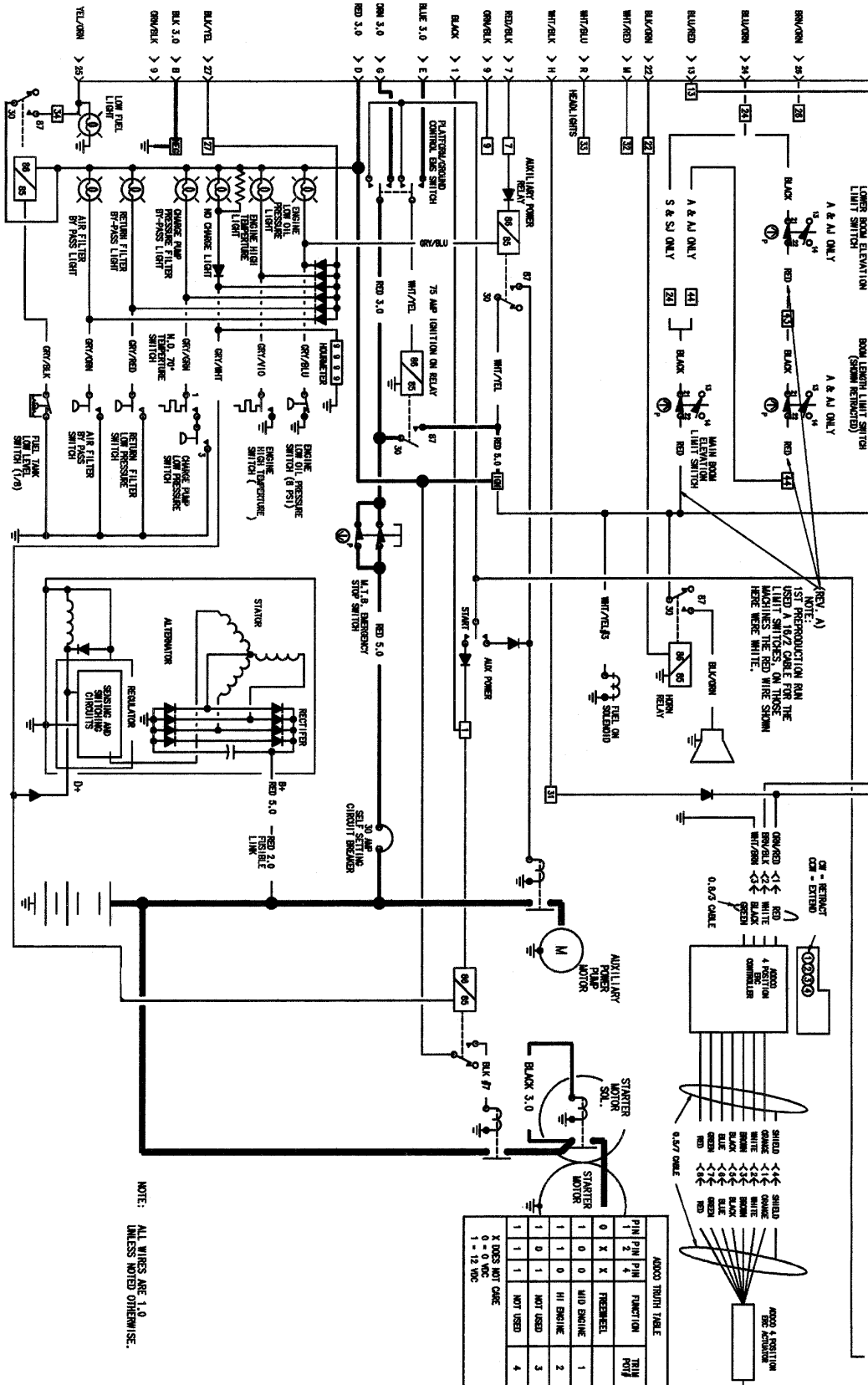
**S
E
C
T
I
O
N

7

E
L
E
C
T
R
I
C
A
L**

SECTION 7 ELECTRICAL

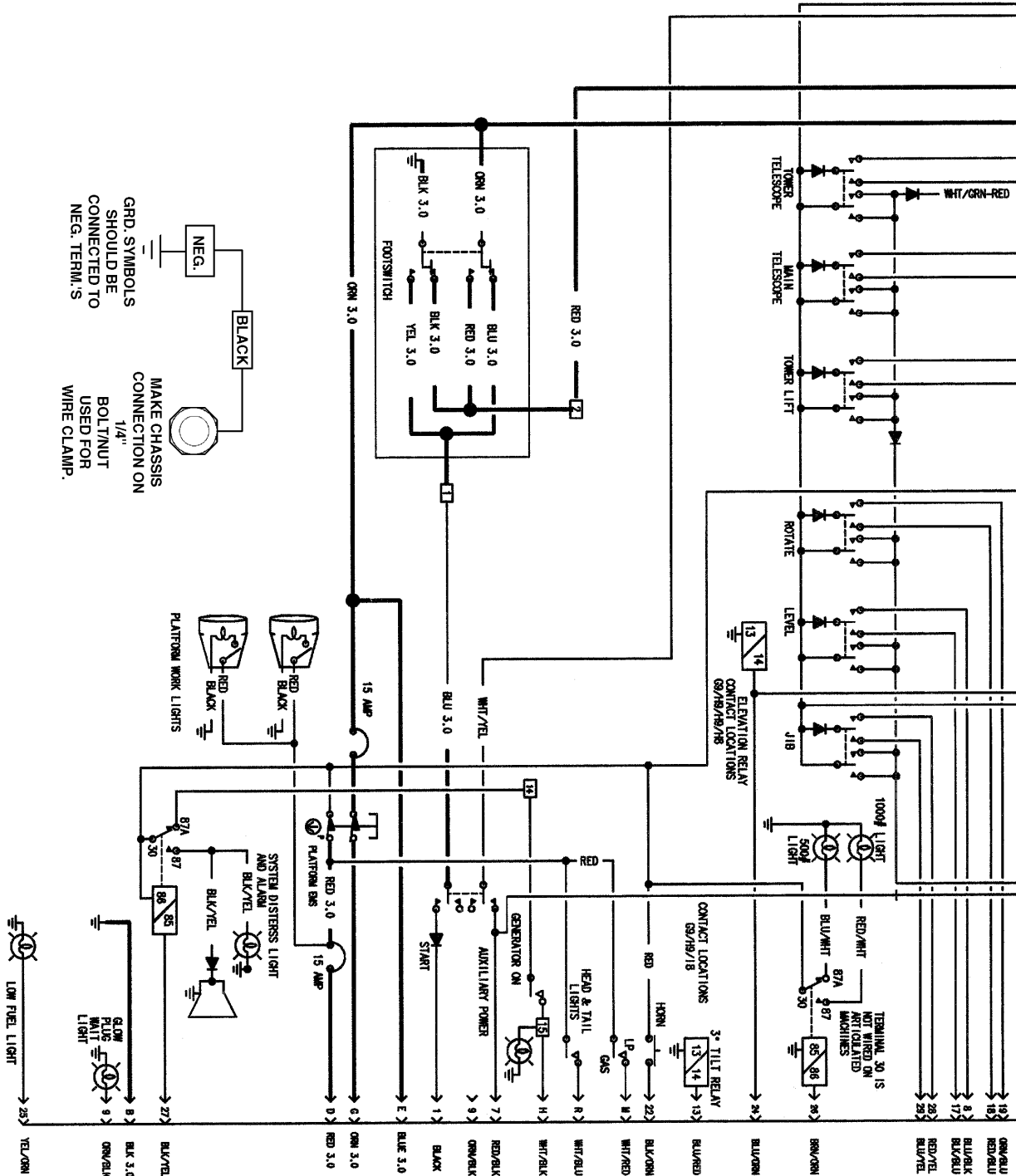
FIGURE 7-2. ELECTRICAL SCHEMATIC - CE SPEC MACHINES PRIOR TO S/N 0300035129 WITH COLORED WIRING



SECTION 7 ELECTRICAL

SECTION 7 ELECTRICAL

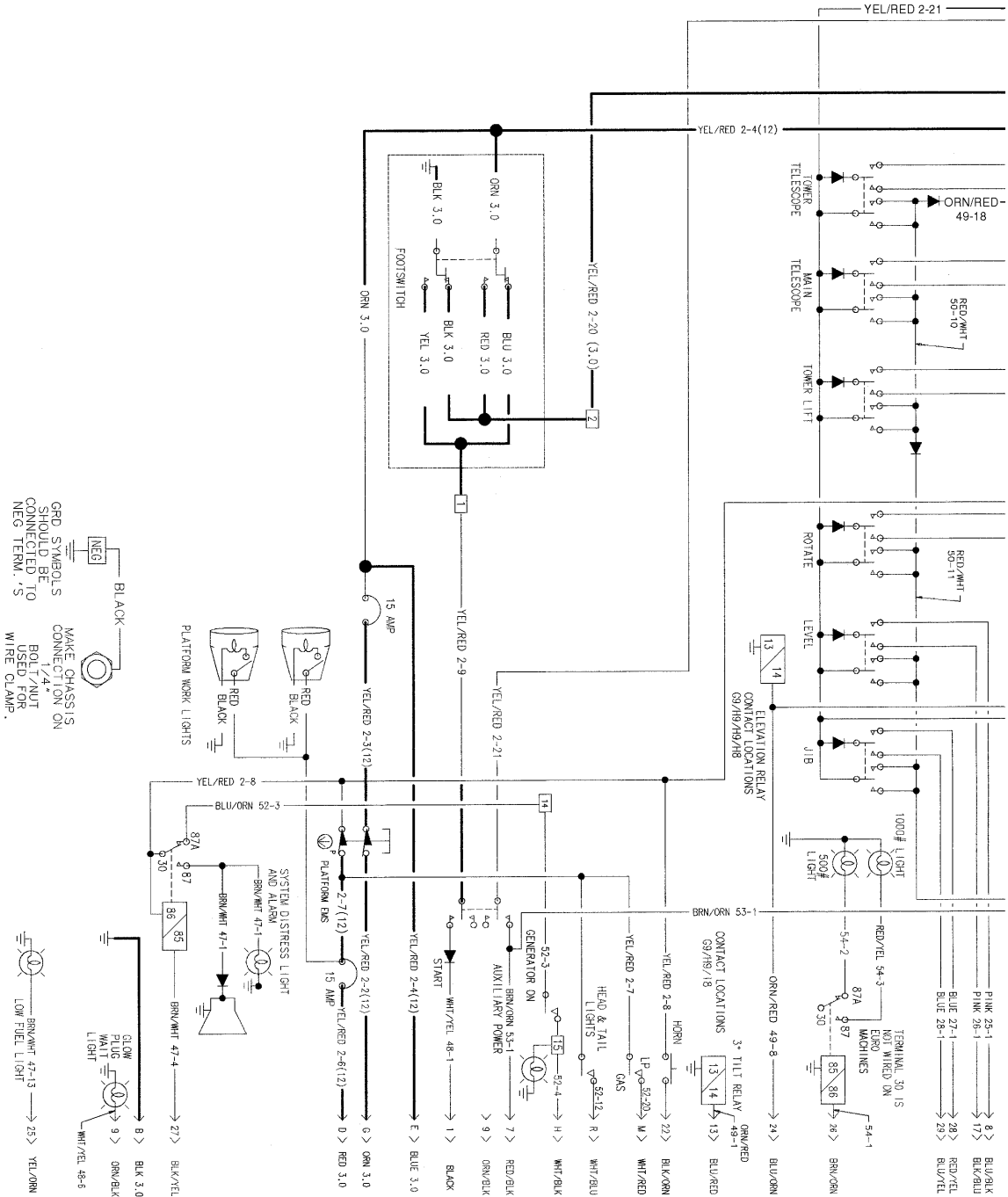
FIGURE 7-2. ELECTRICAL SCHEMATIC - CE SPEC MACHINES PRIOR TO S/N 0300035129 COLORED WIRING



SECTION 7 ELECTRICAL

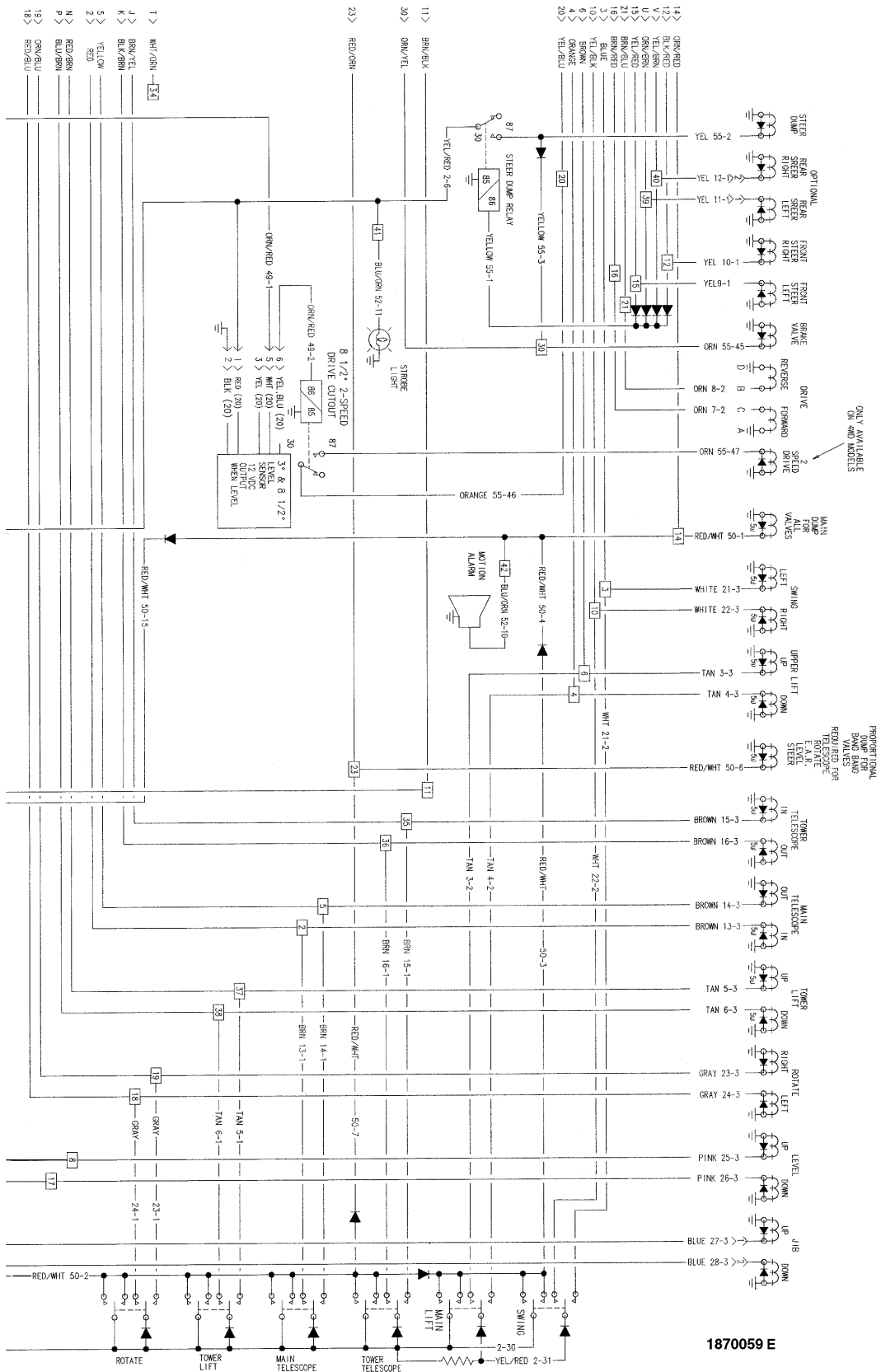
SECTION 7 ELECTRICAL

FIGURE 7-3. ELECTRICAL SCHEMATIC - CE SPEC MACHINES S/N 0300035129 TO S/N 0300069000 WITH NUMBERED COLORED WIRING



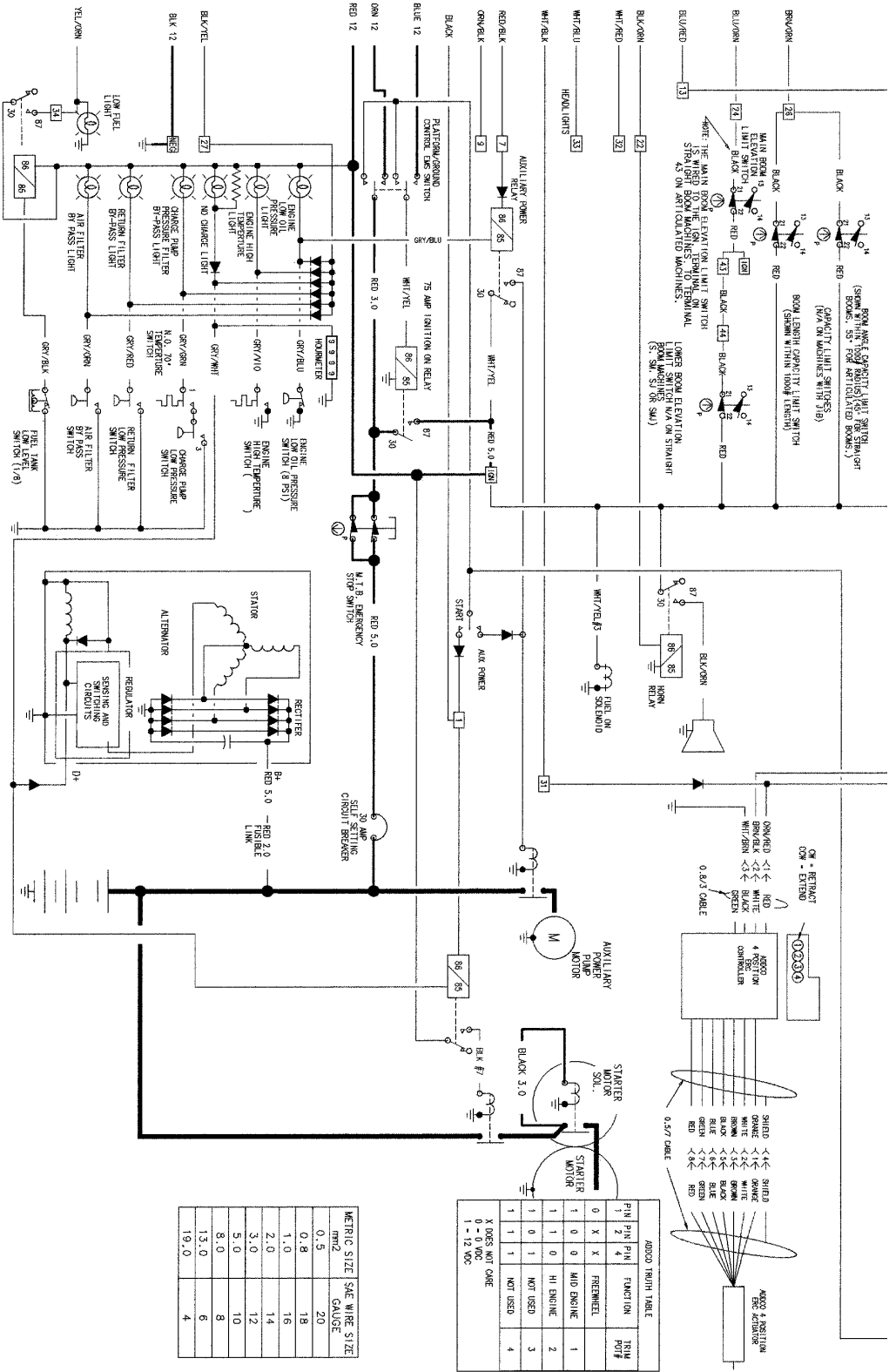
SECTION 7 ELECTRICAL

SECTION 7 ELECTRICAL



SECTION 7 ELECTRICAL

FIGURE 7-4. ELECTRICAL SCHEMATIC - AUSTRALIAN MACHINES PRIOR TO S/N 0300035129 WITH COLORED WIRING



ABDOD TROTH TABLE

FIN	PA1	PA4	FUNCTION	TRAY
1	0	X	FRESHWATER	1
1	0	0	MID ENGINE	1
1	1	0	HI ENGINE	2
1	0	1	NOT USED	3
1	1	1	NOT USED	4

USES NOT CABLE
0 - 4 WIRE
1 - 12 WIRE

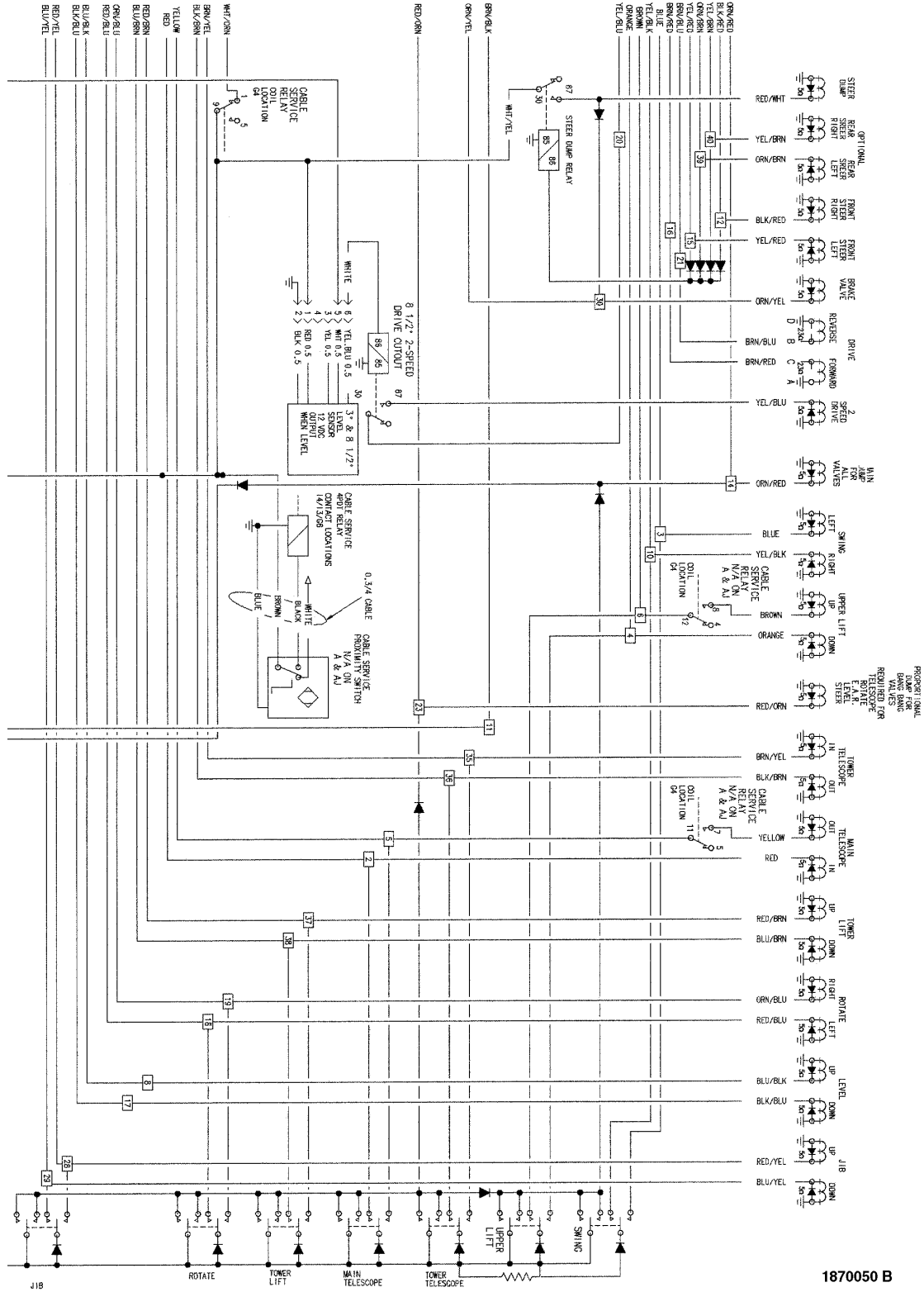
METRIC SIZE SAE WIRE SIZE

mm ²	GAUGE
0.5	20
0.8	18
1.0	16
2.0	14
3.0	12
5.0	10
8.0	8
13.0	6
19.0	4

SECTION 7 ELECTRICAL

SECTION 7 ELECTRICAL

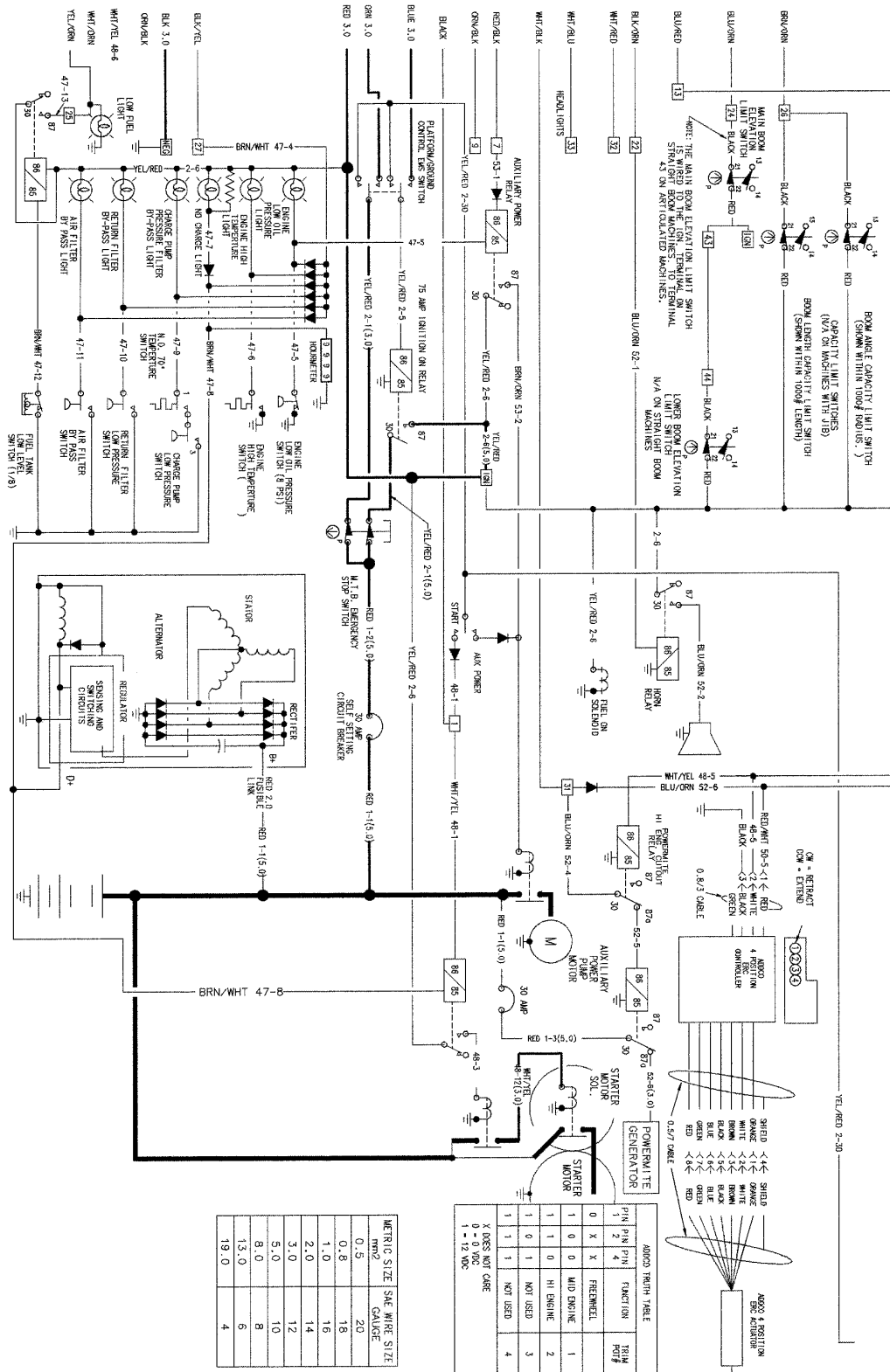
SECTION 7 ELECTRICAL



1870050 B

SECTION 7 ELECTRICAL

FIGURE 7-5. ELECTRICAL SCHEMATIC - AUSTRALIAN MACHINES S/N 0300035129 TO S/N 0300069000 WITH NUMBERED COLORED WIRING



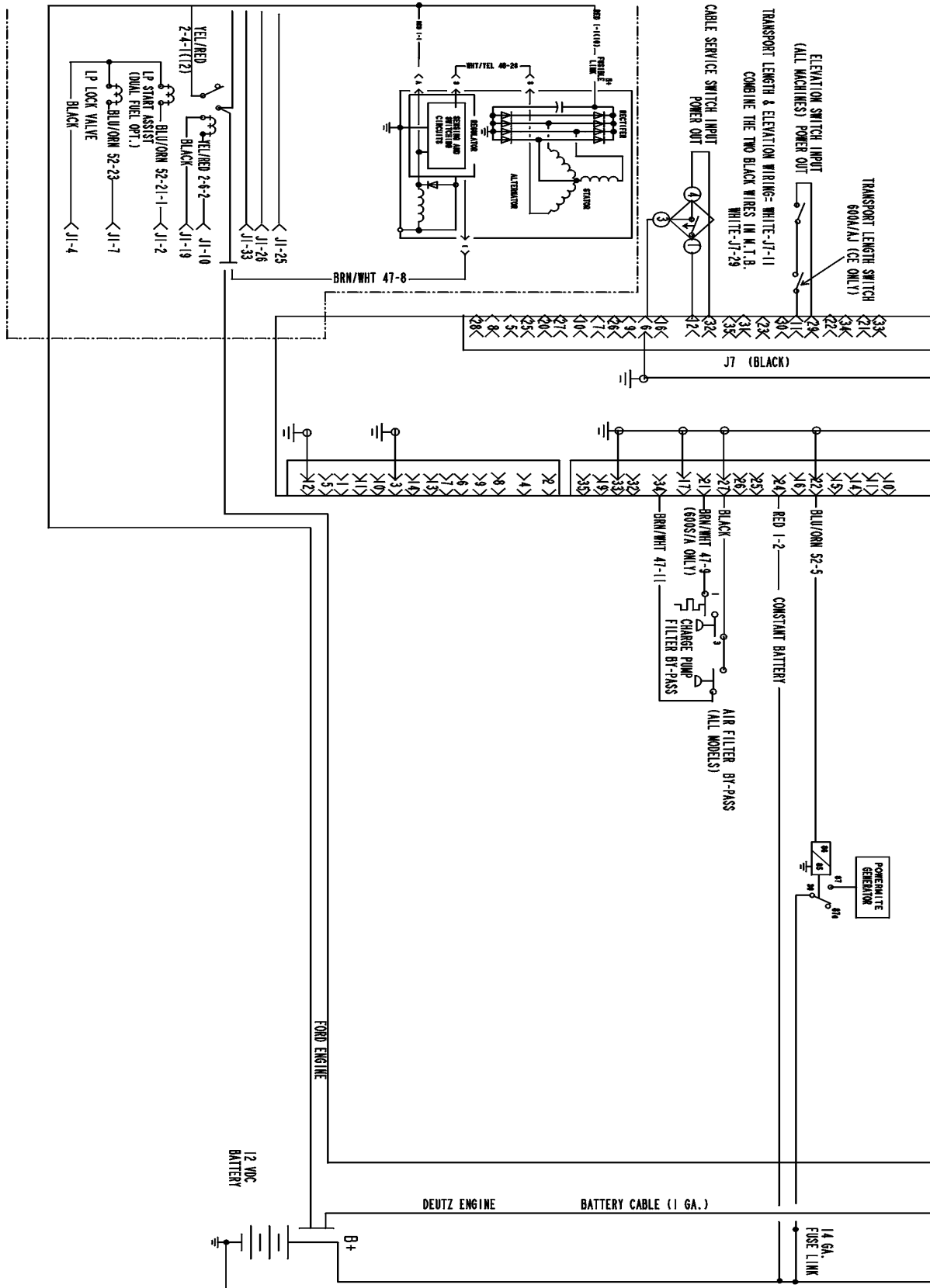
METRIC SIZE	SAE WIRE SIZE
0.5	20
0.8	18
1.0	16
2.0	14
3.0	12
5.0	10
8.0	8
13.0	6
19.0	4

ADD'D TRASH TABLE	PIN #	FUNCTION	TRASH PIN #
0	X	FREEMWEL	1
1	0	MID ENGINE	2
1	0	HI ENGINE	3
1	1	NOT USED	4
X DOES NOT CABLE			
0 - 0.10 WDC			
1 - 12 WDC			

SECTION 7 ELECTRICAL

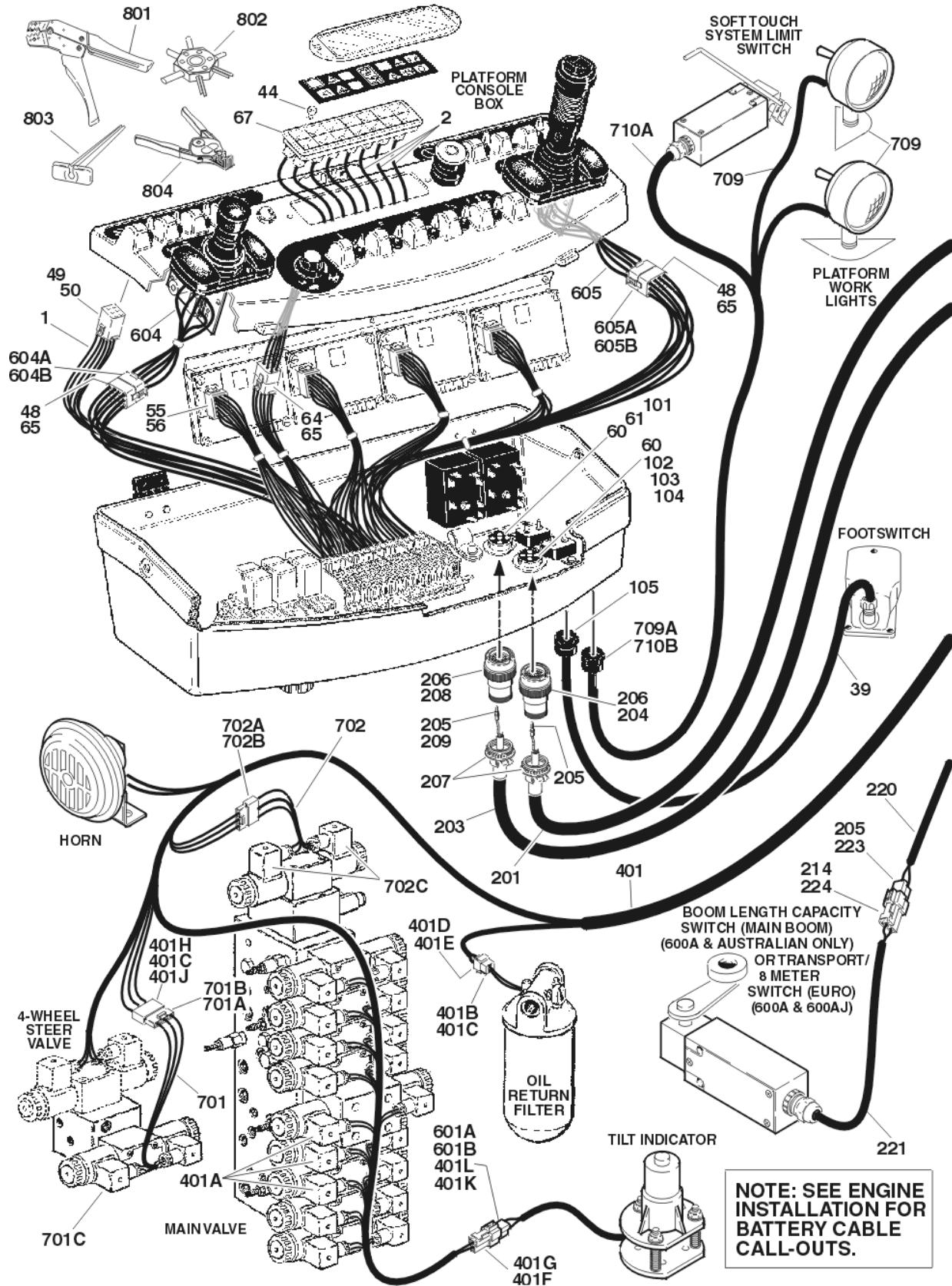
SECTION 7 ELECTRICAL

FIGURE 7-6. ELECTRICAL SCHEMATIC - DIESEL/GAS MACHINES (WITH ADE SYSTEM) (S/N 0300064249 TO S/N 0300069000)



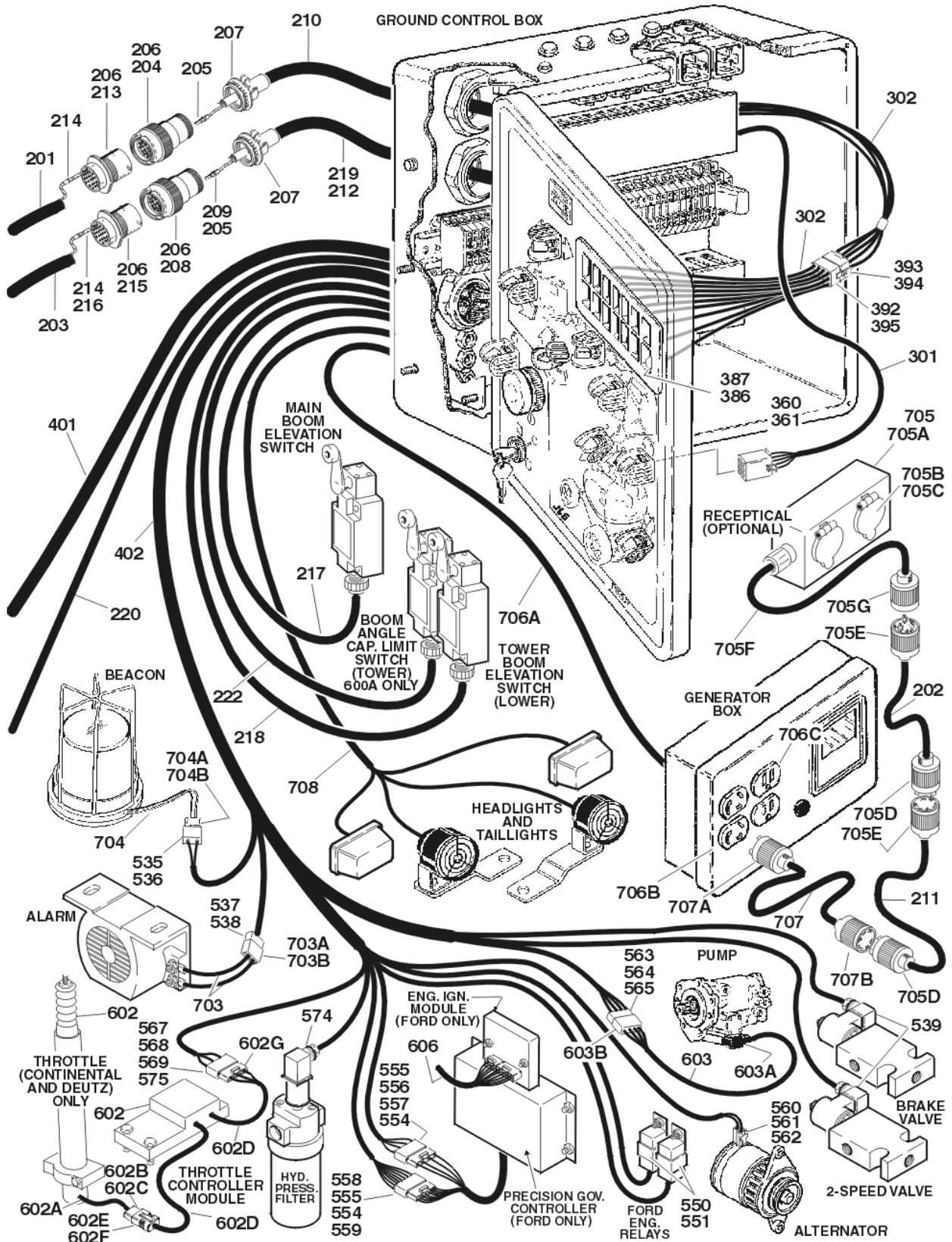
SECTION 7 ELECTRICAL

FIGURE 7-7.HARNES COMPONENTS INSTALLATION (PRIOR TO S/N 0300064249)



SECTION 7 ELECTRICAL

SECTION 7 ELECTRICAL



SECTION 7 ELECTRICAL

SECTION 7 ELECTRICAL

FIGURE 7-7. HARNESS COMPONENTS INSTALLATION (PRIOR TO S/N 0300064249)

FIG & ITEM #	PART NUMBER	DESCRIPTION	QTY.	REV.
		PLATFORM BOX WIRING DIAGRAMS	Ref.	
		Note: Numbered Colored Wiring starts with S/N 0300035129.	Ref.	
	4932849	CE & EN280 Spec Machines (Prior to S/N 0300035129)	Ref.	5/H
	4921994/4932974	CE & EN280 Spec Machines (S/N 0300035129 to S/N 0300064249)	Ref.	3/F-6/F
	4932848	Australian Spec (Prior to S/N 0300029430)	Ref.	1/E
	4932914	Australian Spec (S/N 0300029430 to S/N 0300035129)	Ref.	5/D
	4921991/4932905	Australian Spec (S/N 0300035129 to S/N 0300064249)	Ref.	2/E-7/E
1	See Note	Harness, Switch (Make from Individual Wires) (Note: Not Available for Purchase)	A/R	
2	See Note	Harness, Light Panel (Make from Individual Wires) (Note: Not Available for Purchase)	A/R	
3 to 38	Not Used			
39		Cable, Electrical (To Footswitch - Does Not Include Terminal Ends) Options:	7ft/2.1m	
	1060012	Prior to S/N 0300060643		
	1060515	S/N 0300060643 to S/N 0300064249		
40 to 43	Not Used			
44	2920129	Bulb, Light	12	
45 to 47	Not Used			
48	4460265	Plug - 9 Position	2	
49	4460418	Connector - 6 Position	8	
50	4460419	Socket, Female	62	
51 to 54	Not Used			
55		Connector - 15 Position Options:	4	
	4460620	Prior to S/N 0300035129		
	4460720	S/N 0300035129 to S/N 0300064249		
56		Socket, Female Options:	43	
	4460621	Prior to S/N 0300035129		
	4460721	S/N 0300035129 to S/N 0300064249		
57 to 59	Not Used			
60	4460464	Pin, Deutsch (14-16 Gauge)	40	
61	4460508	Pin, Deutsch (10-12 Gauge)	4	
62	3990010	Diode 3 Amp (Not Shown)	13	
63	Not Used			
64	4460225	Connector, Male - 6 Position	1	
65	4460267	Pin, Male	21	
66	3990010	Diode 6 Amp (Not Shown)	11	
67	Not Used			
68	4120035	Base, Light	12	

SECTION 7 ELECTRICAL

FIGURE 7-7. HARNESS COMPONENTS INSTALLATION (PRIOR TO S/N 0300064249) (CONTINUED)

FIG & ITEM #	PART NUMBER	DESCRIPTION	QTY.	REV.
		PLATFORM BOX ASSEMBLY COMPONENTS	Ref.	
101	4460613	Receptacle - 21 Pin	1	
102	4460503	Receptacle - 3 Pin	1	
103	4460470	Nut, Conduit	2	
104	4460471	Washer	2	
105	4460428	Connector, Strain Relief	1	
		BOOM CABLES INSTALLATIONS	Ref.	
	0255870	CABLE INSTALLATION - 600A (STANDARD PARTS)	Ref.	10
	0255878	CABLE INSTALLATION - 600AJ	Ref.	10
201	1060516	Cable, Electrical- 16/30 (Does Not Include Terminals)	46.5ft/14.2m	
202	1060494	Cable, Electrical- 12/3 (Does Not Include Plug Ends) (Prior to S/N 0300041488)	46.5ft/14.2m	
	1060709	Cable, Electrical- 12/3 (Does Not Include Plug Ends) (S/N 0300041488 to S/N 0300064249)	46.5ft/14.2m	
	1060461	Cable, Electrical- 12/3 (Does Not Include Plug Ends) (S/N 0300041488 to S/N 0300064249)	46.5ft/14.2m	
203	1060603	Cable, Electrical- 12/4 and 16/10 (Does Not Include Terminals)	46.5ft/14.2m	
204	4460502	Plug, Connector (31 Pin)	2	
205	4460465	Socket, Female - #16	A/R	
206	4460466	Seal, Plug	25	
207	4460473	Clamp, Cable	4	
208	4460614	Plug, Connector (19 Pin)	2	
209	4460509	Socket, Female - #12	8	
210	1060516	Cable, Electrical- 16/30 (Does Not Include Terminals)	37ft/11.3m	
211	1060461	Cable, Electrical- 12/3 (Does Not Include Plug Ends) (Prior to S/N 0300041488)	37ft/11.3m	
	1060709	Cable, Electrical- 12/3 (Does Not Include Plug Ends) (S/N 0300041488 to S/N 0300064249)	37ft/11.3m	
	1060461	Cable, Electrical- 12/3 (Does Not Include Plug Ends) (S/N 0300041488 to S/N 0300064249)	37ft/11.3m	
212	1060603	Cable, Electrical - 12/4 and 16/10 (Does Not Include Terminals)	37ft/11.3m	
213	4460503	Receptacle, Connector (31 Pin)	1	
214	4460464	Pin, Male - #16	A/R	
215	4460613	Receptacle, Connector (19 Pin)	1	
216	4460508	Pin, Male - #12	4	
217	1060016	Cable, Electrical - 16/3	37ft/11.3m	
218	1060016	Cable, Electrical - 16/3	37ft/11.3m	
219	2820031	Heatshrink	8in/20cm	
220	1060016	Cable, Electrical - 16/3	37ft/11.3m	
221	1060016	Cable, Electrical - 16/3	19ft/5.8m	
222	Not Required			
223	4460539	Connector, Terminal	1	
224	4460536	Plug, Terminal	1	

SECTION 7 ELECTRICAL

SECTION 7 ELECTRICAL

FIGURE 7-7. HARNESS COMPONENTS INSTALLATION (PRIOR TO S/N 0300064249) (CONTINUED)

FIG & ITEM #	PART NUMBER	DESCRIPTION	QTY.	REV.
		GROUND CONTROL BOX WIRING DIAGRAMS	Ref.	
		Note: Numbered Colored Wiring starts with S/N 0300035129.	Ref.	
	4932850	Deutz Engine Machines (Prior to S/N 0300035129)	Ref.	5/F
	4932976	Deutz Engine Machines (S/N 0300035129 to S/N 0300064249)	Ref.	4/C
301	See Note	Harness, Switch Options: Prior to S/N 0300035129 (Make From Individual Wires) (Note: Not Available for Purchase)	A/R	
	4921992	S/N 0300035129 to S/N 0300064249 (Includes Items 360 & 361)		3/D
302	See Note	Harness, Light Panel Options: Prior to S/N 0300035129 (Make From Individual Wires) (Note: Not Available for Purchase)	A/R	
	4922002	S/N 0300035129 to S/N 0300064249		2/D
303	See Note	Sub-Harness, Start Options: (Not Shown) Prior to S/N 0300035129 (Make From Individual Wires) (Note: Not Available for Purchase)	A/R	
	4922008	S/N 0300035129 to S/N 0300064249		4/D
304 to 359	Not Used			
360	4460418	Connector - 6 Position	A/R	
361	4460419	Socket, Female	A/R	
362 to 371	Not Used			
372	Not Required			
373 to 383	Not Used			
384	3990010	Diode 6 Amp (Not Shown)	A/R	
385	Not Used			
386	4120035	Base, Light	A/R	
	4460634	Insert, Terminal (Signal Wire)	A/R	
	4460635	Insert, Terminal (Double Wire)	A/R	
387	2920129	Bulb, Light	A/R	
388	3990001	Diode 3 Amp (Not Shown)	7	
389	3730099	Resistor 750 Ohm (Not Shown)	1	
390	Not Used			
391	3730022	Resistor 500 Ohm (Not Shown - Located at Alternator Light) (Prior to S/N 0300036354)	1	
	3730023	Resistor 510 Ohm (Not Shown - Located at Alternator Light) (S/N 0300036354 to S/N 0300064249)	1	
392	4460267	Pin, Male	6	
393	4460268	Socket, Female	6	
394	4460224	Connector, Female - 6 Position	1	
395	4460225	Connector, Male - 6 Position	1	

SECTION 7 ELECTRICAL

SECTION 7 ELECTRICAL

FIGURE 7-7. HARNESS COMPONENTS INSTALLATION (PRIOR TO S/N 0300064249) (CONTINUED)

FIG & ITEM #	PART NUMBER	DESCRIPTION	QTY.	REV.
		GROUND CONTROL BOX ASSEMBLY COMPONENTS	Ref.	
		Note: Numbered Colored Wiring starts with S/N 0300035129	Ref.	
401		Valve Harness Assembly Options:	1	
	4921739	Prior to S/N 0300026233		
	4921848	S/N 0300026233 to S/N 0300035129		
	4921922	S/N 0300035129 to S/N 0300064249		
401A	4460499	Connector, DIN	19	
401B	4460320	Connector, Female - 2 Position	2	
401C	4460267	Pin, Male	7	
401D	4460424	Plug, Male - 2 Position	1	
401E	4460268	Socket, Female	5	
401F	4460539	Plug, Male - 3 Position (Prior to S/N 0300026233)	1	
	4460225	Connector, Male - 6 Position (S/N 0300026233 to S/N 0300064249)	1	
401G	4460465	Socket, Female (Prior to S/N 0300026233)	3	
	4460267	Pin, Male (S/N 0300026233 to S/N 0300064249)	3	
401H	4460326	Plug, Male - 3 Position	1	
401J	4460445	Connector, Female - 3 Position	1	
401K	4460536	Connector, Deutsch - 3 Position (Prior to S/N 0300026233)	1	
	See Note	Connector - 6 Position (S/N 0300026233 to S/N 0300064249)	A/R	
401L	4460464	Pin, Male (Prior to S/N 0300026233)	3	
	See Note	Pin (S/N 0300026233 to S/N 0300064249)	A/R	
		Note: After S/N 0300026233, #401K and #401L are no longer part of Valve Harness. See Tilt Indicator Harness	Ref.	
402		Engine Harness Assembly Options: (See Items 501-574)	1	
	4921737	Deutz Engine Machines (Prior to S/N 0300035129)		4/E
	4921925	Deutz Engine Machines (S/N 0300035129 to S/N 0300064249)		6/G
		ENGINE HARNESS ASSEMBLY OPTIONS - DEUTZ:	Ref.	4/E
		Note: Numbered Wiring starts with S/N 0300035129.	Ref.	
	4921737	Deutz Engines (Prior to S/N 0300035129)	Ref.	4/E
	4921925	Deutz Engines (S/N 0300035129 to S/N 0300064249)	Ref.	6/G
501 to 527	Not Used			
528	4460268	Socket, Female	13	
529	4460267	Pin, Male	12	
530 to 534	Not Used			
535	4460424	Plug, Male - 2 Position	1	
536	4460268	Socket, Female	2	
537	4460320	Connector, Female - 2 Position	1	
538	4460267	Pin, Male	2	
539	4460499	Connector, DIN with Diode	3	
540 to 544	Not Used			

SECTION 7 ELECTRICAL

SECTION 7 ELECTRICAL

FIGURE 7-7. HARNESS COMPONENTS INSTALLATION (PRIOR TO S/N 0300064249) (CONTINUED)

FIG & ITEM #	PART NUMBER	DESCRIPTION	QTY.	REV.
545		Connector, Female Options:	A/R	
	4460445	3 Position (Prior to S/N 0300044053)	1	
	4460268	Socket, Female (Prior to S/N 0300044053)	3	
	4460777	4 Position (S/N 0300044053 to S/N 0300064249)	1	
	4460591	Lock, Terminal (S/N 0300044053 to S/N 0300064249)	1	
	4460589	Socket, Female (S/N 0300044053 to S/N 0300064249)	3	
	4460608	Seal, Cable (S/N 0300044053 to S/N 0300064249)	3	
546	Not Used			
547	4460265	Plug, Male - 9 Position	1	
548	4460266	Connector, Female - 9 Position	1	
549	Not Used			
550 to 551	Not Required			
552 to 553	Not Used			
554 to 562	Not Required			
563	4460460	Connector, Male	1	
564	4460457	Socket, Female	4	
565	4460458	Seal, Socket	4	
566 to 573	Not Used			
574	4460449	Connector, DIN without Diode	1	
		STANDARD HARNESS COMPONENTS	Ref.	
		Note: Numbered Wiring starts with S/N 0300035129.	Ref.	
601	See Note	Tilt Indicator Harness (Note: Not Available for Purchase)	1	
601A	See Note	Pin (Prior to S/N 0300026233)	A/R	
	4460268	Socket, Female (S/N 0300026233 to S/N 0300064249)	6	
601B	See Note	Plug (Prior to S/N 0300026233)	1	
	4460224	Connector, Female - 6 Position (S/N 0300026233 to S/N 0300064249)	1	
		Note: Prior to S/N 0300026233, #601A and 601B are part of Valve Harness. See Valve Harness.	Ref.	
602	See Note	Throttle Actuator/Controller Harness - Deutz	1	
		(Note: Not Available for Purchase)		
	Use 2910000	Throttle Actuator & Controller Assembly (was p/n 0060033)	1	
	7008833	Mounting Clamp Kit (Not Shown)	1	
	7008836	Spring, Retract (Not Shown)	1	
602A	See Note	Throttle Actuator & Harness (Purchase p/n 2910000) (Note: Not Available for Purchase)	1	
	7016336	Boot Kit	1	
602B	See Note	Pin, Male (Note: Not Available for Purchase)	9	
602C	See Note	Connector, Male (Note: Not Available for Purchase)	1	
602D	2910001	Controller & Harnesses	1	
602E	See Note	Socket, Female (Note: Not Available for Purchase)	9	
602F	See Note	Connector, Female (Note: Not Available for Purchase)	1	

SECTION 7 ELECTRICAL

FIGURE 7-7. HARNESS COMPONENTS INSTALLATION (PRIOR TO S/N 0300064249) (CONTINUED)

FIG & ITEM #	PART NUMBER	DESCRIPTION	QTY.	REV.
602G	See Note	Plug, Male - 4 Position (Note: Not Available for Purchase)	1	
	4460693	Pin, Male	4	
	4460591	Clip	1	
	4460608	Seal, Terminal	4	
603	See Note	Sunstrand Pump Harness (Note: Not Available for Purchase)	1	
603A	7007497	Plug (Pump End)	1	
603B	7007498	Plug (Engine Harness End)	1	
604	See Note	Controller Harness Assembly (Lift and Swing) (Note: Not Available for Purchase)	1	
604A	4460266	Connector, Female - 9 Position	1	
604B	4460268	Socket, Female	7	
605	See Note	Controller Harness/Circuit Board Assembly (Drive and Steer) (Note: Not Available for Purchase)	1	
605A	4460266	Connector, Female - 9 Position	1	
605B	4460268	Socket, Female	7	
606	Not Required			
		OPTIONAL HARNESS COMPONENTS	Ref.	
		Note: Numbered Colored Wiring starts with S/N 0300035129.	Ref.	
701		4WS Valve Harness Options:	1	
	4921772	Prior to S/N 0300035129		
	4921928	S/N 0300035129 to S/N 0300064249		
701A	4460268	Socket, Female	3	
701B	4460445	Connector, Female - 3 Position	1	
701C	4460499	Connector, DIN with Diode	2	
702		Articulating Jib Valve Harness Options: (600AJ Only)	1	
	4921771	Prior to S/N 0300035129		
	4921927	S/N 0300035129 to S/N 0300064249		
702A	4460326	Plug, Male - 3 Position	1	
702B	4460267	Pin, Male	3	
702C	4460499	Connector, DIN with Diode	2	
703		Alarm Harness Options: (Includes Alarm)	1	
	0255914	Prior to S/N 0300035129		
	0257887	S/N 0300035129 to S/N 0300064249		
703A	4460424	Plug, Male - 2 Position	1	
703B	4460268	Socket, Female	2	
704	0255917	Strobe Light Harness (Includes Strobe Light)	1	
704A	4460320	Connector, Female - 2 Position	1	
704B	4460267	Pin, Male	2	
705	0256202/1282520	AC (110V) to Platform Receptacle Components	Ref.	4/D
	See Note	AC (220V) to Platform Receptacle Components (Note: Not Available for Purchase)	Ref.	
705A	0860038	Box, Switch	1	
705B		Receptacle Options:	1	
	See Note	110V GFI (Note: Not Available for Purchase)		
	See Note	220V GFI (Note: Not Available for Purchase)		

SECTION 7 ELECTRICAL

SECTION 7 ELECTRICAL

FIGURE 7-7. HARNESS COMPONENTS INSTALLATION (PRIOR TO S/N 0300064249) (CONTINUED)

FIG & ITEM #	PART NUMBER	DESCRIPTION	QTY.	REV.
705C	See Note	Shield, Cover Options:	1	
	See Note	110V GFI (Note: Not Available for Purchase)		
	See Note	220V GFI (Note: Not Available for Purchase)		
705D	4460709	Plug, Male Options:	2	
	See Note	110V GFI (Note: Not Available for Purchase)		
	See Note	220V GFI (Note: Not Available for Purchase)		
705E	4460710	Connector, Female Options:	2	
	See Note	110V GFI		
	See Note	220V GFI (Note: Not Available for Purchase)		
705F	4921820	Harness-Receptacle Box to Boom Options:	1	
	See Note	110V		
	See Note	220V (Note: Not Available for Purchase)		
	1060461	Cable, Electrical - 12/3	18in/47cm	
705G	4460709	Plug, Male (110V)	1	
	See Note	Plug, Male (220V) (Note: Not Available for Purchase)	1	
705H	0961127	Bushing, Snap (Not Shown) Prior to S/N 0300040858	1	
706		Generator Electrical Components		
	4932828	110V (Prior to S/N 0300035129)	Ref.	2/C
	4932940	220V (Prior to S/N 0300035129)	Ref.	1/A
	4932915	110V (S/N 0300035129 to S/N 0300064249)	Ref.	1/A
	4932989	220V (S/N 0300035129 to S/N 0300064249)	Ref.	-/-
	3990010	Diode - 6 Amp (Not Shown)	1	
706A		Harness - On/Off Switch (Powermite Control Box to Ground Control Box)	1	
	4921828	Prior to S/N 0300035129		
	4921938	S/N 0300035129 to S/N 0300064249		
706B	4460027	Receptacle, Electrical (Industrial) (110V)	1	
	4460125	Receptacle, Electrical (220V)	1	
706C	4460190	Receptacle, Electrical (Standard) (110V)	1	
	4460125	Receptacle, Electrical (220V)	1	
707	4921829	Generator to Rear of Boom Harness (110V)	1	
	4921957	Generator to Rear of Boom Harness (220V)	1	
		Note: Harness used to connect AC at platform harness to generator receptacle to power platform receptacle.	Ref.	
	1060494	Cable, Electrical - 12/3	26ft/8m	
707A	4460205	Plug, Male (110V)	1	
	4460233	Plug, Male (220V)	1	
707B	4460134	Receptacle, Female (110V)	1	
	4460701	Receptacle, Female (220V)	1	
708	See Note	Lights Harness (Note: Not Available for Purchase)	1	
	3740049	Relay (Not Shown)	1	
	1060341	Cable, Electrical - 16/2	37ft/11.3m	

SECTION 7 ELECTRICAL

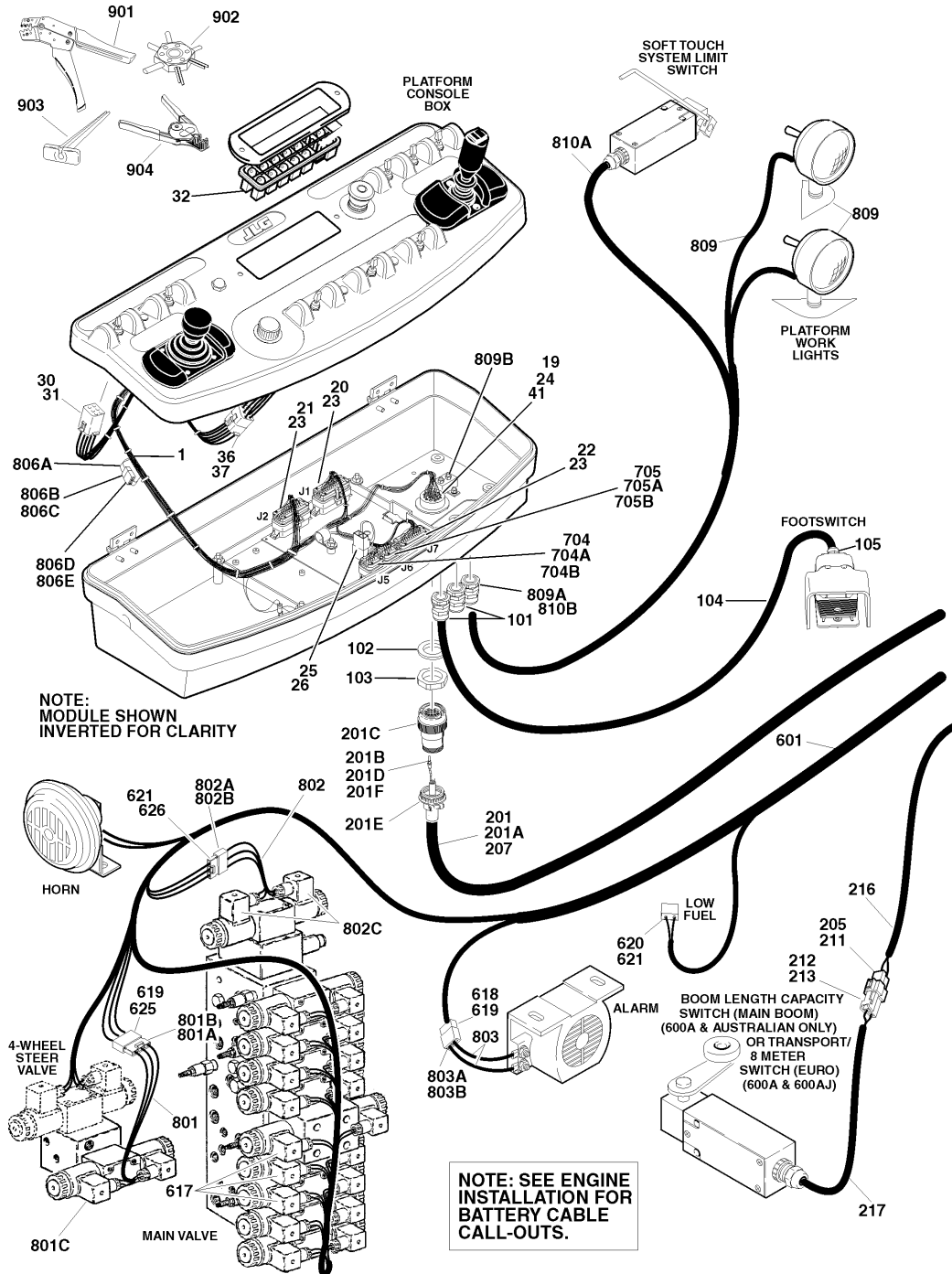
FIGURE 7-7. HARNESS COMPONENTS INSTALLATION (PRIOR TO S/N 0300064249) (CONTINUED)

FIG & ITEM #	PART NUMBER	DESCRIPTION	QTY.	REV.
709	2920140	Platform Worklights Harness (Includes Light and Wire Only)	2	
	2820035	Loom, Vinyl	9ft/2.8m	
	7016399	Bulb, Replacement (50 watts) (1 Per)	1	
709A	4460598	Connector, Strain Relief	1	
	4460442	Terminal (Not Shown-Located in Platform Console)	2	
710	See Note	Soft-Touch System Harness (Note: Not Available for Purchase)	1	
710A	1060330	Cable, Electrical - 16/3 (Prior to S/N 0300029105)	16ft/4.9m	
	1060341	Cable, Electrical - 16/3 (S/N 0300029105 to S/N 0300064249)	16ft/4.9m	
710B	4460425	Connector, Strain Relief (S/N 0300029105 to S/N 0300064249)	1	
	4460428	Connector, Strain Relief (Prior to S/N 0300029105)	1	
		TOOLS	Ref.	
801	7002821	Crimper (For Wire to Pin/Socket Connections)	1	
802	7002823	Extractor (For Removal of Pin/Socket from Connectors)	1	
803	4460467	Extractor, Pin (Blue 16-18 Gauge) (For Removal of Pin/Socket from Connectors)	1	
	4460510	Extractor, Pin (Yellow 12-14 Gauge) (For Removal of Pin/Socket from Connectors)	1	
804	8896941	Stripper, Wire	1	

SECTION 7 ELECTRICAL

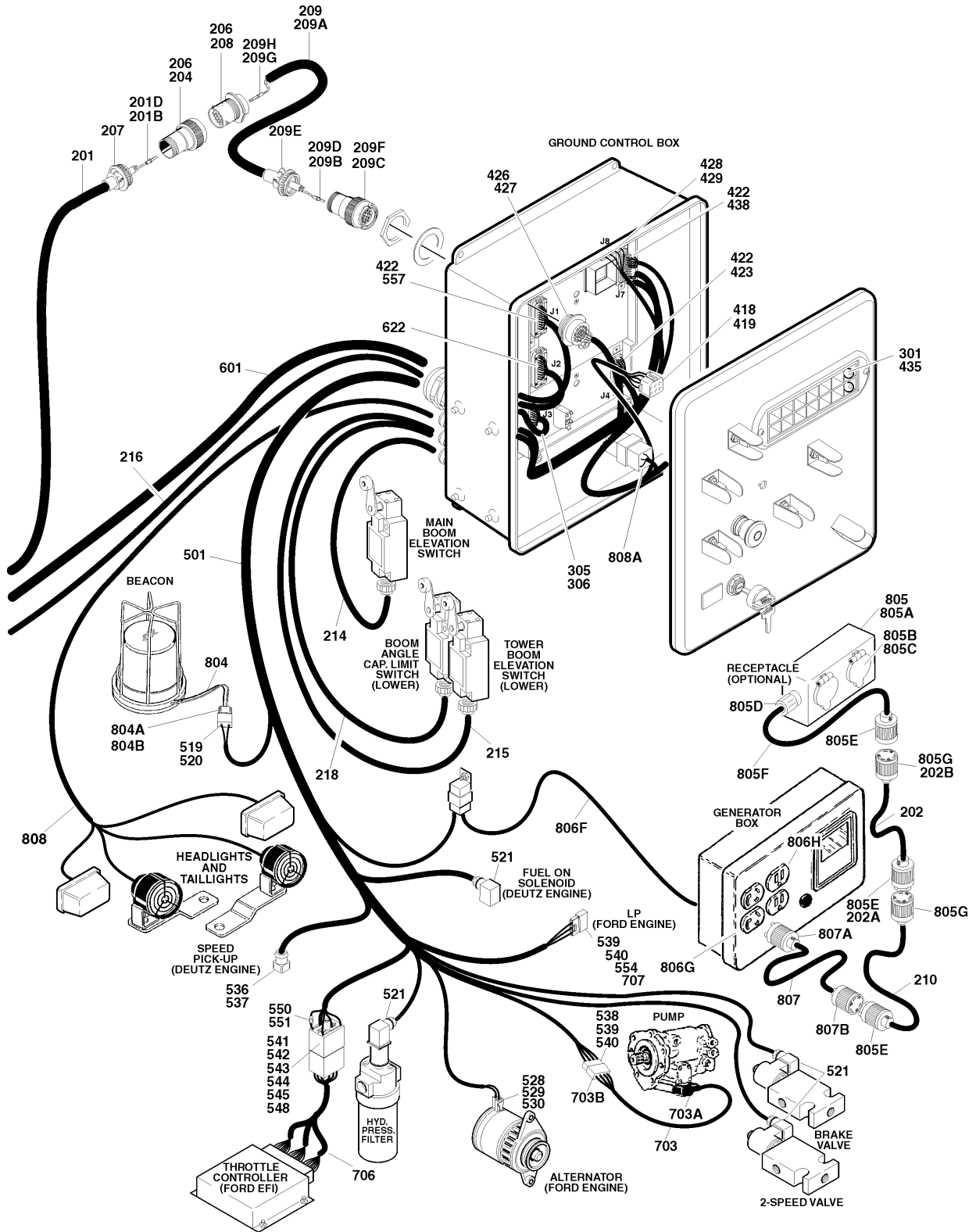
SECTION 7 ELECTRICAL

**FIGURE 7-8. HARNESS COMPONENTS INSTALLATION (WITH ADE SYSTEM)
(S/N 0300064249 TO S/N 0300064270)**



SECTION 7 ELECTRICAL

SECTION 7 ELECTRICAL



SECTION 7 ELECTRICAL

SECTION 7 ELECTRICAL

FIGURE 7-8. HARNESS COMPONENTS INSTALLATION (WITH ADE SYSTEM) (S/N 0300064249 TO S/N 0300064270)

FIG & ITEM #	PART NUMBER	DESCRIPTION	QTY.	REV.
	4922509	PLATFORM BOX HARNESS ASSEMBLY	Ref.	3/D
1	4922509	Harness, Console Box	1	
2 to 18	Not Used			
19	4460866	Terminal, 19 Pin Receptacle	1	
20	4460874	Connector - 35 Position (Natural)	1	
21	4460875	Connector - 35 Position (Gray)	1	
22	4460873	Connector - 35 Position (Black)	1	
23	4460871	Socket, Female	48	
24	4460464	Pin, Male (16 Gauge)	7	
25	4460879	Terminal, Housing 2 Position	1	
26	4460887	Terminal, (12 Gauge)	2	
27 to 29	Not Used			
30	4460418	Connector - 6 Position	4	
31	4460419	Socket, Female	12	
32	4120035	Base, Light	7	
33 to 35	Not Used			
36	4460225	Connector, Male - 6 Position	1	
37	4460227	Pin	6	
38 to 40	Not Used			
41	4460508	Pin, Male (12 Gauge)	3	
42	Not Used			
		PLATFORM BOX ASSEMBLY COMPONENTS	Ref.	
101	4460428	Connector, Strain Relief	2	
102	4460470	Nut, Conduit	1	
103	4460471	Washer	1	
104	1060330	Cable, Electrical - 16/3	1	
105	4460071	Connector, Strain Relief	1	
		BOOM CABLES INSTALLATION	Ref.	
	0270819	600A	Ref.	3
	0270821	600AJ	Ref.	3
201	4922493	Harness, Main Boom	1	
201A	1060896	Cable	45.5ft/13.9m	
201B	4460465	Socket, Female - #16	22	
201C	4460865	Plug, Connector (19 Pin)	1	
201D	4460509	Socket, Female - #12	8	
201E	4460473	Clamp, Cable	1	
201F	4460466	Seal, Plug	4	
202	1060461	Cable, Electrical - 12/3 (Does not include plug ends)	46ft/14m	
203	Not Used			
204	4460865	Plug, Connector (19 Pin)	1	
205	4460465	Socket, Female - #16	3	
206	4460466	Seal, Plug	8	

SECTION 7 ELECTRICAL

SECTION 7 ELECTRICAL

FIGURE 7-8. HARNESS COMPONENTS INSTALLATION (WITH ADE SYSTEM) (S/N 0300064249 TO S/N 0300064270) (CONTINUED)

FIG & ITEM #	PART NUMBER	DESCRIPTION	QTY.	REV.
207	4460473	Clamp, Cable	1	
208	4460866	Plug, Connector (19 Pin)	1	
209	4922494	Harness, Lower Boom Cable	1	
209A	1060896	Cable	35.5ft/10.8m	
209B	4460465	Socket, Female - #16	11	
209C	4460865	Plug, Connector (19 Pin)	1	
209D	4460509	Socket, Female - #12	4	
209E	4460473	Clamp, Cable	1	
209F	4460466	Seal, Plug	4	
209G	4460464	Pin, Male (16 Gauge)	11	
209H	4460508	Pin, Male (12 Gauge)	4	
210	1060461	Cable, Electrical - 12/3 (Does not include plug ends)	33ft/10m	
211	4460539	Connector, Terminal (600A Only)	1	
212	4460536	Plug, Terminal (600A Only)	1	
213	4460464	Pin, Male (16 Gauge)	3	
214	1060902	Cable, Electrical - 18/2 Main Boom Limit Switch	37ft/11.3m	
215	1060902	Cable, Electrical - 18/2 Tower Boom Limit Switch 600A	37ft/11.3m	
		600AJ	18ft/5.5m	
216	1060902	Cable, Electrical - 18/2 Main Boom Length (600A Only)	37ft/11.3m	
217	1060902	Cable, Electrical - 18/2 Main Boom Length 600A	19ft/5.8m	
		600AJ	16.5ft/5.0m	
	4933185	GROUND CONTROL BOX DIAGRAMS	Ref.	3/C
301	2920129	Bulb, Light	6	
302	4460871	Socket, Female	6	
303 to 306	Not Used			
307	2400065	Fuse, 30Amp (Not Shown)	1	
308	2400066	Fuse, Holder W/Cover (Not Shown)	1	
309 to 311	Not Used			
	4922516	GROUND CONTROL HARNESS ASSEMBLY	Ref.	4/E
401 to 417	Not Used			
418	4460419	Socket, Female	27	
419	4460418	Connector - 6 Position	9	
420 to 421	Not Used			
422	4460871	Socket, Female	39	
423	4460876	Connector - 35 Position (Blue)	1	
424 to 425	Not Used			
426	4460464	Pin, Male (16 Gauge)	10	
427	4460866	Terminal, 19 Pin Receptacle	1	
428	4460878	Housing, Terminal - 4 Position	1	
429	4460887	Terminal (12 Gauge)	3	
430 to 434	Not Used			

SECTION 7 ELECTRICAL

SECTION 7 ELECTRICAL

FIGURE 7-8. HARNESS COMPONENTS INSTALLATION (WITH ADE SYSTEM) (S/N 0300064249 TO S/N 0300064270) (CONTINUED)

FIG & ITEM #	PART NUMBER	DESCRIPTION	QTY.	REV.
435	4120035	Base, Light	6	
436 to 437	Not Used			
438	4460873	Connector - 35 Position (Black)	1	
439	Not Used			
	4922515	ENGINE HARNESS ASSEMBLY	Ref.	5/E
501	4922515	Harness, Assembly	1	
502 to 518	Not Used			
519	4460424	Plug, Male - 2 Position	1	
520	4460268	Socket, Female	2	
521	4460880	DIN Connector without Diode	A/R	
522 to 535	Not Used			
536	4460890	Housing - 2 Position	1	
537	4460889	Terminal	2	
538	4460460	Connector, Male - 4 Position	1	
539	4460457	Terminal, Female	A/R	
540	4460458	Seal, Terminal	A/R	
541 to 556	Not Used			
557	4460871	Socket, Female	A/R	
558 to 566	Not Used			
	4922508	VALVE HARNESS ASSEMBLY	Ref.	2/A
601	4922508	Harness, Assembly	1	
602 to 616	Not Used			
617	4460880	DIN Connector	15	
618	4460320	Connector, Female - 2 Position	1	
619	4460267	Pin, Male	5	
620	4460424	Plug, Male - 2 Position	1	
621	4460268	Socket, Female	5	
622	4460871	Socket, Female	28	
623 to 624	Not Used			
625	4460326	Connector, Male - 3 Position	1	
626	4460445	Connector, Female - 3 Position	1	
627 to 628	Not Used			
		STANDARD HARNESS COMPONENTS	Ref.	
701 to 702	Not Used			
703	See Note	Pump Harness (Note: Not Available for Purchase)	1	
703A	7007497	Plug (Pump End)	1	
703B	7007498	Plug (Engine Harness End)	1	
704	See Note	Controller Harness Assembly (Lift and Swing) (Note: Not Available for Purchase)	1	
704A	7022819	Plug, Male - 8 Position (Natural)	1	
704B	4460871	Socket, Female	8	

SECTION 7 ELECTRICAL

FIGURE 7-8. HARNESS COMPONENTS INSTALLATION (WITH ADE SYSTEM) (S/N 0300064249 TO S/N 0300064270) (CONTINUED)

FIG & ITEM #	PART NUMBER	DESCRIPTION	QTY.	REV.
705	See Note	Controller Harness/Circuit Board Assembly (Drive and Steer) (Note: Not Available for Purchase)	1	
705A	7022825	Plug, Female - 8 Position (Black)	1	
705B	4460871	Socket, Female	7	
706 to 707	Not Required			
OPTIONAL HARNESS COMPONENTS			Ref.	
801	4921928	4WS Valve Harness	1	
801A	4460268	Socket, Female	3	
801B	4460445	Connector, Female - 3 Position	1	
801C	4460499	Connector, DIN with Diode	2	
802	4921927	Jib Valve Harness (600AJ Only)	1	
802A	4460326	Plug, Male - 3 Position	1	
802B	4460267	Pin, Male	3	
802C	4460499	Connector, DIN with Diode	2	
803	0257887	Alarm Harness (Includes Alarm)	1	
803A	4460424	Plug, Male - 2 Position	1	
803B	4460268	Socket, Female	2	
804	0255917	Strobe Light Harness (Includes Strobe Light)	1	
804A	4460320	Connector, Female - 2 Position	1	
804B	4460267	Pin, Male	2	
805	0256202	AC to Platform Receptacle Components	Ref.	4/G
805A	0860038	Box, Switch	1	
805B	Not Required	Receptacle	1	
805C	Not Required	Shield, Cover	1	
805D	Not Required	Connector, Strain Relief	1	
805E	4460709	Plug, Male	2	
805F	4921820	Harness-Receptacle Box to Boom	1	
	1060494	Cable, Electrical - 12/3	2.5ft/0.8m	
805G	4460710	Connector, Female	2	
806		Generator Electrical Components		
	4933158	110V	Ref.	1/A
	4933162	220V	Ref.	1/A
	3990010	Diode - 6 Amp (Not Shown)	1	
806A	4922483	Harness - On/Off Switch	1	
806B	4460320	Connector, Female - 2 Position	1	
806C	4460267	Pin, Male	2	
806D	4460424	Plug, Male - 2 Position	1	
806E	4460268	Socket, Female	2	
806F	4922482	Powermite Control Box to Relay	1	
806G	4460027	Receptacle, Electrical (Industrial) (110V)	1	
	4460125	Receptacle, Electrical (220V)	1	
806H	4460190	Receptacle, Electrical (Standard) (110V)	1	
	4460125	Receptacle, Electrical (220V)	1	

SECTION 7 ELECTRICAL

SECTION 7 ELECTRICAL

FIGURE 7-8. HARNESS COMPONENTS INSTALLATION (WITH ADE SYSTEM) (S/N 0300064249 TO S/N 0300064270) (CONTINUED)

FIG & ITEM #	PART NUMBER	DESCRIPTION	QTY.	REV.
807	4921957	Generator to Rear of Boom Harness (110V/220V) Note: Harness used to connect AC at platform harness to generator receptacle to power platform receptacle.	1 Ref.	
	1060461	Cable, Electrical - 12/3	6ft/1.8m	
807A	Not Required	Plug, Male	1	
807B	Not Required	Receptacle, Female	1	
808	See Note	Lights Harness (Note: Not Available for Purchase)	1	
	1060341	Cable, Electrical - 16/2	37ft/11.3m	
808A	3740049	Relay	1	
808B	4922643	Harness, Bag (Located at Ground Control Box) (Not Shown)	1	
809	2920140	Platform Worklights Harness (Includes Light and Wire Only)	2	
	2820035	Loom, Vinyl	9ft/2.8m	
	7016399	Bulb, Replacement (50 watts) (1 Per)	1	
809A	4460598	Connector, Strain Relief	1	
809B	4360232	Circuit Breaker, 15Amp	1	
810	See Note	Soft-Touch System Harness (Note: Not Available for Purchase)	1	
810A	1060341	Cable, Electrical - 16/3	16ft/4.9m	
810B	4460425	Connector, Strain Relief	1	
		TOOLS	Ref.	
901	7002821	Crimper (For Wire to Pin/Socket Connections)	1	
902	7002823	Extractor (For Removal of Pin/Socket from Connectors)	1	
903	4460467	Extractor, Pin (Blue 16-18 Gauge) (For Removal of Pin/Socket from Connectors)	1	
	4460510	Extractor, Pin (Yellow 12-14 Gauge) (For Removal of Pin/Socket from Connectors)	1	
904	7002828	Stripper, Wire	1	
905	1001137005	Software Cable Kit (Not Shown)	1	

SECTION 7 ELECTRICAL

SECTION 7 ELECTRICAL

FIGURE 7-8. HARNESS COMPONENTS INSTALLATION (WITH ADE SYSTEM) (S/N 0300064249 TO S/N 0300064270) (CONTINUED)

FIG & ITEM #	PART NUMBER	DESCRIPTION	QTY.	REV.

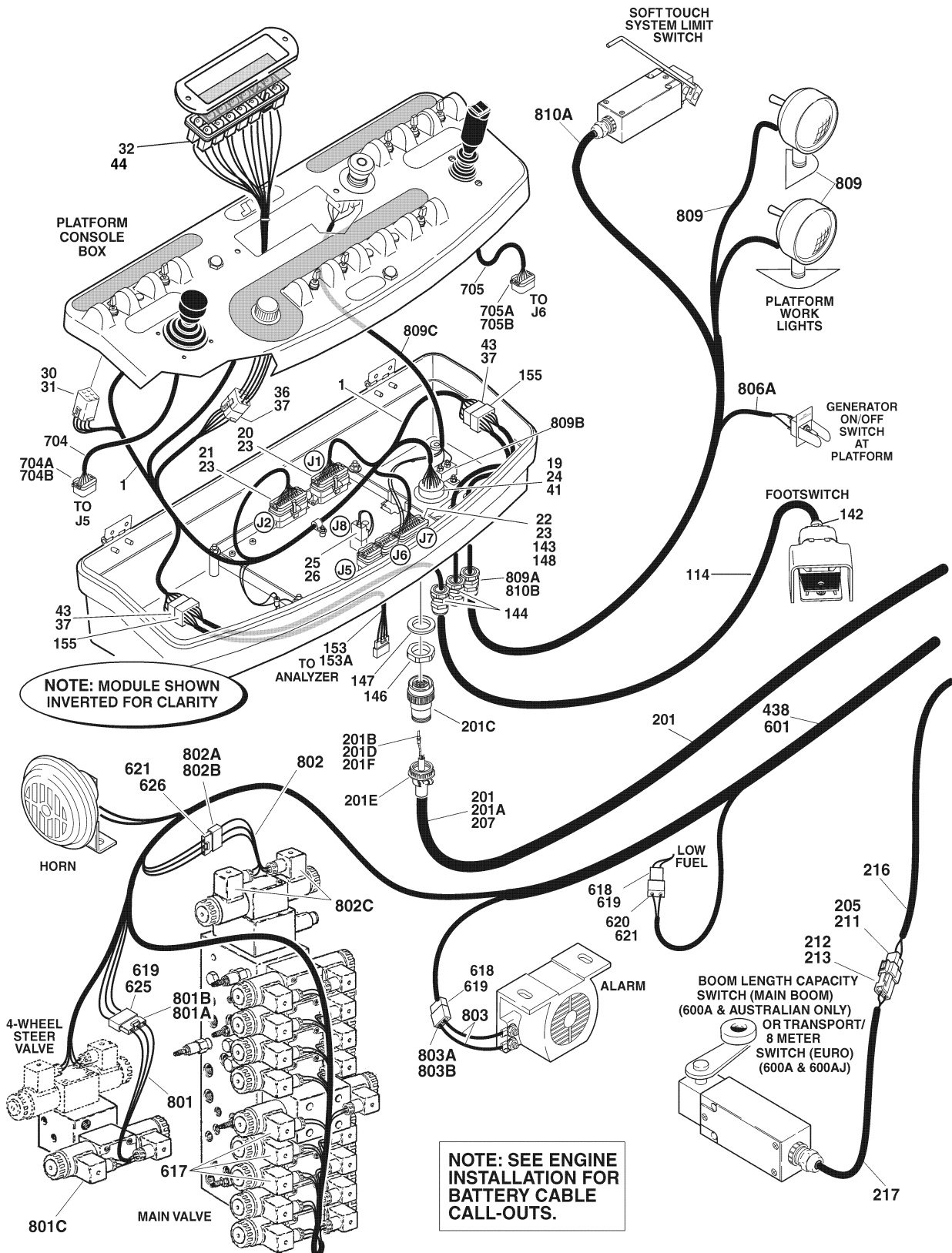
**S
E
C
T
I
O
N

7

E
L
E
C
T
R
I
C
A
L**

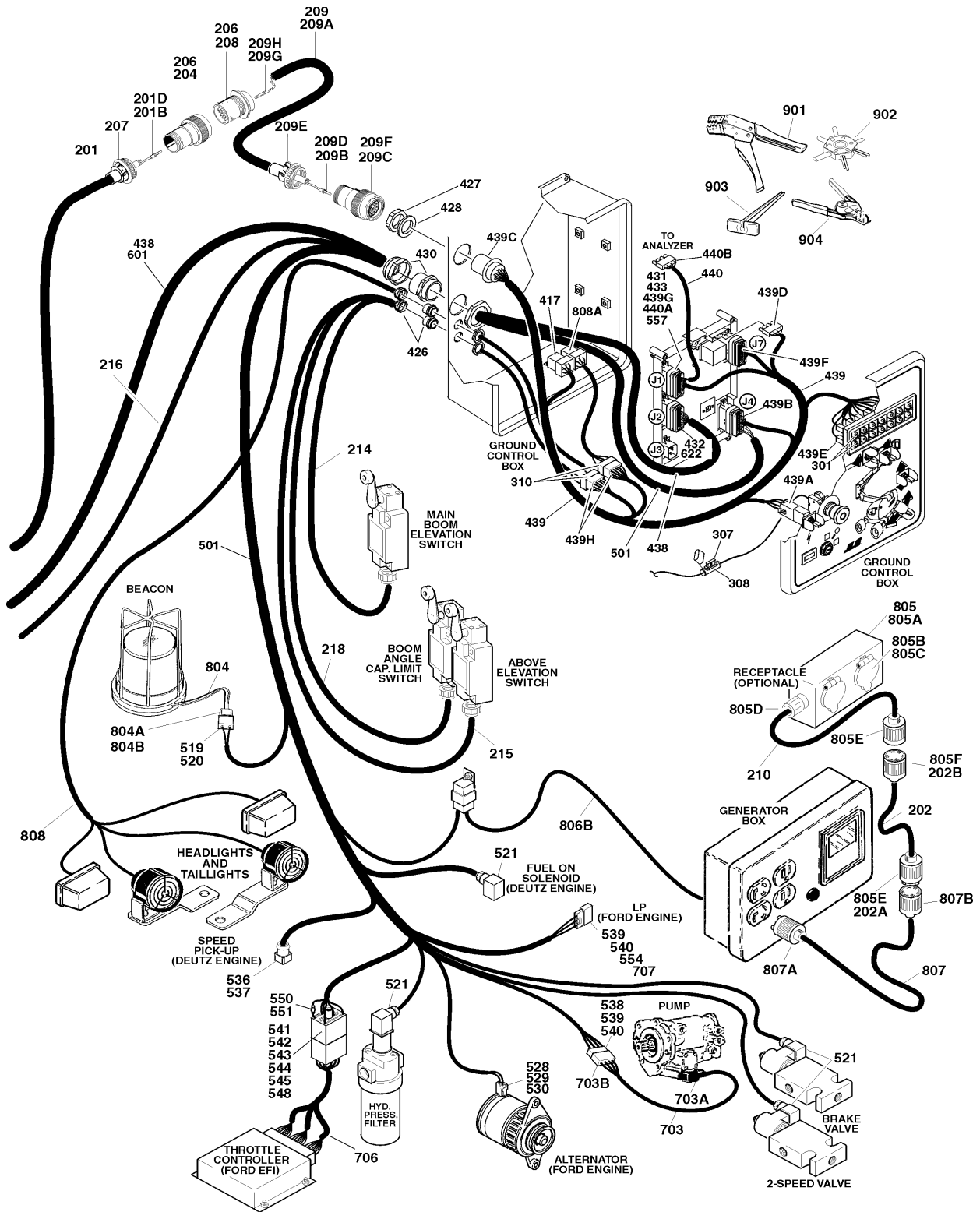
SECTION 7 ELECTRICAL

**FIGURE 7-9. HARNESS COMPONENTS INSTALLATION (WITH ADE SYSTEM)
(S/N 0300064270 TO S/N 0300069000)**



SECTION 7 ELECTRICAL

SECTION 7 ELECTRICAL



SECTION 7 ELECTRICAL

SECTION 7 ELECTRICAL

FIGURE 7-9. HARNESS COMPONENTS INSTALLATION (WITH ADE SYSTEM) (S/N 0300064270 TO S/N 0300069000)

FIG & ITEM #	PART NUMBER	DESCRIPTION	QTY.	REV.
	4922639	PLATFORM BOX HARNESS ASSEMBLY	Ref.	C
1	4922639	Harness, Console Box	1	
2 to 18	Not Used			
19	4460866	Terminal, 19 Pin Receptacle	1	
20	4460874	Connector - 35 Position (Natural)	1	
21	4460875	Connector - 35 Position (Gray)	1	
22	4460873	Connector - 35 Position (Black)	1	
23	4460871	Socket, Female	70	
24	4460464	Pin, Male (16 Gauge)	7	
25	4460879	Terminal, Housing 2 Position	1	
26	4460887	Terminal, (12 Gauge)	2	
27 to 29	Not Used			
30	4460418	Connector - 6 Position	8	
31	4460419	Terminal, Female	24	
32	4120035	Base, Light	12	
33 to 35	Not Used			
36	4460225	Connector - 6 Position	1	
37	4460227	Pin, Male	28	
38 to 40	Not Used			
41	4460508	Pin, Male (12 Gauge)	3	
42	Not Used			
43	4460434	Connector - 15 Position	2	
44	2920129	Lamp, Indicator	12	
		PLATFORM BOX ASSEMBLY COMPONENTS	Ref.	
101 to 103	Not Used			
104	0100048	Grease, Dielectric (Not Shown)	A/R	
105 to 113	Not Used			
114	1060918	Cable, Electrical - 18/3	8ft/2.4m	
115 to 141	Not Used			
142	4460071	Connector, Strain Relief	1	
143	4460226	Socket, Female	2	
144	4460428	Connector, Strain Relief	2	
145	Not Used			
146	4460470	Nut, Terminal	1	
147	4460471	Lockwasher, Terminal	1	
148	4460905	Seal, Plug	5	
149 to 152	Not Used			
153	4922666	Harness, Analyzer Cable	1	1/A
	4460226	Socket, Female (Not Shown - Located at J2)	4	
153A	4460761	Connector, Female - 4 Position	1	
	4460227	Pin, Male	4	
154	Not Used			
155	4460708	Terminal, 15 Pin Mate-N-Loc	2	

SECTION 7 ELECTRICAL

SECTION 7 ELECTRICAL

FIGURE 7-9. HARNESS COMPONENTS INSTALLATION (WITH ADE SYSTEM) (S/N 0300064270 TO S/N 0300069000) (CONTINUED)

FIG & ITEM #	PART NUMBER	DESCRIPTION	QTY.	REV.
		BOOM CABLES INSTALLATION	Ref.	
	0270819	600A	Ref.	5
	0270821	600AJ	Ref.	6
	0272626	600A (With 7500W Generator) (Sky Power)	Ref.	1
	0272627	600AJ (With 7500W Generator) (Sky Power)	Ref.	1
201	4922493	Harness, Main Boom	1	
201A	1060896	Cable	45.5ft/13.9m	
201B	4460465	Socket, Female - #16	22	
201C	4460865	Plug, Connector (19 Pin)	1	
201D	4460509	Socket, Female - #12	8	
201E	4460473	Clamp, Cable	1	
201F	4460466	Seal, Plug	4	
202	1060461	Cable, Electrical - 12/3 (Does not include plug ends)	46ft/14m	
	4922810	Harness, Electrical - 8/5 (Does not include plug ends) (With 7500W Generator)	1	
	1060945	Cable, Electrical - 8/5 (With 7500W Generator)	47ft/14.3m	
203	Not Used			
204	4460865	Plug, Connector (19 Pin)	1	
205	4460465	Socket, Female - #16	3	
206	4460466	Seal, Plug	8	
207	4460473	Clamp, Cable	1	
208	4460866	Plug, Connector (19 Pin)	1	
209	4922494	Harness, Lower Boom Cable	1	
209A	1060896	Cable	35.5ft/10.8m	
209B	4460465	Socket, Female - #16	11	
209C	4460865	Plug, Connector (19 Pin)	1	
209D	4460509	Socket, Female - #12	4	
209E	4460473	Clamp, Cable	1	
209F	4460466	Seal, Plug	4	
209G	4460464	Pin, Male (16 Gauge)	11	
209H	4460508	Pin, Male (12 Gauge)	4	
210	1060461	Cable, Electrical - 12/3 (Does not include plug ends)	33ft/10m	
	4922811	Harness, Electrical - 8/5 (Does not include plug ends) (With 7500W Generator)	1	
	1060945	Cable, Electrical - 8/5 (With 7500W Generator)	36ft/10.9m	
211	4460891	Connector, Terminal (600A Only)	1	
212	4460897	Plug, Terminal (600A Only)	1	
213	4460464	Pin, Male (16 Gauge)	3	
214	1060902	Cable, Electrical - 18/2 Main Boom Limit Switch	37ft/11.3m	
215	1060902	Cable, Electrical - 18/2 Tower Boom Limit Switch		
		600A	37ft/11.3m	
		600AJ	18ft/5.5m	
216	1060902	Cable, Electrical - 18/2 Main Boom Length (600A Only)	37ft/11.3m	
217	1060902	Cable, Electrical - 18/2 Main Boom Length		
		600A	19ft/5.8m	
		600AJ	16.5ft/5.0m	

SECTION 7 ELECTRICAL

FIGURE 7-9. HARNESS COMPONENTS INSTALLATION (WITH ADE SYSTEM) (S/N 0300064270 TO S/N 0300069000) (CONTINUED)

FIG & ITEM #	PART NUMBER	DESCRIPTION	QTY.	REV.
	4933214	GROUND CONTROL BOX DIAGRAMS	Ref.	2/B
301	2920129	Bulb, Light	6	
302 to 306	Not Used			
307	2400065	Fuse, 30Amp	1	
308	2400066	Fuse, Holder W/Cover	1	
309	Not Used			
310	4460708	Receptacle, Female - 15 Position	2	
	4460226	Socket, Female	10	
	4922637	Harness, Jumper (Not Shown)	1	
		GROUND CONTROL HARNESS ASSEMBLY	Ref.	
401 to 416	Not Used			
417	3740049	Relay	2	
418 to 425	Not Used			
426	4460426	Connector, Strain Relief	2	
427	4460470	Nut, Terminal	1	
428	4460471	Lockwasher, Terminal	1	
429	Not Used			
430	4460526	Connector, Strain Relief	1	
431	4460874	Connector (Natural)	1	
432	4460875	Connector (Gray)	1	
433	4460905	Connector, Amp Seal Plug	4	
434 to 436	Not Used			
437	4922515	Engine Harness Assembly (Not Shown - See 501 to 566 for Breakdown)	1	
438	4922508	Valve Harness Assembly (See 601 to 628 for Breakdown)	1	
439	4922638	Ground Control Box Harness Assembly	1	3/C
439A	4460418	Connector, Female- 6 Position	9	
	4460419	Socket, Female	27	
439B	4460876	Connector, 35- Position	1	
	4460871	Socket, Female	A/R	
	4460905	Seal, Plug	2	
439C	4460866	Receptacle, Female- 19 Pin	1	
	4460464	Pin, Male Deutsch (16 Gauge)	10	
439D	4460878	Housing, Terminal- 4 Position	1	
	4460887	Terminal (12 Gauge)	3	
439E	4120035	Base, Light	6	
	4460634	Terminal (16 Gauge)	7	
439F	4460873	Connector, 35- Position (Black)	1	
	4460871	Socket, Female	A/R	
	4460635	Terminal (12 Gauge)	5	
439G	4460871	Socket, Female	A/R	
439H	4460434	Plug, Male 15- Position	2	
	4460227	Pin	A/R	
439I	3990010	Diode - 6 Amp (Not Shown)	2	

SECTION 7 ELECTRICAL

SECTION 7 ELECTRICAL

FIGURE 7-9. HARNESS COMPONENTS INSTALLATION (WITH ADE SYSTEM) (S/N 0300064270 TO S/N 0300069000) (CONTINUED)

FIG & ITEM #	PART NUMBER	DESCRIPTION	QTY.	REV.
440	4922666	Cable, Analyzer	1	1/A
440A	4460226	Socket, Female	4	
440B	4460761	Connector, Female 4- Position	1	
	4460227	Pin, Male	4	
441	4933214	Ground Control Box Wiring Diagram (Not Shown - See Items 301 to 310 for Breakdown)	1	
	4922515	ENGINE HARNESS ASSEMBLY	Ref.	5/E
501	4922515	Harness, Assembly	1	
502 to 518	Not Used			
519	4460424	Plug, Male - 2 Position	1	
520	4460268	Socket, Female	2	
521	4460880	DIN Connector without Diode	A/R	
522 to 535	Not Used			
536	4460890	Housing - 2 Position	1	
537	4460889	Terminal	2	
538	4460460	Connector, Male - 4 Position	1	
539	4460457	Terminal, Female	A/R	
540	4460458	Seal, Terminal	A/R	
541 to 556	Not Used			
557	4460871	Socket, Female	A/R	
558 to 566	Not Used			
	4922508	VALVE HARNESS ASSEMBLY	Ref.	4/D
601	4922508	Harness, Assembly	1	
602 to 616	Not Used			
617	4460880	DIN Connector	15	
618	4460320	Connector, Female - 2 Position	1	
619	4460267	Pin, Male	5	
620	4460424	Connector, Male - 2 Position	1	
621	4460268	Pin, Female	5	
622	4460871	Socket, Female	28	
623 to 624	Not Used			
625	4460326	Connector, Male - 3 Position	1	
626	4460445	Connector, Female - 3 Position	1	
627 to 628	Not Used			
		STANDARD HARNESS COMPONENTS	Ref.	
701 to 702	Not Used			
703	See Note	Pump Harness (Note: Not Available for Purchase)	1	
703A	7007497	Plug (Pump End)	1	
703B	7007498	Plug (Engine Harness End)	1	
704	See Note	Controller Harness Assembly (Lift and Swing) (Note: Not Available for Purchase)	1	
704A	7022819	Plug, Male - 8 Position (Natural)	1	

SECTION 7 ELECTRICAL

SECTION 7 ELECTRICAL

FIGURE 7-9. HARNESS COMPONENTS INSTALLATION (WITH ADE SYSTEM) (S/N 0300064270 TO S/N 0300069000) (CONTINUED)

FIG & ITEM #	PART NUMBER	DESCRIPTION	QTY.	REV.
704B	4460871	Socket, Female	8	
705	See Note	Controller Harness/Circuit Board Assembly (Drive and Steer) (Note: Not Available for Purchase)	1	
705A	7022825	Plug, Male - 8 Position (Black)	1	
705B	4460871	Socket, Female	7	
706 to 707	Not Required			
OPTIONAL HARNESS COMPONENTS			Ref.	
801	4921928	4WS Valve Harness	1	
801A	4460268	Socket, Female	3	
801B	4460445	Connector, Female - 3 Position	1	
801C	4460499	Connector, DIN with Diode	2	
802	4921927	Jib Valve Harness (600AJ Only)	1	
802A	4460326	Plug, Male - 3 Position	1	
802B	4460267	Pin, Male	3	
802C	4460499	Connector, DIN with Diode	2	
803	0257887	Alarm Harness (Includes Alarm)	1	
803A	4460424	Plug, Male - 2 Position	1	
803B	4460268	Socket, Female	2	
804	0255917	Strobe Light Harness (Includes Strobe Light)	1	
804A	4460320	Connector, Female - 2 Position	1	
804B	4460267	Pin, Male	2	
805	0256202	AC to Platform Receptacle Components	Ref.	5
	0272433	With 7500W Generator (Sky Power)	Ref.	1
805A	0860038	Box, Switch	1	
805B	Not Required	Receptacle	1	
805C	Not Required	Shield, Cover	1	
805D	Not Required	Connector, Strain Relief	1	
805E	4460709	Plug, Male	2	
	4460959	With 7500W Generator (Sky Power)	1	
805F	4460710	Connector, Female	1	
806		Generator Electrical Components		
	4933215	110V	Ref.	1/A
	4933216	220V	Ref.	1/A
	3990010	Diode - 6 Amp (Not Shown)	1	
806A	4922641	Harness - On/Off Switch	1	
806B	4922482	Harness - Powermite Control Box to Relay	1	
807	4921957	Generator to Rear of Boom Harness (110V/220V)	1	
		Note: Harness used to connect AC at platform harness to generator receptacle to power platform receptacle.	Ref.	
	1060461	Cable, Electrical - 12/3	6ft/1.8m	
807A	Not Required	Plug, Male	1	
807B	Not Required	Receptacle, Female	1	
	4460960	With 7500W Generator (Sky Power)	1	

SECTION 7 ELECTRICAL

FIGURE 7-9. HARNESS COMPONENTS INSTALLATION (WITH ADE SYSTEM) (S/N 0300064270 TO S/N 0300069000) (CONTINUED)

FIG & ITEM #	PART NUMBER	DESCRIPTION	QTY.	REV.
808	See Note	Lights Harness (Note: Not Available for Purchase)	1	
	1060341	Cable, Electrical - 16/2	37ft/11.3m	
808A	3740049	Relay	1	
808B	4922643	Harness, Bag (Located at Ground Control Box) (Not Shown)	1	
809	2920140	Platform Worklights Harness (Includes Light and Wire Only)	2	
	2820035	Loom, Vinyl	9ft/2.8m	
	7016399	Bulb, Replacement (50 watts) (1 Per)	1	
809A	4460598	Connector, Strain Relief	1	
809B	4360232	Circuit Breaker, 15Amp	1	
810	See Note	Soft-Touch System Harness (Note: Not Available for Purchase)	1	
810A	1060341	Cable, Electrical - 16/3	16ft/4.9m	
810B	4460425	Connector, Strain Relief	1	
		TOOLS	Ref.	
901	7002821	Crimper (For Wire to Pin/Socket Connections)	1	
902	7002823	Extractor (For Removal of Pin/Socket from Connectors)	1	
903	4460467	Extractor, Pin (Blue 16-18 Gauge) (For Removal of Pin/Socket from Connectors)	1	
	4460510	Extractor, Pin (Yellow 12-14 Gauge) (For Removal of Pin/Socket from Connectors)	1	
904	7002828	Stripper, Wire	1	
905	2901443	Analyzer Kit (Not Shown) (S/N 0300064249 to S/N 0300069000)	1	
906	1001137005	Software Cable Kit (Not Shown)	1	

SECTION 7 ELECTRICAL

SECTION 7 ELECTRICAL

FIGURE 7-9. HARNESS COMPONENTS INSTALLATION (WITH ADE SYSTEM) (S/N 0300064270 TO S/N 0300069000) (CONTINUED)

FIG & ITEM #	PART NUMBER	DESCRIPTION	QTY.	REV.

**S
E
C
T
I
O
N

7

E
L
E
C
T
R
I
C
A
L**

SECTION 8 DECALS

TABLE OF CONTENTS		
FIGURE	DESCRIPTION	PAGE
8-1	DECALS INSTALLATION	8-2

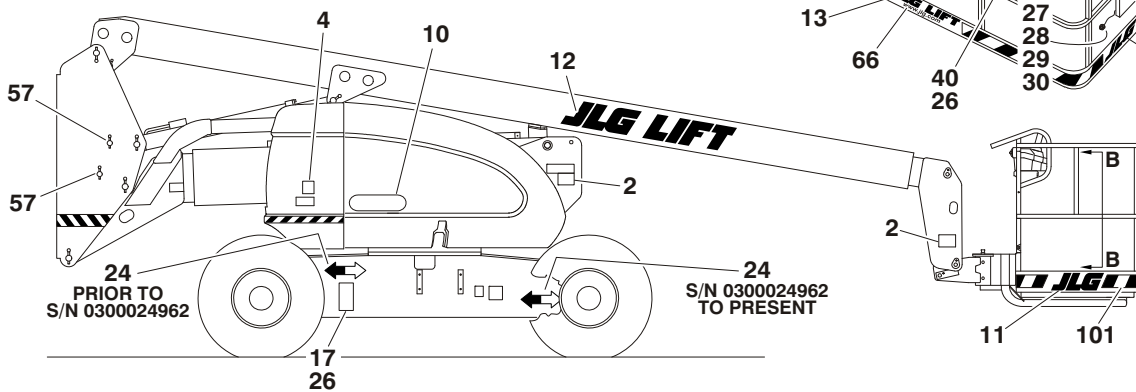
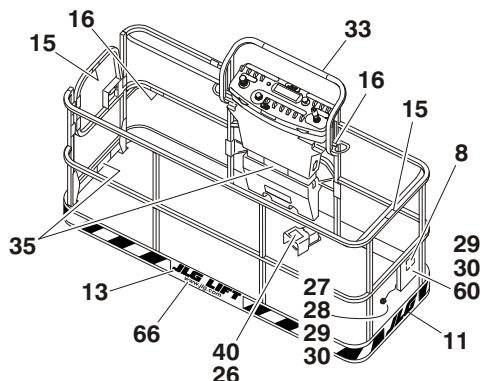
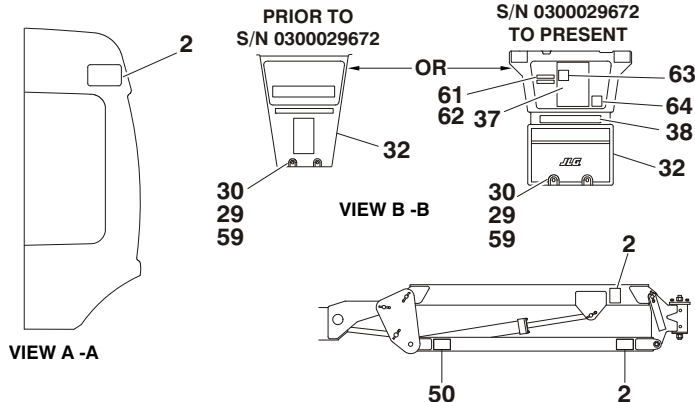
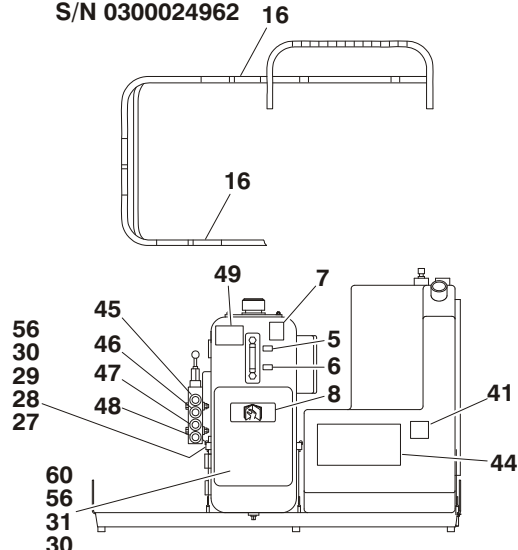
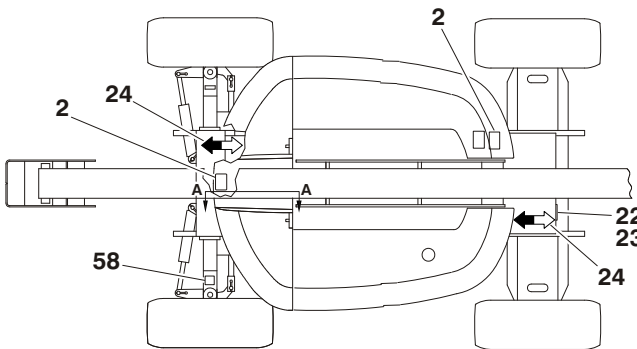
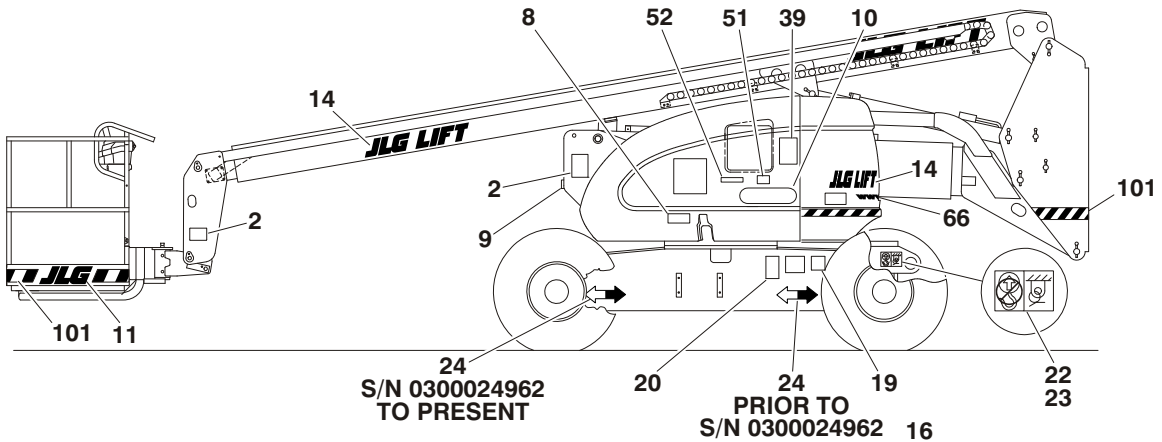
**S
E
C
T
I
O
N

8

D
E
C
A
L
S**

SECTION 8 DECALS

FIGURE 8-1.DECALS INSTALLATION



SECTION 8 DECALS

SECTION 8 DECALS

FIGURE 8-1. DECALS INSTALLATION

FIG & ITEM #	PART NUMBER	DESCRIPTION	QTY.	REV.
		DECAL INSTALLATIONS	Ref.	
	0255453	600A Common Decals	Ref.	9
	0256626	600A Australian Spec	Ref.	7
	0256282	600A Dutch Spec	Ref.	4
	0256279	600A French Spec	Ref.	5
	0256280	600A German Spec	Ref.	4
	0256281	600A Italian Spec	Ref.	4
	0256283	600A Spanish Spec	Ref.	4
	0256278	600A UK English Spec	Ref.	6
	0255457	600AJ Common Decals	Ref.	11
	0256627	600AJ Australian Spec	Ref.	7
	0256289	600AJ Dutch Spec	Ref.	4
	0256286	600AJ French Spec	Ref.	5
	0256287	600AJ German Spec	Ref.	4
	0256288	600AJ Italian Spec	Ref.	4
	0256290	600AJ Spanish Spec	Ref.	4
	0256285	600AJ UK English Spec	Ref.	6
1	Not Used			
2	1701518	*Decal - Crushing	6	
3	Not Used			
4		Decal Options:	A/R	
	Not Required	Australian Specs	0	
	1702928	Decal - CE - Dutch/French/German/Italian/ Spanish/UK Spec (Prior to S/N 0300065629)	1	
	1705084	Decal - Sound Power Level - Dutch/French/ German/Italian/Spanish/UK Spec (S/N 0300065629 to S/N 0300069000)	1	
5	1701502	*Decal - High Oil Level	1	
6	1701503	*Decal - Low Oil Level	1	
7	1701504	*Decal - Hydraulic Oil	1	
8	1701509	*Decal - Manual	2	
9		Nameplate - Voltage Options:	A/R	
	Not Required	Dutch/French/German/Italian/Spanish/UK Spec	0	
	3251242	Australian Spec (240V-50HZ)	1	
10		*Decal - Model Designation Options:	2	
	1702818	600A		
	1702819	600AJ		
11	1702773	*Decal - JLG (5in Height)	2	
12	1702861	*Decal - JLG Lift (8in Height)	2	
13	1702774	*Decal - JLG (3-1/2in Height)	1	
14	1702860	*Decal - JLG Lift (5in Height)	2	
15	Not Used			
16		*Decal - Attach Lanyard Here Options:	A/R	
	Not Required	Dutch/French/German/Italian/Spanish/UK Spec	0	
	1702612	Australian Spec (Prior to S/N 0300061066)	4	
	1704277	Australian Spec (S/N 0300061066 to S/N 0300069000)	4	

SECTION 8 DECALS

FIGURE 8-1. DECALS INSTALLATION (CONTINUED)

FIG & ITEM #	PART NUMBER	DESCRIPTION	QTY.	REV.
17	See Note	Nameplate - Serial Number (Note: Not Available for Purchase)	1	
18	Not Used			
19	See Note	Decal - Bar Code (Note: Not Available for Purchase)	1	
20	1700584	Decal - Patent	1	
21	Not Used			
22	1702300	*Decal - Tie Down/Lift	4	
23	1701500	*Decal - Tie Down/Lift	4	
24	1701529	*Decal - Arrow	4	
25	Not Used			
26		Rivet Options:	A/R	
	Not Required	UK Specs	0	
	3820001	Australian/Dutch/French/German/Italian/Spanish Specs	4	
27	0641408	Bolt 1/4in-20NC x 1in	1	
28	1060279	Cable, Lanyard	1	
29	3311401	Nut 1/4in-20NC	3	
30	4751400	Flatwasher 1/4in Regular	A/R	
31	0860520	Box, Manual Storage	1	
32		Panel, Pedestal Options:	1	
	3380423	Prior to S/N 0300029672		
	3380434	S/N 0300029672 to S/N 0300069000		
33 to 36	Not Used			
37		*Decal - Capacity Options:	1	
	1690697	Australian/French/German/Italian/Spanish/UK Spec		
	1701596	Dutch Spec		
38		*Decal - Caution Options:	1	
	1703183	Australian & UK Spec		
	1703186	Dutch Spec		
	1703184	French Spec		
	1703190	German Spec		
	1703185	Italian Spec		
	1703187	Spanish Spec		
39		*Decal - Caution Options:	1	
	1691483	Australian & UK Spec		
	1701596	Dutch Spec		
	1693289	French Spec		
	1693291	German Spec		
	1701602	Italian Spec		
	1701798	Spanish Spec		
40		*Decal - Footswitch Options:	A/R	
	3252347	Australian & UK Spec	1	
	1703518	Dutch Spec	1	
	1693292	French Spec	1	
	1693294	German Spec	1	
	1701600	Italian Spec	1	

SECTION 8 DECALS

FIGURE 8-1. DECALS INSTALLATION (CONTINUED)

FIG & ITEM #	PART NUMBER	DESCRIPTION	QTY.	REV.
40 (cont'd)	1701791	Spanish Spec	1	
41	1701505	Decal - Fuel (Diesel)	1	
42	Not Used			
43	Not Used			
44		*Decal - Instructions Options:	1	
	1702926	Australian & UK Spec		
	1702999	Dutch Spec		
	1702987	French Spec		
	1702991	German Spec		
	1702995	Italian Spec		
	1703003	Spanish Spec		
45	1702903	*Decal - #1	1	
46	1702927	*Decal - #2	1	
47	1702924	*Decal - #3	1	
48	1702925	*Decal - #4	1	
49		*Decal Options:	1	
	1702265	Australian & UK Spec		
	1702268	Dutch Spec		
	1702270	French Spec		
	1702267	German Spec		
	1702269	Italian Spec		
	1702266	Spanish Spec		
50		*Decal - Manual Descent Options:	2	
	1702908	600AJ Australian & UK Spec		
	1702998	600AJ Dutch Spec		
	1702986	600AJ French Spec		
	1702990	600AJ German Spec		
	1702994	600AJ Italian Spec		
	1703002	600AJ Spanish Spec		
51		*Decal - Manual Descent Options:	1	
	1702901	Australian & UK Spec		
	1702996	Dutch Spec		
	1702984	French Spec		
	1702988	German Spec		
	1702992	Italian Spec		
	1703000	Spanish Spec		
52 to 55	Not Used			
56	0100011	Compound, Locking	A/R	
57		Plug Options:	2	
	3520032	600A		
	3520033	600AJ		
58	1703469	*Decal - Maximum Tire Load	4	
59	0641414	Bolt 1/4in-20NC x 1-3/4in	2	
60	0641406	Bolt 1/4in-20NC x 3/4in	4	
61		*Decal - Maintenance Options:	A/R	
	1703663	Australian Spec	1	
	Not Required	Dutch/French/German/Italian/Spanish/UK Spec	0	

SECTION 8 DECALS

SECTION 8 DECALS

FIGURE 8-1. DECALS INSTALLATION (CONTINUED)

FIG & ITEM #	PART NUMBER	DESCRIPTION	QTY.	REV.
62	1703664 Not Required	*Decal - Caution Options: Australian Spec Dutch/French/German/Italian/Spanish/UK Spec	A/R 1 0	
63	1703675 Not Required	*Decal - Platform Capacity Options: Australian Spec Dutch/French/German/Italian/Spanish/UK Spec	A/R 1 0	
64	1703665 Not Required	*Decal - Danger Options: Australian Spec Dutch/French/German/Italian/Spanish/UK Spec	A/R 1 0	
65	Not Used			
66	1704885	Decal - Website (S/N 0300067890 to S/N 0300069000)	2	
	2900975*	----- Decal Kits - 600A & 600AJ (Includes Items with *asterisk):	1	
	0257734	SAFETY STRIPES INSTALLATION	Ref.	1
101	4420051	Decal - Corner Warning Stripe	20ft/6.1m	

SECTION 8 DECALS

SECTION 9 RECOMMENDED SERVICE PARTS STOCK

MODELS 600A/600AJ/n600AJ

The following list will service fleets of machines (built to current production per date on the front cover) with emergency repair parts which can be installed in the field. Parts from the list should be replaced when inventory is depleted to keep service parts stock supplied. For further information, contact your JLG dealer or the JLG Industries Parts Department.

JLG PART NUMBER	DESCRIPTION	QTY PER FLEET		
		1-10	10-20	20 OR MORE
STANDARD PARTS				
7012944	Coil (Figure 2-1 & 2-2)	1	1	1
2120150	Element Filter (Figure 2-1)	4	8	12
7016312	Switch, Indicator (Figure 2-1)	1	1	1
2120149	Element, Filter (Figure 2-1)	1	1	1
7016313	Switch, Indicator (Figure 2-1)	1	1	1
7012772	Coil (Figure 2-2 & 2-3)	1	1	1
7012768	Coil (Figure 2-2)	1	1	1
7012664	Element, Air Cleaner (Figures 2-9)	1 Dozen	1 Dozen	1 Dozen
3740067	Relay (Figures 2-9)	1	1	1
4360392	Switch, Indicator (Figure 2-9)	1	1	1
4360294	Breaker, Circuit (Figures 2-9, & 2-10)	1	1	1
8320270	Filter, Fuel (Figure 2-9)	4	8	12
7016331	Filter, Oil (Figure 2-9)	12	12	12
3740080	Relay, Bosch (Machines with Generator) (Figures 2-10)	1	1	1
7014810	Breather (Figure 2-13)	1	2	3
4360475	Switch, Mushroom (Figures 2-16 & 4-4)	1	1	1
4360470	Switch, Key (Figure 2-16)	1	1	1
2860030	Key, Replacement (Figure 2-16)	1	1	1
4360328	Switch, Toggle (Figures 2-16 & 4-4)	1	1	1
4360331	Switch, Toggle (Figures 4-2 & 4-4)	1	1	1
4360336	Switch, Toggle (Figures 4-4)	1	1	1
4360476	Contact, Switch Block (Figures 2-16 & 4-4)	1	1	1
3740049	Relay (Figures 2-16 & 7-1)	1	1	1
7016502	Power Track 1ft. Repair Section (Figure 3-3)	2	2	2
7006140	Power Track 1ft. Repair Section (Figure 3-4)	2	2	2
7006152	Power Track Pin Kit (Figures 3-3 & 3-4)	24	24	24
2940074	Latch (Figure 4-2)	1	1	1
7022818	Potentiometer (Figure 4-7)	1	1	1
7022824	Electric Assembly (Figure 4-10)	1	1	1
7019166	Switch, Micro (Figure 4-10)	1	1	1
4360387	Switch, Push Button (Figures 4-4 & 4-11)	1	1	1
2400065	Fuse, 30Amp (Figure 7-9)	2	2	2
3990010	Diode (Figure 7-9)	2	2	2

SECTION 9 RECOMMENDED SERVICE PARTS

MODELS 600A/600AJ/n600AJ

The following list will service fleets of machines (built to current production per date on the front cover) with emergency repair parts which can be installed in the field. Parts from the list should be replaced when inventory is depleted to keep service parts stock supplied. For further information, contact your JLG dealer or the JLG Industries Parts Department.

JLG PART NUMBER	DESCRIPTION	QTY PER FLEET		
		1-10	10-20	20 OR MORE

SECTION 9 RECOMMENDED SERVICE PARTS STOCK

SECTION 10 SPECIAL OPTIONS

Note: This list is to accommodate machines ordered with special equipment. Options may not be applicable to all models. For more specific parts information contact JLG Parts Department.

FIG & ITEM #	PART NUMBER	DESCRIPTION	QTY.	REV.
10-1		MISCELLANEOUS SPECIAL OPTIONS	Ref.	
		Airline to Platform Installation Options:	Ref.	
	0256342	1/2in - 600A	Ref.	
	0271475	1/2in Airline and (1) Welding Cable - 600A	Ref.	
	0258966	1/2in - 600AJ	Ref.	
		Biodegradable Hydraulic Fluid Decals Options:	Ref.	
	1702788	Decal - Biodegradable Hydraulic Fluid (All except German Spec)	1	
	1704174	Decal - Synthetic Biodegradable Hydraulic Fluid (All except German Spec)	1	
	1703479	Decal - Biodegradable Hydraulic Fluid (German Spec Only)	1	
	1704175	Decal - Synthetic Biodegradable Hydraulic Fluid (German Spec Only)	1	
	0256789	Camera Mount Assembly	Ref.	
	1282518	Capacity Rating Decal Installations	Ref.	
	0256760/0256761	600A	Ref.	
	0256769/0256772	600AJ	Ref.	
		ClearSky (Telematics) Kits	Ref.	
	1001139130	Australian Spec	Ref.	
	1001104983	CE Spec	Ref.	
		Note: Refer to ClearSky (Telematics) Manual p/n 3128499 for Serviceable Parts.	Ref.	
	0256060	Cold Weather Package - Deutz	Ref.	
	0258927	Cold Weather Package with Glow Plugs - Deutz	Ref.	
	0271333	Cold Weather Package with Glow Plugs - Deutz (With ADE System) (Prior to S/N 64249)	Ref.	
	0271912	Cold Weather Package with Glow Plugs - Deutz (With ADE System) (S/N 64249 to S/N 69000)	Ref.	
	0257157	Cold Weather Package with Ether Start - Deutz	Ref.	
		Container - Tray Storage Options:	Ref.	
	1580012	Center	1	
	1580013	Rail	1	
	0272312	Decal Installation - Tire Sealant	Ref.	
	2902203	Kit - Tire Sealant	1	

SECTION 10 SPECIAL OPTIONS

Note: This list is to accommodate machines ordered with special equipment. Options may not be applicable to all models. For more specific parts information contact JLG Parts Department.

SECTION 10 SPECIAL OPTIONS

FIG & ITEM #	PART NUMBER	DESCRIPTION	QTY.	REV.
		Filter Kits:	Ref.	
		Combined Filter Kit (Hydraulic/Air & Fuel/Engine Oil)	1	
	1001110993	Deutz Engine (Prior to S/N 0300069000)		
	2910931	Hydraulic/Air Filter	1	
	1001109692	Deutz Engine W/Noise Reduction (Prior to S/N 0300064249)		
	1001109692	Deutz Engine		
	1001110133	Fuel/Engine Oil Filter	1	
	1001110133	Deutz Engine		
	4060959	Footswitch Shield	Ref.	
	0258928	Glow Plug Installation (Deutz)	Ref.	
	0271548	Glow Plug Installation (Deutz) (With ADE System)	Ref.	
	2910100	Kit, Hose/Cable Chafe	Ref.	
		Light Installation at Control Panels	Ref.	
	0256632	CE Spec	Ref.	
	0256633	Australian Spec	Ref.	
	0257997	Load Sensing System Installation	Ref.	
	0256765/1282665	Oil Cooler Installation - Deutz	Ref.	
	0256343	Oxy-Acetylene Lines to Platform Installation	Ref.	
	0270723	Platform Beacon Installation	Ref.	
	0255398	Platform Console Cover Installation (Prior to S/N 0300067890)	Ref.	
	1670764	Cover, Console	1	
	1670784	Tear Away Sheet (10 Pack)	1	
	0258703	Platform Console Cover Installation (S/N 0300067890 to S/N 0300069000)	Ref.	
		Platform Entry Kit	Ref.	
	1001142504	Kit, Replace Swing Gate with Drop Bar	Ref.	
	1001142505	Kit, Replace Drop Bar with Swing Gate	Ref.	
	0256829	Platform Self-Closing Gate Installation	Ref.	
	0256202	Receptacle at Platform Installation	Ref.	

SECTION 10 SPECIAL OPTIONS

Note: This list is to accommodate machines ordered with special equipment. Options may not be applicable to all models. For more specific parts information contact JLG Parts Department.

FIG & ITEM #	PART NUMBER	DESCRIPTION	QTY.	REV.
		Platform Huck Fasteners Replacement Hardware	Ref.	
	7002840	Antirotation Pin Removal Tool	1	
	0641614	Bolt 1/4in-20NC x 2in	A/R	
	3311405	Locknut 1/4in-20NC	A/R	
	4711400	Flatwasher 1/4in Thin	A/R	
	3300151	Acorn Nut 1/4in-20NC	A/R	
		Sky Accessory:	Ref.	
	0272606	Plasma Cutter (Skycutter)	Ref.	
	0272607	Decal - Skycutter	Ref.	
	0272619	Sky Power - 7500W 50Hz	Ref.	
	0272589	Decal - Sky Power	Ref.	
	0272521	Welder - Stick, 250A	Ref.	
	0272588	Decal - Sky Welder	Ref.	
		Note: For Breakdown of Sky Accessories Refer to Accessory Manual p/n 3124242		
		SkyGuard Component Options:	Ref.	
	1001149560	SkyGuard Complete Add-On Kit (Non-UGM Machines)	Ref.	
	1001137672	SkyGuard Platform Sensor Kit	Ref.	
	1001143256	SkyGuard Blue Beacon Kit	Ref.	
	0272301	Tire Sealant Installation	Ref.	
		Tools for Service	Ref.	
	2901443	Analyzer Kit	1	
	8896941	Wire Stripper	1	
	7002821	Wire Crimper (To install wire ends to wires)	1	
	7002823	Pin/Socket Extractor - Universal (To Remove Pins/Sockets from Connectors)	1	
	4460467	Extractor - 16-18 Gauge (For Removal of Pin/Sockets from Deutsch Connectors)	1	
	4460510	Extractor - 12-14 Gauge (For Removal of Pin/Sockets from Deutsch Connectors)	1	
	7002822	Screwdriver, Potentiometer (To Adjust Drive Controllers)	1	
	7016654	Screwdriver, Magnetic	1	
	7004275	Seal Installation Tool - 1"	1	
	7004276	Seal Installation Tool - 1 1/2"	1	
	7002826	Seal Installation Tool - 2"	1	
	7016655	Wire Rope Sheave Gauge	1	
	7016652	Huck Bolt Faster (For Small Huck Bolts Only)	1	
	4921850	Throttle Service Harness	1	
	4922012	"Rexroth" Card Service Harness	1	
	2900838	U.S. Standards Fastener (Hardware) Kit	1	
	7014676	U.S. Standards Tool Kit	1	
	1001137005	Software Cable Kit	1	

SECTION 10 SPECIAL OPTIONS

SECTION 10 SPECIAL OPTIONS

Note: This list is to accommodate machines ordered with special equipment. Options may not be applicable to all models. For more specific parts information contact JLG Parts Department.

SECTION 10 SPECIAL OPTIONS

FIG & ITEM #	PART NUMBER	DESCRIPTION	QTY.	REV.
	7002840	Pin Removal Tool (Oscillating Axle Cam Valve)	1	
	0255385	Tool (Hydraulic) Circuit Installation - Deutz Engine 600A (Prior to S/N 0300066200)	Ref.	
	0272350	Tool (Hydraulic) Circuit Installation - Deutz Engine 600A (S/N 0300066200 to S/N 0300069000)	Ref.	
	0255901	Tool (Hydraulic) Circuit Installation - Deutz Engine 600AJ	Ref.	
	0257728	Tube Rack Installation	Ref.	
	0258918	Utility Rack Installation	Ref.	
	0256344	Weld Leads Installation	Ref.	

SECTION 11 PARTS NUMBER INDEX

Part Number	Page	Part Number	Page	Part Number	Page	Part Number	Page
00600313-9, 3-21, 3-22	0255294 2-51	02559142-61, 7-33	0256821 2-72
00600332-24, 2-30, 7-32	0255362 2-5, 2-62	0255917	2-61, 7-33, 7-41, 7-50	0256822 2-73
00600353-4, 3-21, 3-22	0255368 2-61		50	0256829 10-2
00600663-9, 3-25	0255385 10-4	02559197-4	0256847 2-34
00600683-4, 3-25	0255387 2-62	02559275-31	0257101 1-27
00600743-9, 3-21, 3-22	0255392 4-5, 7-4	02559285-31	0257157 10-1
00600763-4, 3-21, 3-22	0255393 2-61	0256060 10-1	0257160 2-37
00801632-25, 2-34	0255396 2-37	02561912-25	0257436 1-27
0080177 2-24	0255397 1-14	0256202	7-33, 7-41, 7-50, 10-2	0257482 2-49
0080241 2-61	0255398 10-2		2	0257573 3-14
01000092-55, 4-17	0255404 1-3	02562763-31	0257728 10-4
0100011	1-3, 1-5, 1-7, 1-8, 1-9, 1-11, 1-13, 1-14, 2-4, 2-13, 2-24, 2-30, 2-38, 2-49, 2-51, 2-54, 2-57, 2-61, 2-62, 2-65, 2-68, 2-72, 2-73, 3-4, 3-5, 3-10, 3-11, 3-13, 3-14, 3-17, 3-19, 3-27, 3-31, 4-13, 4-14, 4-19, 5-3, 5-5, 5-9, 5-13, 5-15, 5-17, 5-19, 5-21, 5-27, 5-29, 6-13, 8-5	0255405 1-4	02562788-3	0257734 8-6
		0255406 1-4	02562798-3	0257840 4-41
		0255407 2-68	02562808-3	0257841 4-41
		0255409 2-49	02562818-3	0257849 4-41
		0255410 2-13	02562828-3	0257850 4-41
		0255411 1-8, 1-11	02562838-3	0257853 2-37
		0255412 1-11	02562858-3	0257857 2-37
		0255413 1-5, 1-13	02562868-3	0257884 2-62
		0255414 1-8, 1-13	02562878-3	0257885 2-61
		0255415 1-7	02562888-3	0257886 2-61
		0255416 1-4	02562898-3	0257887 7-33, 7-41, 7-50
		0255417 1-7	02562908-3	0257894 3-28
		0255418 1-3	02563213-3	0257997 4-45, 10-2
		0255419 1-4	02563223-8	0258048 4-5, 7-4
		0255420 1-13	02563313-28	0258694 3-3
		0255421 1-13	02563363-28	0258695 3-8
01000191-4, 1-7, 2-13	0255422 1-14	025634210-1	0258703 10-2
01000202-24, 2-30, 4-17	0255423 3-4, 3-10, 3-13	025634310-2	0258764 1-14
0100035	3-27, 3-28, 4-13, 4-17	0255425 2-23	025634410-4	0258918 10-4
0100038	5-3, 5-5, 5-10, 5-13, 5-15, 5-17, 5-19, 5-21, 5-27, 5-29, 6-13	0255438 3-27	02563463-28, 7-2	0258927 10-1
		0255440 2-3, 3-27	02563663-31	0258928 10-2
		0255441 2-3, 3-27	0256388 1-4	0258966 10-1
		0255442 2-3, 3-27	0256391 1-4	0259233	2-55, 4-15, 4-45, 7-2
		0255443 2-3, 3-27	0256392 1-7	0270123 1-5, 1-13
0100040 4-7	0255444 2-13	0256397 1-3	0270124 1-8, 1-13
0100048	2-57, 2-61, 4-17, 7-46	0255453 8-3	0256398 1-3	0270329 2-13
		0255457 8-3	0256399 1-8, 1-11	0270723 7-3, 10-2
0100063	1-5, 1-8, 1-11, 5-3, 5-10, 5-13, 5-15, 5-19, 5-22	0255482 5-31	0256400 1-11	0270805 2-61
		0255483 5-31	0256523 1-11	0270814 4-5, 4-8, 4-19, 7-4
		0255484 5-31	0256623 1-4	0270819 7-38, 7-47
0100079 2-49	0255485 5-31	0256624 1-4	0270821 3-11, 7-38, 7-47
0100081 4-18	0255486 5-31	0256625 1-7	0270833 2-61
0140001 2-4	0255487 5-31	02566268-3	0270850 2-29
0140011 4-17	0255488 5-31	02566278-3	0271333 10-1
0140026 4-12	0255489 5-31	0256632 4-19, 10-2	0271339 3-8
01817272-23, 2-29	0255513 1-13	0256633 4-14, 4-19, 10-2	0271474	2-55, 4-15, 4-45, 7-2
0200530 2-38	0255514 1-13	0256689 2-32	0271475 10-1
0200550 4-42	0255605 1-13	0256690 2-32	0271543 4-45
0200741 2-38	0255606 1-13	0256715 1-11	0271544 2-37, 4-19
0200742 2-38	0255699 3-27	0256716 1-11	0271547 2-37, 4-19
0236632 4-14	0255854 1-11	0256717 1-11	0271548 10-2
0254798 2-13	0255855 1-11	0256757 2-29	0271550 4-19, 4-41
0255025 2-13	0255870 7-29	0256760 10-1	0271551 4-19, 4-41
0255238 3-3	0255875 2-25	0256761 10-1	0271552 2-62, 4-19
0255239 3-8	0255876 2-25	0256765 7-3, 10-2	0271608 1-13
0255262 2-51	0255878 3-11, 7-29	0256769 10-1	0271609 1-13
0255281 3-18	0255880 2-65	0256772 10-1	0271610 1-13
0255288 3-18	0255901 10-4	0256789 10-1	0271611 1-13

SECTION 11 PARTS NUMBER INDEX

Part Number	Page	Part Number	Page	Part Number	Page	Part Number	Page
0271612	1-13	0561248	3-13	0641612	1-3, 1-4, 1-8, 3-13, 4-42	0801078	3-17
0271613	1-13	0630427	3-27	0641613	2-4	0801085	3-13
0271912	10-1	0630462	4-41	0641614	2-49, 10-3	0801228	3-17
0271941	4-7	0630464	4-13, 4-17	0641616	4-45	0860038	7-33, 7-41, 7-50
0271945	4-7	0630490	1-5	0641618	3-9, 3-13, 3-17	0860520	8-4
0272070	3-5, 3-11	0630491	2-61	0641624	3-5, 3-10	0860984	4-11, 4-14
0272135	3-8	0630498	2-23, 2-29	0641628	3-14	0860986	4-11, 4-15
0272293	2-37	0630507	2-68, 2-72	0641640	3-19	0861018	2-53
0272301	10-3	0630518	2-55, 2-57	0641772	2-39	0861044	2-53
0272312	10-1	0630534	5-10, 5-15, 5-22	0641808	2-25, 2-31	0861045	2-53
0272326	3-3	0630535	5-5, 5-10, 5-17, 5-22, 5-27, 5-29	0641809	3-13	0861048	4-11, 4-15
0272350	10-4	0630536	5-13, 5-19	0641810	2-65, 3-4, 3-9, 3-10	0861083	4-11, 4-15
0272433	7-50	0630548	2-57	0641811	2-13	0861084	4-11, 4-15
0272480	2-37	0641403	3-4, 3-10, 3-14, 3-28, 3-29	0641812	2-24, 2-30, 3-5, 3-11	0861119	2-53
0272481	2-37	0641404	1-5, 2-68, 2-72, 4-12, 4-17	0641816	1-7, 2-23	0861120	2-53
0272482	2-37	0641406	2-5, 2-24, 2-61, 2-62, 2-65, 4-7, 4-12, 4-13, 4-17, 4-42, 8-5	0641818	2-30, 4-45	0861131	2-53
0272507	2-61	0641407	2-30, 2-72, 4-45, 4-46	0641820	1-3, 1-7, 2-51, 3-4, 3-10	0861134	4-11
0272521	10-3	0641408	4-7, 4-12, 4-17, 8-4	0641822	3-11	0861135	4-11
0272588	10-3	0641409	3-31	0641826	1-4, 2-31	0861136	4-11
0272589	10-3	0641414	1-3, 1-7, 2-4, 4-5, 4-8, 8-5	0642010	2-25, 2-31	0861137	4-11
0272606	10-3	0641416	2-4, 3-11, 4-17, 4-45	0642012	1-3, 1-4, 1-7, 1-8	0861302	2-53
0272607	10-3	0641418	4-4	0642018	2-13	0861407	2-57
0272619	10-3	0641424	3-27	0642612	2-62	0861412	2-57
0272626	7-47	0641505	1-27	0642682	3-5, 3-11	0861413	2-57
0272627	7-47	0641506	2-54, 2-57	0651406	2-4	0861414	4-17, 4-19
0272970	4-7	0641507	2-30	0681608	1-5, 1-8, 1-11, 3-5, 3-11	0861415	4-17
0340041	2-23, 2-25, 2-29	0641508	2-5, 2-25, 2-39, 6-6	0681610	3-4, 3-10, 3-11, 5-3	0861472	2-57
0362519	1-27	0641510	2-24, 2-30	0681612	2-39	0861473	2-57
0362529	3-18, 3-27, 3-28	0641516	3-14	0681836	2-13	0861474	4-17
0362611	3-28	0641522	1-5, 1-8, 2-4	0682016	1-13, 2-13	0861517	4-7, 4-17
0362612	3-28	0641524	4-3	0700808	2-30	0861537	4-17, 4-19
0370035	5-13	0641532	3-5, 3-10	0700810	2-24, 2-25, 2-34	0902109	2-51
0400075	2-23, 2-29	0641542	1-14	0700819	2-39	0902206	2-62
0440018	1-5	0641604	5-27	07008810	2-24, 2-25, 2-34	0902217	2-25
0440019	1-5	0641605	3-4, 3-10	0700819	2-39	0902219	2-68, 2-72
0440161	1-5, 1-8, 1-11	0641606	2-24, 2-31, 2-68, 2-73, 3-10, 3-13, 3-17, 3-19, 4-12	0701010	4-45	0902237	2-68
0440207	2-13	0641607	3-4, 3-9, 3-14, 3-17, 3-31	0701012	2-25, 2-31	0902242	2-68, 2-72
0460150	5-31	0641608	1-3, 1-5, 1-7, 1-8, 1-11, 1-27, 2-4, 2-68, 2-72, 3-13, 3-17, 3-31	0701015	2-25, 2-31	0902243	2-23, 2-30
0460151	5-31	0641609	2-65	0701414	2-24, 2-30	0902313	2-68
0460152	5-31	0641610	1-8, 1-11, 2-24, 2-30, 2-38, 3-13, 3-17, 4-7, 4-12, 4-17	0711414	2-38	0902335	2-73
0460154	5-31	0641611	2-51, 3-10, 3-31	0721003	4-13, 4-15, 4-19	0902511	2-30
0460155	5-31			0721004	2-24, 2-54, 4-13	0902520	2-51
0460157	5-31			0721005	2-30, 2-54	0902751	4-17
0460159	5-31			0721006	2-39, 2-55, 2-68, 2-72	0920083	2-17
0460160	5-31			0721010	4-13	0920084	1-13, 1-19
0460161	5-31			0731005	4-41	0920109	2-13, 2-17
0461614	3-10			0741606	2-61	0920110	1-13, 1-19
0480050	2-38			0741607	3-9	0920117	1-13, 1-20
0480111	2-38			0801019	3-3, 3-8, 3-13	0920119	1-13, 1-20, 2-13, 2-18
0480119	2-38			0801020	3-13	0940038	4-41
0480121	2-38			0801021	3-13	0940049	2-68, 2-73
0540078	3-31			0801022	3-3, 3-17	0940070	2-23, 2-29
0540083	3-31			0801023	3-17	0940071	2-68, 2-72
0540099	3-31			0801025	3-8, 3-17	0961127	7-34
0540104	3-31			0801026	3-17	0961845	4-4
0540107	3-31			0801027	3-17	0961890	5-3, 5-25
0561076	3-4, 3-10			0801027	3-17	0961893	5-5, 5-9, 5-15, 5-21
0561185	3-13, 3-17			0801066	3-17	0961894	5-5, 5-9, 5-21
0561237	3-11						

SECTION 11 PARTS NUMBER INDEX

Part Number	Page	Part Number	Page	Part Number	Page	Part Number	Page
0961896	5-27, 5-29	1060515	7-28	1600317	4-17, 4-27	1683267	5-21
0961897	5-17	1060516	7-29	1600318	4-17, 4-37	1683269	5-21
0961898	5-13	1060603	7-29	1600327	2-57	1683271	3-3, 5-5
0961899	5-19	1060637	2-25, 2-31	1660184	2-25	1683272	5-5
0961947	3-10, 5-5, 5-9, 5-15, 5-21	1060709	7-29	1660219	2-51	1683274	5-5, 5-9
0961948	1-5, 1-8, 1-11, 3-4, 3-10, 3-17, 5-17	1060896	7-38, 7-39, 7-47	1660219RR	2-51	1683280	1-3, 1-7, 5-3
0961949	3-4, 3-10, 3-13, 5- 13, 5-19	1060902	7-39, 7-47	1660223	2-51	1683281	5-3
0961950	1-3, 1-4, 1-7, 1-8	1060918	4-8, 4-17, 7-46	1660223RR	2-51	1683283	5-3
0961951	3-4, 3-10, 3-17, 5-5, 5-9, 5-21	1060945	7-47	1660234	2-23, 2-25, 2-34	1683288	3-3, 3-8, 5-19
0961977	5-25	1100098	1-3, 1-7	1670752	1-8, 1-11	1683289	5-19
0961986	2-24, 2-30	1120460	1-5	1670764	10-2	1683291	5-19
0962005	1-5, 1-8, 1-11	1120487	2-49	1670767	2-68, 2-72	1683294	3-3, 3-8, 5-17
0962051	2-65	1180336	3-18	1670768	3-17	1683295	5-17
0962180	4-45	1180339	3-13	1670769	3-11	1683297	5-17
0962272	1-5, 1-8, 1-11	1220022	4-14	1670770	2-68	1683299	3-3, 3-8, 5-13
0962335	3-10	1220023	4-14	1670777	1-14	1683300	5-13
0962336	5-15	1220096	4-19	1670784	10-2	1683302	5-13
0962474	5-3	1220102	4-19	1670785	4-41	1683304	1-4, 1-11, 5-25
1001099835	3-13, 3-14	1260017	2-13	1670786	4-41	1683307	3-17, 5-27
1001099836	3-18	1260136	4-42	1670787	4-41	1683308	5-27
1001100321	2-37	1282396	6-14	1670788	4-41	1683310	5-27
1001104983	10-1	1282398	2-13	1670789	4-41	1683312	3-13, 5-29
1001107153	3-18	1282474	7-2, 7-4	1670791	4-41	1683313	5-29
1001109692	10-2	1282490	5-31	1670793	4-41	1683314	5-29
1001110133	10-2	1282518	10-1	1670795	4-41	1683317	3-17, 5-27
1001110993	10-2	1282520	7-33	1670796	4-41	1683318	5-27
1001113961	4-37	1282571	7-2	1670797	4-41	1683320	5-27
1001117320	4-7	1282665	7-3, 10-2	1670798	4-41	1683333	5-5, 5-9
1001118416	4-17, 4-37, 4-38	1282672	7-2	1670799	4-41	1683415	3-3, 5-9
1001118417	4-17, 4-27	1282685	7-2, 7-4	1670801	4-41	1683416	5-9
1001129555	4-17, 4-28	1282828	7-2	1670803	4-41	1683418	3-8, 5-9
1001137005	7-42, 7-51, 10-3	1282937	7-2, 7-4	1670804	4-41	1683419	5-9
1001137672	10-3	1320016	2-23, 2-29	1670819	3-27	1683949	5-21
1001139130	10-1	1320019	2-25	1670820	3-28	1683952	5-9
1001142504	10-2	1320022	2-24, 2-30	1670824	3-28, 3-29	1683962	5-21
1001142505	10-2	1320031	2-31	1670829	2-54, 2-57, 4-13, 4- 17	1683963	5-9
1001143256	10-3	1320040	4-42	1670836	3-17	1683972	5-21
1001144023	4-7	1320060	2-25, 2-31, 4-12	1670900	4-45	1683973	5-21
1001144024	4-7	1320095	4-12	1671037	4-18	1683976	5-9
1001144629	4-7	1320131	2-31	1671216	2-72	1683977	5-9
1001145405	4-7	1320176	2-32	1671243	2-68	1684001	5-17
1001149560	10-3	1320222	2-24, 2-31	1683053	5-5, 5-9, 5-15, 5-21	1684005	5-17
1001151542	3-14	1320223	2-24, 2-31	1683054	5-27, 5-29	1684014	5-13
1001151586	3-14	1320229	3-4, 3-10	1683055	5-5, 5-9, 5-21	1684015	5-13
1060012	7-28	1320243	3-4, 3-10	1683057	5-3	1684017	5-19
1060016	3-28, 7-29	1340056	2-23	1683061	5-17	1684019	5-19
1060279	8-4	1340060	2-29	1683067	5-13	1684090	5-15
1060330	4-17, 4-42, 7-35, 7- 38	1380136	2-4	1683069	5-19	1684092	5-15
1060341	4-42, 7-34, 7-35, 7- 42, 7-51	1380147	2-65	1683208	1-4, 1-8, 1-11, 5-25	1684498	3-3, 3-8, 5-13
1060461	7-29, 7-34, 7-38, 7- 39, 7-42, 7-47, 7-50	1580012	4-8, 10-1	1683253	3-8, 5-5	1690697	8-4
1060494	7-29, 7-34, 7-41	1580013	4-8, 10-1	1683254	5-5	1691483	8-4
		16000318	4-38	1683256	5-21	1693289	8-4
		1600218	4-12	1683258	3-9, 5-15	1693291	8-4
		1600239	4-11, 4-31	1683259	5-15	1693292	8-4
		1600242	4-11	1683261	5-15	1693294	8-4
		1600283	4-11, 4-35	1683263	3-8, 5-21	1700584	8-4
		1600284	4-11, 4-25	1683264	5-21	1701500	8-4
		1600312	2-57	1683266	3-3, 5-21	1701502	8-3
		1600313	4-17			1701503	8-3

SECTION 11 PARTS NUMBER INDEX

Part Number	Page	Part Number	Page	Part Number	Page	Part Number	Page
1701504	8-3	1703084	4-14, 4-19	2180344	2-13	2220618	6-11
1701505	2-25, 2-31, 8-5	1703085	4-14, 4-19	2180380	6-13	2220619	6-9, 6-11
1701509	8-3	1703090	4-12	2180536	2-24, 2-30	2220622	6-5
1701518	8-3	1703091	4-13	2180724	6-13	2220628	6-12
1701529	8-4	1703092	4-13	2180798	2-23, 2-29	2220635	6-9, 6-12
1701596	8-4	1703093	4-13	2200222	2-49	2220646	6-11
1701600	8-4	1703162	2-23, 2-29	2220001	2-13	2220654	6-12
1701602	8-4	1703183	8-4	2220235	6-3, 6-5	2220657	6-12
1701791	8-5	1703184	8-4	2220250	2-24, 2-30	2220671	6-5
1701798	8-4	1703185	8-4	2220273	2-24, 2-30	2220710	6-3
1702265	8-5	1703186	8-4	2220313	2-24, 2-30	2220738	6-6
1702266	8-5	1703187	8-4	2220362	6-3, 6-5	2220794	2-25, 2-31
1702267	8-5	1703190	8-4	2220363	6-3	2220800	6-6
1702268	8-5	1703403	1-27	2220365	6-3, 6-5	2220810	6-11
1702269	8-5	1703404	1-27	2220366	6-11	2220833	6-5, 6-6
1702270	8-5	1703444	1-27	2220371	6-3, 6-5, 6-9, 6-12	2220873	6-11, 6-13
1702300	8-4	1703450	1-27	2220372	6-12	2220883	5-10, 5-13, 5-15, 5-17, 5-19, 5-29
1702537	2-53	1703467	2-53, 2-57	2220373	6-3, 6-13	2220885	5-3, 5-5, 5-9, 5-15, 5-22, 5-27
1702563	4-8, 4-11	1703468	2-53, 2-57	2220374	6-12	2220886	5-13
1702564	4-11, 4-17	1703469	8-5	2220375	6-3, 6-5, 6-11	2220888	5-19
1702565	4-11, 4-17	1703479	10-1	2220376	6-11	2220893	2-4
1702566	4-11, 4-17	1703518	8-4	2220377	6-3, 6-5, 6-11	2220899	6-12
1702567	4-11, 4-17	1703534	6-13	2220379	6-11	2220909	6-5
1702610	2-54, 2-57	1703622	2-55	2220381	6-12	2220914	6-6
1702612	8-3	1703663	8-5	2220385	6-9, 6-11	2220921	6-12
1702633	2-53	1703664	8-6	2220414	6-11	2220923	6-12
1702676	4-8, 4-11, 4-17	1703665	8-6	2220415	6-5, 6-9, 6-11	2220947	6-13
1702740	1-14	1703675	8-6	2220416	6-11	2220974	6-12
1702773	8-3	1703791	4-45	2220428	6-11	2220998	6-13
1702774	8-3	1703801	4-45	2220429	6-11	2220999	6-12
1702788	10-1	1704174	10-1	2220435	6-3, 6-6	2221036	6-13
1702818	8-3	1704175	10-1	2220451	2-23, 2-30, 6-3	2221053	6-13
1702819	8-3	1704260	4-13, 4-17	2220459	2-24, 2-30	2221065	6-12
1702860	8-3	1704277	8-3	2220466	6-3, 6-5, 6-6, 6-9, 6-11	2400065	7-39, 7-48, 9-1
1702861	8-3	1704885	8-6	2220468	6-12	2400066	7-39, 7-48
1702901	8-5	1705084	8-3	2220472	6-11	2420172	2-54, 2-57
1702903	8-5	1705132	2-58, 4-18	2220473	6-3, 6-5, 6-13	2420203	2-38
1702908	8-5	1705325	2-39	2220490	6-3, 6-5, 6-9	2460011	2-37
1702924	8-5	1840012	2-53	2220497	6-11	2460013	2-37
1702925	8-5	1840013	2-53	2220498	6-12	2460032	2-37
1702926	8-5	1840014	2-53	2220500	6-5, 6-12	2460034	2-37
1702927	8-5	1840015	2-53	2220501	6-3, 6-6	2460039	2-37
1702928	8-3	1870044	7-4	2220502	6-6, 6-12	2460049	2-37
1702938	4-19, 4-42	1870050	7-4	2220504	6-3, 6-6, 6-9	2560122	2-4
1702984	8-5	1870059	7-4	2220507	6-3, 6-6	2560123	2-4
1702986	8-5	1870071	7-4	2220510	6-12	2560136	4-11, 4-17
1702987	8-5	1870132	7-4	2220511	6-12	2600211	4-14, 4-19
1702988	8-5	2000132	2-23, 2-26	2220511	6-12	2600219	4-4
1702990	8-5	2000146	2-29, 2-32	2220550	6-6	2600281	4-7
1702991	8-5	2000173	2-29, 2-33	2220567	6-11	2600287	4-4
1702992	8-5	2000189	2-29, 2-33	2220568	6-5	2660071	3-31
1702994	8-5	2060025	2-23, 2-29	2220574	6-12	2660082	3-31
1702995	8-5	2080040	4-3, 4-7	2220578	6-11	2660099	3-31
1702996	8-5	2080044	3-10	2220582	6-3, 6-6, 6-9, 6-11	2660105	3-31
1702998	8-5	2120145	2-4	2220596	6-5, 6-12	2660109	3-31
1702999	8-5	2120146	2-3	2220602	6-6, 6-11	2680423	2-68, 2-72
1703000	8-5	2120149	2-4, 9-1	2220603	6-9, 6-13	2680424	2-68, 2-72
1703002	8-5	2120150	2-3, 9-1	2220605	6-5		
1703003	8-5	2160002	2-13	2220609	6-12		

SECTION 11 PARTS NUMBER INDEX

Part Number	Page	Part Number	Page	Part Number	Page	Part Number	Page
2680433	2-68, 2-72	2752618	6-13	2820031	2-39, 7-29	2940074	4-4, 4-7, 9-1
2680434	2-68, 2-72	2752620	6-3, 6-6	2820035	4-5, 4-8, 7-35, 7-42, 7-51	2940088	2-68, 2-72
2680440	2-72	2752635	6-11			3	3-1
2680441	2-72	2752636	6-12	2820076	2-73	3010088	4-42
2720058	2-25, 2-31	2752650	6-13	2820077	2-73	3020021	2-25, 2-34
2720271	2-24, 2-30	2752655	6-11	2820078	2-73	3124025	4-45
2720351	2-24, 2-30	2752656	6-11	2820082	2-73	3124242	10-3
2720397	2-23, 2-29	2752723	6-11	2820083	2-73	3160200	2-13, 2-21
2720398	2-23, 2-29	2752724	6-11	2840016	2-65	3160204	1-13, 1-25
2720423	2-31	2752783	6-12	2840018	2-65	3160205	1-13, 1-23
2720434	2-30	2752807	6-5	2860012	2-39	3160273	2-13, 2-21
2720449	2-30	2752813	6-3, 6-5	2860030	2-53, 2-57, 9-1	3200362	2-31
2740063	7-2	2752814	6-3	2890245	1-5	3200378	2-23, 2-29
2750532	2-24, 2-30	2752823	6-9	2900708	2-3	3200386	3-31
2750756	6-5	2752824	6-9	2900752	2-42, 2-43, 2-44	3200387	3-31
2750770	6-5	2752889	6-6	2900766	1-19, 1-20, 2-17, 2-18	3200388	3-31
2750790	6-5	2752890	6-5			3200389	3-31
2750900	6-9	2752899	6-5	2900767	1-20, 2-18	3200390	3-31
2751013	6-5, 6-9	2752912	6-6	2900768	1-19, 1-20, 2-17, 2-18	3200393	3-31
2751017	6-5	2752919	6-5			3200394	3-31
2751020	6-9	2752920	6-9	2900770	2-3, 3-22, 5-3, 5-17, 5-29	3200395	3-31
2751032	2-13	2752928	6-11			3200396	3-31
2751396	6-6	2752929	6-11	2900788	1-25	3200397	3-31
2751427	6-5	2752939	6-12	2900792	5-5, 5-9, 5-13, 5-15, 5-17, 5-19, 5-29	3200407	3-31
2752245	6-3	2752962	6-9			3200408	3-31
2752249	6-5	2752966	6-3, 6-5	2900826	2-43, 2-44	3220100	2-25
2752258	6-3	2752970	6-3, 6-6	2900827	2-42, 2-43, 2-44	3220101	2-25
2752324	6-3	2752985	6-13	2900838	10-3	3220103	2-32
2752341	6-13	2752987	6-13	2900975	8-6	3220104	2-32
2752343	6-13	2752988	6-13	2901273	5-17	3250872	1-27
2752349	6-5	2752989	6-13	2901278	5-27, 5-29	3251102	2-39, 4-19
2752354	6-3	2752990	6-13	2901285	5-13	3251242	8-3
2752356	6-13	2752991	6-12	2901301	5-6, 5-10, 5-22	3252347	8-4
2752398	6-5, 6-6	2753046	6-13	2901303	5-6, 5-10, 5-15, 5-22	3272605	3-5, 3-11, 3-21
2752434	6-12	2753047	6-13	2901321	5-3	3290801	2-24
2752444	6-13	2753052	6-12	2901322	5-19	3300106	1-5, 1-13
2752453	6-13	2753055	6-12	2901358	2-24, 2-31	3300143	4-45
2752459	6-3	2753056	6-12	2901392	2-23, 2-29	3300151	4-4, 10-3
2752462	6-12	2753132	6-11	2901443	7-51, 10-3	3300205	2-54, 2-57
2752466	6-12	2753133	6-11	2901557	4-45	3300353	4-18
2752468	6-12	2753134	6-12	2901763	2-8	3300390	2-54
2752469	6-12	2753135	6-12	2901811	4-45	3300393	4-3
2752473	6-3, 6-5	2760105	2-54, 2-57, 4-11, 4-17	2901811	4-45	3300408	2-55, 2-57, 4-17
2752484	6-13			2902203	10-1	3310601	2-54, 2-55, 2-65
2752497	6-12	2780205	2-13, 2-15	2910000	2-24, 2-30, 7-32	3310801	3-27
2752500	6-11	2780212	1-5	2910001	7-32	3310805	2-4, 3-27
2752506	6-11	2780213	1-13, 1-17	2910100	10-2	3311001	2-54, 2-68, 2-72, 4-7, 4-13, 4-19
2752516	6-11	2792177	6-14	2910931	10-2		
2752519	6-11	2792188	6-11, 6-14	2915014	2-57	3311005	2-24, 2-39, 2-62, 2-72, 4-5, 4-13, 4-15
2752573	6-5, 6-11	2792189	6-11, 6-14	2915087	2-13		
2752579	6-12	2792191	6-14	2920110	2-62		
2752591	6-11	2792192	6-14	2920113	2-62		
2752592	6-5, 6-13	2792193	6-3, 6-14	2920129	2-54, 4-13, 4-14, 4-17, 7-28, 7-30, 7-39, 7-46, 7-48	3311401	2-57, 3-17, 3-31, 4-12, 4-45, 4-46, 8-4
2752593	6-5, 6-13	2792194	6-14				
2752600	6-11	2792195	2-5, 6-5, 6-14	2920130	2-61	3311405	2-4, 2-5, 2-24, 2-30, 2-62, 2-65, 2-72, 3-27, 4-5, 4-8, 4-12, 4-17, 4-42, 10-3
2752601	6-12	2792196	6-14	2920140	4-5, 4-8, 7-35, 7-51		
2752602	6-3, 6-5	2792230	6-9, 6-14	2920162	2-38		
2752603	6-12	2792315	6-14	2920214	2-61		
2752604	6-11	2792405	6-14	2920215	2-61		

SECTION 11 PARTS NUMBER INDEX

Part Number	Page	Part Number	Page	Part Number	Page	Part Number	Page
33115012-4, 2-73, 4-41	34224773-8	35200328-5	37300997-30
3311505	.1-5, 1-8, 2-4, 2-24, 2-25, 2-30, 2-68, 2-72, 3-5, 3-10, 4-3	34224893-4	35200332-73, 8-5	3740049	2-54, 2-55, 2-57, 4- 13, 4-15, 7-3, 7- 4, 7-34, 7-42, 7- 48, 7-51, 9-1
3311601	2-49, 2-68, 2-73, 4- 14, 4-19	34224921-8, 1-11	35200352-58	3740057	2-55, 4-13, 4-15, 7-4
3311605	..1-8, 1-11, 2-24, 2- 30, 2-39, 2-65, 2-68, 2-72, 3-10, 3-14, 3-19, 4-8, 4-13, 4-17, 4-42	34225302-65	35200542-54	37400582-55, 4-12, 7-2
33117052-39	34225322-31	35200724-3, 4-7	37400632-55, 4-12
3311801	1-13, 2-25, 2-31, 3- 27	34225332-24	35201734-14	3740066	2-55, 4-13, 4-15, 7-4
3311805	2-23, 2-30, 2-51, 2- 68, 2-72, 3-4, 3- 5, 3-10, 3-11, 4- 45	34225531-27	35201742-55, 4-19	37400672-23, 2-29, 9-1
33134031-5	34225583-9	35300724-41	37400802-39, 9-1
33210052-30	34225593-9	35360894-5, 4-8	37401122-54
33234031-5	34225603-9	35373182-13	37401134-13
33406085-27	34225613-9	35374162-23, 2-29	37401154-13
33407053-13, 3-17	34225633-9	35374172-23, 2-29	37601333-17
33407563-13, 3-17	34225653-3	35374202-23, 2-29	37601702-13
33407643-18	34225663-8	35374452-65	3760368	5-5, 5-9, 5-15, 5-21, 5-29
33407653-19	34225713-3, 3-8	35376912-23	3760369	..5-3, 5-5, 5-9, 5-21
33407873-19	34225723-3, 3-8	3538047	..1-3, 1-4, 1-7, 1-8	37603705-17
33408713-13, 3-17	34225733-3, 3-8	35382475-27	37603725-13
33408813-13, 3-17	34225753-3, 3-8, 3-13	35387242-23	37603845-19
33804238-4	34225763-3, 3-8	35387583-18	3790012	..2-62, 4-8, 4-12, 4- 14, 4-18, 4-19
33804282-30	34225773-3	35387715-27	37901094-14
33804344-8, 8-4	34225783-3	35388194-11	37901103-22
34205921-27	34225793-8	35390553-28	37901522-24, 2-31
34214531-27	34225803-4	35392192-54, 2-57	3820001	1-27, 2-62, 3-31, 8-4
34215652-13	34225823-4	35392283-14	3841143	1-3, 1-5, 1-7, 1-8, 1- 11, 2-23, 2-29, 3-4, 3-9
34223251-4	34225833-9	35392363-14	38412033-4, 3-9, 3-13
34224193-9	34225901-8, 1-11	35392754-13, 4-15	38412581-3, 1-4, 1-7
34224203-9	34225921-3, 1-4, 1-7	35392812-61	38412621-4
34224213-9	34228021-8, 1-11	35394123-14	38412631-4
34224223-9	34228603-9	35396621-27	38412851-8, 1-11
3422426	1-3, 1-5, 1-7, 1-8, 1- 11	34228613-9	35396854-5	38412911-11
34224271-4	34228673-9	35397194-41	38412953-14
34224291-5, 1-8, 1-11	34308162-65	35397793-4, 3-10	38413291-27
34224301-5, 1-8, 1-11	34503044-19	35398722-29	38413403-10, 3-17
34224311-3, 1-7	34503063-14	35398771-4, 1-7	38413473-14
34224323-9	34503063-14	35398791-4, 1-8	39001415-15
34224343-3	34504042-65	35399232-72	39001663-4
34224353-8	34506063-14	35399232-72	39002074-3
34224403-9	34506063-14	35399303-5, 3-10	39002244-14, 4-19
34224423-3, 3-8	34508101-5	35399562-31	39002322-68, 2-72
34224433-3, 3-8	34510121-5	35399562-31	39002393-4, 3-10
34224443-3, 3-8	34801885-5, 5-9, 5-21	35399712-29	39002682-54, 2-57
34224482-23, 2-29	34802065-13	35399882-73	39106082-54, 2-55, 2-65
34224523-3, 3-8	3480210	5-5, 5-9, 5-15, 5-21	35702703-14	39106102-65, 4-11
34224523-3, 3-8	34802115-17	35702773-14	39108042-55, 2-57
34224533-3	34802125-27, 5-29	35703743-5, 3-10	39108062-4
34224533-3	34802165-19	35703753-14	39110084-7
34224543-3	35104994-3	35707404-45	39110164-5
34224573-17	35105004-3	35801342-37, 2-38	39110402-62
		35105374-3	35801582-37	39308163-27, 3-28
		35105384-3	35802762-38	39308243-27
		35105424-3	36001642-23, 2-42	39314083-27
		35105434-3	36002422-23, 2-29, 2-47	39314124-12
		35107284-3	36002432-3		
		35107514-3	36002602-23, 2-29, 2-42		
		35107634-3	36200332-23, 2-29		
		35107644-3	36404932-55, 7-2		
		35108224-7	36409702-54, 4-15		
		35108334-7	36411824-15		
		35200262-55	37000102-54, 4-13		
		3520028	2-38, 2-39, 4-12, 4- 17	37300227-30		
				37300237-30		

SECTION 11 PARTS NUMBER INDEX

Part Number	Page	Part Number	Page	Part Number	Page	Part Number	Page
3931430	3-27	4130331	1-8, 1-11	4460071	4-8, 4-12, 4-18, 7-38, 7-46	4460466	7-29, 7-38, 7-39, 7-47
3931448	5-27	4130340	1-5	4460125	7-34, 7-41	4460467	4-12, 7-35, 7-42, 7-51, 10-3
3931516	5-5, 5-9, 5-15, 5-21, 5-27, 5-29	4130341	1-4	4460134	7-34	4460470	2-57, 4-13, 4-18, 7-29, 7-38, 7-46, 7-48
3931620	2-23, 2-30, 5-5, 5-9, 5-21	4160143	2-68, 2-72	4460190	7-34, 7-41	4460471	2-57, 4-13, 4-18, 7-29, 7-38, 7-46, 7-48
3931672	4-14, 4-19	4160152	2-68, 2-72	4460205	7-34	4460473	7-29, 7-38, 7-39, 7-47
3931720	5-17	4220162	2-61, 2-62	4460224	7-30, 7-32	4460488	2-57, 4-18
3931860	2-13	4220165	4-5	4460225	7-28, 7-30, 7-31, 7-38, 7-46	4460499	2-8, 2-11, 7-31, 7-33, 7-41, 7-50
3932032	5-13	4220168	4-5	4460226	4-18, 4-46, 7-46, 7-48, 7-49	4460502	7-29
3932224	2-13	4240018	4-15	4460227	4-18, 7-38, 7-46, 7-48, 7-49	4460503	4-15, 7-29
3932240	5-19	4240032	2-61, 2-62, 4-15	4460233	7-34	4460508	7-28, 7-29, 7-38, 7-39, 7-46, 7-47
3960098	1-5	4240099	4-5, 4-8	4460234	2-55, 2-61, 2-62	4460509	7-29, 7-38, 7-39, 7-47
3960389	2-29, 2-68, 2-72	4240102	2-49	4460265	4-22, 4-25, 4-32, 7-28, 7-32	4460510	4-12, 7-35, 7-42, 7-51, 10-3
3960407	2-24, 2-31	4240112	2-49	4460266	4-22, 4-25, 4-32, 7-32, 7-33	4460526	2-54, 2-55, 2-57, 7-48
3960418	2-68, 2-73	4280295	2-49	4460267	4-22, 4-25, 4-32, 7-28, 7-30, 7-31, 7-33, 7-40, 7-41, 7-49, 7-50	4460536	7-29, 7-31, 7-39
3960438	2-72	4300097	1-13	4460268	4-22, 4-25, 4-32, 7-30, 7-31, 7-32, 7-33, 7-40, 7-41, 7-49, 7-50	4460539	7-29, 7-31, 7-39
3960447	2-68	4300120	1-13	4460320	7-31, 7-33, 7-40, 7-41, 7-49, 7-50	4460589	7-32
3960461	2-62	4340678	4-11, 4-18	4460326	7-31, 7-33, 7-40, 7-41, 7-49, 7-50	4460591	7-32, 7-33
3960462	2-68, 2-72	4340684	4-11, 4-18	4460418	7-28, 7-30, 7-38, 7-39, 7-46, 7-48	4460598	4-5, 4-8, 4-19, 7-35, 7-42, 7-51
3960467	2-73	4360031	4-7, 4-13, 4-18	4460419	7-28, 7-30, 7-38, 7-39, 7-46, 7-48	4460600	2-54, 4-15, 7-4
3960468	2-31	4360057	4-41	4460424	7-31, 7-33, 7-40, 7-41, 7-49, 7-50	4460601	2-54, 4-15
3960469	2-31	4360232	4-12, 4-19, 7-42, 7-51	4460425	4-42, 7-35, 7-42, 7-51	4460602	2-54, 4-15
3990001	7-30	4360282	2-54, 4-12	4460426	2-54, 2-57, 7-48	4460603	2-54, 4-15
3990010	7-28, 7-30, 7-34, 7-41, 7-48, 7-50, 9-1	4360289	2-53, 4-12	4460428	2-54, 3-27, 3-28, 4-13, 4-15, 4-18, 4-42, 7-29, 7-35, 7-38, 7-46	4460607	2-54, 2-55, 4-15, 7-2
3990109	4-45	4360294	2-24, 2-31, 2-39, 9-1	4460434	7-46, 7-48	4460608	7-32, 7-33
4060802	2-39, 4-19	4360314	2-54, 4-12, 4-14	4460442	7-35	4460611	2-24, 2-31
4060803	4-5	4360319	2-53	4460445	7-31, 7-32, 7-33, 7-40, 7-41, 7-49, 7-50	4460613	4-15, 7-29
4060804	2-4, 2-25, 3-19	4360322	3-27, 3-28	4460449	7-32	4460614	7-29
4060805	2-25, 2-31, 3-17	4360328	2-57, 4-18, 9-1	4460457	7-32, 7-40, 7-49	4460708	4-18, 7-46, 7-48
4060807	2-4	4360331	4-8, 4-12, 4-14, 4-18, 9-1	4460458	7-32, 7-40, 7-49	4460709	7-34, 7-41, 7-50
4060808	1-5, 1-9, 3-13	4360336	2-39, 2-62, 4-14, 4-19, 9-1	4460460	7-32, 7-40, 7-49	4460710	7-41, 7-50
4060906	2-54, 2-57	4360345	4-12	4460464	4-18, 7-28, 7-29, 7-31, 7-38, 7-39, 7-46, 7-47, 7-48	4460711	2-55
4060907	2-61	4360387	4-11, 4-18, 4-19, 4-42, 9-1	4460465	7-29, 7-31, 7-38, 7-39, 7-47	4460720	7-28
4060918	2-4	4360392	2-23, 2-29, 9-1			4460721	7-28
4060959	10-2	4360395	2-53, 4-12			4460761	4-18, 7-46, 7-49
4070863	3-13, 3-17	4360407	4-11, 4-18			4460777	7-32
4070864	3-13, 3-17	4360416	2-5, 2-62				
4070878	1-3, 1-4, 1-7, 1-8	4360436	2-49				
4070879	1-3, 1-4, 1-7, 1-8	4360470	2-53, 2-57, 9-1				
4070897	3-13, 3-17	4360475	2-53, 2-57, 4-12, 4-18, 9-1				
4070898	3-13, 3-17	4360476	2-54, 2-57, 4-12, 4-18, 9-1				
4070929	3-13, 3-17	4360542	2-38				
4070932	3-19	4360578	3-27, 3-28				
4070944	1-4, 1-7	4400372	2-49				
4070945	1-4, 1-7	4400373	2-49				
4070987	2-55, 2-57	4400399	2-49				
4070991	2-55	4420038	2-49, 2-54				
4100025	2-25	4420051	8-6				
4120012	2-55, 4-15, 7-4	4420055	4-4				
4120013	2-55, 4-15, 7-2	4420060	3-18, 3-28, 3-29				
4120035	2-54, 4-14, 7-28, 7-30, 7-38, 7-40, 7-46, 7-48	4460023	2-39				
4130325	1-4	4460027	2-38, 7-34, 7-41				
4130326	1-5	4460042	4-5, 4-18				
4130330	1-8, 1-11	4460049	4-41				

SECTION 11 PARTS NUMBER INDEX

Part Number	Page	Part Number	Page	Part Number	Page	Part Number	Page
4460865	7-38, 7-39, 7-47	4640862	5-27	4751400	2-24, 2-30, 2-58, 2-65, 2-68, 2-72, 3-5, 3-10, 3-17, 3-27, 3-28, 3-29, 4-8, 4-13, 4-18, 4-45, 8-4	4845184	2-38
4460866	7-38, 7-39, 7-46, 7-47, 7-48	4640866	2-3			4845194	2-68, 2-72
4460871	4-18, 4-27, 4-28, 4-37, 4-38, 7-38, 7-39, 7-40, 7-41, 7-46, 7-48, 7-49, 7-50	4640871	1-3, 1-7			4845200	2-68
4460873	7-38, 7-40, 7-46, 7-48	4640902	5-15			4845203	2-68, 2-72
4460874	2-57, 7-38, 7-46, 7-48	4640906	2-5, 6-6			4845281	1-27
4460875	2-58, 7-38, 7-46, 7-48	4640907	2-3			4845283	1-27
4460876	7-39, 7-48	4640908	2-3	4751500	1-5, 1-9, 2-39, 2-68, 2-72, 4-3, 4-41	4845287	4-4
4460878	7-39, 7-48	4640920	2-3, 2-7			4845288	4-4
4460879	7-38, 7-46	4640921	2-4, 2-11	4751600	2-24, 2-30, 2-39, 2-49, 2-51, 2-68, 2-72, 2-73, 3-5, 3-10, 4-8, 4-12, 4-18, 4-42, 4-45, 5-27	4845289	4-3, 4-4
4460880	7-40, 7-49	4640922	2-4, 2-11			4845290	4-3, 4-4
4460887	7-38, 7-39, 7-46, 7-48	4640923	1-5, 1-8			4845308	4-41
4460889	7-40, 7-49	4640925	3-27			4845309	4-41
4460890	7-40, 7-49	4640929	3-27			4845327	4-4
4460891	7-47	4640930	2-3			4845328	4-3
4460897	7-47	4640932	5-10	4751800	1-3, 1-7, 2-25, 2-31, 2-51, 2-68, 3-14, 4-41, 4-45	4845394	2-31
4460905	2-58, 4-18, 7-46, 7-48	4640937	1-9			4845395	2-30
4460959	7-50	4640939	6-9			4845404	2-29
4460960	7-50	4640999	5-29	4751900	2-38	4845414	2-72
4460968	3-27, 3-28	4641045	3-27	4752000	2-25, 2-31	4845426	4-4
4520171	1-14	4641097	2-3, 2-7	4760600	2-54, 2-55	4845450	1-27
4520172	1-14	4641105	3-27	4761000	2-68, 2-72, 4-5, 4-13, 4-19	4845451	1-27
4520173	1-14	4641139	3-27			4845531	2-38
4520210	1-14	4641162	5-3	4761400	2-58, 3-31, 4-45, 4-46	4845682	3-4, 3-9
4520211	1-14	4711000	4-13			4846005	3-3
4520259	1-14	4711400	1-3, 1-7, 2-4, 2-25, 2-31, 2-61, 3-27, 4-5, 4-8, 4-42, 10-3	4761500	4-41	4846006	3-8
4566408	5-17	4711500	1-27, 2-4, 2-5, 2-25, 4-19, 6-6	4761600	1-27	4846081	3-4, 3-9
4566425	5-27	4711600	1-3, 1-4, 1-7, 1-8, 1-27, 2-4, 2-25, 2-31, 3-4, 3-10, 3-13, 3-19	4770600	2-65	4846101	4-4
4566468	5-5, 5-9, 5-21	4711800	2-65, 3-4, 3-10	4791400	2-25, 2-31	4846102	4-4
4566471	5-15	4711900	2-31	4812000	4-45	4846103	4-4
4566501	5-13	471900	2-31	4831900	2-25, 2-34	4846184	4-3
4566667	5-19	471900	2-31	4832000	2-25, 2-34	4846194	4-4
4566832	1-3, 1-7	4712600	1-27	4844790	3-4, 3-9	4846195	4-4
4566892	3-14	4713000	1-27	4844815	3-9	4846228	4-4
4566986	2-25	4713400	1-27	4844816	3-9	4846229	4-4
4567112	2-29	4740016	1-5	4844817	3-9	4846240	4-4
4567172	1-27	4740076	2-68, 2-73	4844924	4-4	4846241	4-4
4567241	3-14	4740158	1-3, 1-4, 1-7, 1-8	4844925	4-4	4846452	4-7
4567815	2-31	4740171	2-72	4844927	4-3	4846479	2-29
4640113	1-14	4740274	2-31	4844928	4-4	4846566	2-29
4640261	1-27	4740362	2-62, 4-8, 4-12, 4-18	4844929	1-3, 1-4	4846573	3-5, 3-11
4640438	5-17	4740397	2-39, 4-19	4844945	3-3, 3-8	4846673	4-7
4640509	5-5, 5-9, 5-13, 5-15, 5-17, 5-19, 5-29	4740411	4-4	4844954	4-4	4860158	1-14
4640525	5-3	4740439	3-9	4844955	4-4	4891400	2-4
4640605	5-13, 5-19	4740444	2-54, 2-58	4844956	4-4	4891500	2-5, 6-6
4640647	5-29	4750600	2-54, 2-55, 2-65	4844958	2-13	4891600	2-24, 2-30, 2-65, 3-5, 3-11
4640744	6-11	4750800	2-4	4844960	1-3, 1-4	4891800	1-13, 2-4, 2-13, 2-65, 3-5, 3-11
4640751	2-23, 2-29	4751000	2-24, 2-30, 2-39, 2-54, 2-62, 2-65, 2-68, 2-72, 4-5, 4-7, 4-13, 4-15, 4-41	4844961	2-23	4892000	1-13, 2-13
4640858	5-3			4844964	2-49	4892600	3-5, 3-11
				4844969	3-18	4920385	2-25
				4844972	3-18	4921737	2-53, 7-31
				4844978	3-18	4921739	2-53, 7-31
				4844979	3-18	4921771	2-4, 7-33
				4844983	3-14	4921772	2-4, 7-33
				4844984	3-14	4921820	7-34, 7-41
				4845041	1-7	4921828	7-34
				4845080	2-23	4921829	7-34
				4845127	3-4, 3-10	4921848	2-53, 7-31
				4845162	2-23		
				4845163	2-65		

SECTION 11 PARTS NUMBER INDEX

Part Number	Page	Part Number	Page	Part Number	Page	Part Number	Page
4921850	10-3	4932989	7-3, 7-34	7000269	2-15	7003955	4-21
4921922	2-53, 7-31	4932990	7-2	7000270	2-15	7003956	4-21, 4-25
4921925	2-53, 7-31	4932992	7-2	70002724	4-37	7003957	4-21, 4-31
4921927	2-4, 7-33, 7-41, 7-50	4932993	7-2	70002725	4-37	7003958	4-21
4921928	2-4, 7-33, 7-41, 7-50	4933006	7-3	70002726	4-37	7003959	4-21
4921938	7-34	4933025	7-2	70002727	4-37, 4-38	7003960	4-21
4921957	7-34, 7-42, 7-50	4933026	7-2	70002728	4-37	7003961	4-21
4921991	4-15, 7-28	4933027	7-4	70002729	4-38	7003963	4-31
4921992	7-30	4933158	7-3, 7-41	70002730	4-27	7003966	4-31
4921994	4-15, 7-28	4933162	7-3, 7-41	70002731	4-27	7003967	4-31
4922002	7-30	4933185	7-4, 7-39	70002732	4-27	7003968	4-31
4922008	7-30	4933214	7-48, 7-49	70002733	4-27	7003969	4-35, 4-37
4922012	10-3	4933215	7-50	70002734	4-27	7003972	4-31, 4-35, 4-38
4922095	7-3	4933216	7-50	70002735	4-28	7003973	4-31, 4-35, 4-38
4922304	7-2	4933218	7-4	70002813	2-32	7003974	4-21, 4-25, 4-31
4922482	7-41, 7-50	4933219	7-3	70003483	4-8	7003976	4-21, 4-25, 4-27
4922483	7-41	70000123	2-37	70003556	2-33	7003977	4-21, 4-25, 4-27
4922484	7-3	70000124	2-38	70003784	4-11, 4-18	7003978	4-31
4922485	2-58, 4-18	70000125	2-38	7000625	4-7, 4-13, 4-18	7003980	4-35, 4-38
4922493	7-38, 7-47	70000579	2-7	7000663	2-26, 2-32, 2-33	7003981	4-31
4922494	7-39, 7-47	70000580	2-7	7000699	2-26, 2-32	7003982	4-31, 4-38
4922508	7-40, 7-48, 7-49	70000582	2-7	7000731	1-20	7003983	4-35, 4-38
4922509	4-18, 7-3, 7-38	70000583	2-7	7000796	1-19	7003984	4-31
4922515	7-40, 7-48, 7-49	70000787	2-26	7001438	2-43	7003985	4-32
4922516	7-39	70001002	2-32, 2-33	7001498	2-43	7003986	4-37
4922616	7-2	70001017	2-32	7001625	5-25	7003989	4-35, 4-38
4922637	7-48	7000126	2-38	7001626	5-25	7003992	4-25, 4-27, 4-35, 4-37
4922638	7-48	70001423	2-33	7001627	5-25	7003993	4-25, 4-27, 4-35, 4-37
4922639	4-18, 7-3, 7-46	70001498	2-33	7001628	5-25	7003994	4-37
4922641	7-50	70001681	2-32, 2-33	7001629	5-25	7004275	10-3
4922643	7-42, 7-51	70001697	3-22, 3-25	7001630	5-25	7004276	10-3
4922666	2-58, 4-18, 7-46, 7-49	70001941	2-61	7001633	5-25	7005841	2-21
4922810	7-47	70001976	2-7, 2-8, 2-11	7001711	1-17	7005842	2-21
4922811	7-47	70001999	3-18	7001909	2-15	7005845	2-21
4922939	7-4	70002000	3-18	7001911	2-15	7005848	2-21
4932783	7-2	70002001	3-14	7001928	2-15	7005881	2-21
4932812	7-4	70002002	3-14	7001931	2-15	7005882	2-21
4932828	7-3, 7-34	70002011	3-18	7001985	2-15	7005889	2-21
4932839	7-3	70002012	3-18	7001987	2-15	7005890	2-21
4932848	7-3, 7-28	7000209	2-15	7001988	2-15	7005891	2-21
4932849	7-3, 7-28	7000214	2-15	7002821	7-35, 7-42, 7-51, 10-3	7005892	2-21
4932850	7-4, 7-30	7000217	2-15	7002822	10-3	7005893	2-21
4932894	7-2	70002234	2-26, 2-33	7002823	7-35, 7-42, 7-51, 10-3	7005894	2-21
4932896	7-2	70002235	2-38	7002826	10-3	7005895	2-21
4932902	7-2	70002239	2-38	7002828	7-42, 7-51	7006140	3-18, 9-1
4932903	7-2	70002240	2-38	7002840	10-3, 10-4	7006151	3-18
4932904	7-4	7000228	2-15	7003657	2-38	7006152	3-13, 3-18, 9-1
4932905	7-3, 7-28	7000229	2-15	7003886	4-32	7006158	3-18
4932914	7-3, 7-28	7000230	2-15	7003928	4-25, 4-27	7006161	3-18
4932915	7-3, 7-34	70002411	2-32, 2-33	7003933	4-37	7007208	2-42, 2-43
4932917	7-3	7000242	2-15	7003935	4-35, 4-37	7007412	2-44
4932940	7-3, 7-34	7000246	2-15	7003941	4-35, 4-37	7007413	2-42
4932971	7-4	7000253	2-15	7003946	4-31, 4-35, 4-37	7007414	2-42
4932974	7-3, 7-28	70002530	2-32, 2-33	7003951	4-21	7007416	2-42
4932976	7-4, 7-30	7000255	2-15	7003952	4-25	7007417	2-42
4932977	7-2	7000256	2-15	7003953	4-25, 4-27	7007419	2-42
4932978	7-2	7000257	2-15	7003954	4-21, 4-25	7007420	2-42
4932980	7-4	7000258	2-15				
4932986	7-2	7000263	2-15				

SECTION 11 PARTS NUMBER INDEX

Part Number	Page	Part Number	Page	Part Number	Page	Part Number	Page
7007421	2-42	7007633	2-15	7012560	2-53	7012992	1-8
7007423	2-42	7007914	2-17	7012599	2-26, 2-32	7012993	1-5, 1-8
7007424	2-42	7007923	1-19, 2-18	7012611	2-53, 4-12	7012994	1-9
7007425	1-23, 2-42	7007924	1-20	7012612	2-53, 4-12	7012998	2-7, 2-8, 2-11
7007426	1-23	7007933	1-20	7012664	2-23, 2-29, 9-1	7013187	2-51
7007427	1-23	7007934	2-18	7012693	1-3, 1-7	7013711	2-3
7007428	1-23	7007970	1-19, 2-17	7012694	2-3	7013755	2-3
7007429	1-23	7007977	1-19, 2-17	7012698	2-26	7013796	2-3
7007430	1-23	7007979	1-19, 2-17	7012699	2-3	7013799	2-3
7007431	1-23	7007980	1-19, 2-17	7012700	1-25	7014676	10-3
7007434	1-23	7007983	1-19, 2-17	7012701	1-25	7014700	1-17
7007435	2-42	7007985	1-19, 2-17	7012702	1-25	7014701	1-17
7007436	2-42	7007986	1-19	7012703	1-25	7014702	1-17
7007437	1-23, 2-42	7007987	1-19, 2-17	7012704	1-25	7014706	1-17
7007438	1-23, 2-42	7008833	2-23, 2-29, 7-32	7012705	1-25	7014709	1-17
7007439	1-23, 2-42	7008835	2-23, 2-30	7012706	1-25	7014710	1-17
7007440	2-42	7008836	2-23, 2-30, 7-32	7012707	1-25	7014711	1-17
7007441	2-42	7010103	2-47	7012708	1-25	7014712	1-17
7007442	2-42	7010104	2-47	7012709	1-25	7014713	1-17
7007444	2-42	7010105	2-47	7012710	1-25	7014714	1-17
7007445	2-42	7010108	1-23	7012711	1-25	7014715	1-17
7007446	1-23	7010109	1-23	7012712	1-25	7014716	1-17
7007449	2-42	7010110	1-23	7012713	1-25	7014717	1-17
7007453	2-43	7010111	1-23	7012714	1-25	7014718	1-17
7007454	2-43	7010112	1-23	7012715	1-25	7014719	1-17
7007456	2-43	7010113	1-23	7012716	1-25	7014720	1-17
7007458	2-43	7010114	1-23	7012766	2-7	7014721	1-17
7007459	1-23	7010115	1-23	7012768	2-7, 9-1	7014722	1-17
7007461	2-43	7010116	1-23	7012769	2-7, 2-8	7014723	1-17
7007463	2-43	7010117	1-23	7012770	2-7, 2-8, 2-11	7014724	1-17
7007466	2-43	7010118	1-23	7012772	2-7, 2-8, 2-11, 9-1	7014725	1-17
7007468	2-43	7010119	1-23	7012773	2-7, 2-8, 2-11	7014726	1-17
7007469	2-43	7010120	2-44	7012774	2-8, 2-11	7014727	1-17
7007470	2-43	7010121	2-43	7012775	2-7, 2-8	7014728	1-17
7007471	2-43	7010474	2-15	7012776	2-11	7014729	1-17
7007472	2-43	7010488	2-15	7012799	2-8	7014730	1-17
7007474	2-43	7010492	2-15	7012905	2-5, 6-6	7014731	1-17
7007475	2-43	7010494	2-15	7012907	2-3	7014800	2-49
7007476	2-44	7010542	2-7, 2-8	7012914	2-7, 2-8	7014801	2-49
7007477	2-44	7010543	2-7, 2-8	7012918	2-7, 2-8	7014802	2-49
7007478	2-43	7011112	5-10	7012941	2-3	7014803	2-49
7007482	2-43	7011185	5-29	7012944	2-3, 2-5, 2-7, 6-6, 9-1	7014810	2-49, 9-1
7007483	2-43	7011328	2-3		1	7014811	2-49
7007484	2-43	7011331	3-21, 3-22	7012953	2-3, 2-7, 2-11, 3-27, 5-15	7016206	1-14
7007485	2-43	7011332	3-22			7016309	2-26
7007486	2-43	7011346	3-22	7012954	2-3	7016312	2-3, 9-1
7007487	2-43	7011712	1-19	7012959	2-3	7016313	2-4, 9-1
7007488	2-43	7011713	1-19, 2-17	7012961	2-3, 5-15	7016314	2-49
7007489	2-47	7011714	1-19, 2-17	7012965	2-11	7016315	2-53, 4-12
7007490	2-43	7011715	1-19, 2-17	7012967	2-7, 2-8	7016322	2-65
7007491	2-43	7011716	1-19, 2-17	7012969	2-8	7016328	2-26, 2-33
7007492	2-43	7011717	1-19, 2-17	7012970	3-27	7016329	2-26, 2-32
7007494	2-43	7011719	2-17	7012972	2-5, 6-6	7016330	2-26, 2-32
7007496	2-43	7011720	2-17	7012974	2-5, 6-6	7016331	2-26, 2-32, 2-33, 9-1
7007497	2-43, 7-33, 7-40, 7-49	7012442	1-5	7012978	1-9	7016332	2-26, 2-32, 2-33
7007498	2-43, 7-33, 7-40, 7-49	7012513	2-37	7012980	1-5, 1-8, 1-9	7016336	7-32
7007499	2-43	7012514	2-37	7012987	2-47	7016342	2-51
		7012518	2-7	7012988	2-47	7016346	4-12
		7012558	2-37	7012989	2-7	7016359	2-32

SECTION 11 PARTS NUMBER INDEX

Part Number	Page	Part Number	Page	Part Number	Page	Part Number	Page
7016374	2-65	7017428	2-7, 2-8	7019658	2-25, 2-31, 2-49	7022818	4-27, 9-1
7016380	2-61	7018602	1-19, 2-17	7019664	2-32	7022819	4-27, 4-28, 7-40, 7-49
7016399	4-5, 4-8, 7-35, 7-42, 7-51	7018603	1-19, 2-18	7020023	2-26	7022822	4-37
7016422	2-21	7018605	1-19, 2-17	7020025	2-32	7022823	4-37
7016423	2-21	7018606	1-19, 2-17	7020027	2-32, 2-34	7022824	4-37, 9-1
7016424	2-21	7018607	1-19, 2-17	7020057	4-45	7022825	4-37, 4-38, 7-41, 7-50
7016425	2-21	7018608	1-20, 2-18	7020058	4-45	7023331	4-45
7016426	2-21	7018609	1-19, 2-17	7020059	4-45	7023332	4-45
7016427	2-21	7018612	1-20, 2-18	7020108	2-37	7023333	4-45
7016502	3-13, 9-1	7018912	2-7, 2-8, 2-11	7020109	2-37	7023340	2-23, 2-30
7016510	3-13	7018942	2-11	7020110	2-37	7024398	2-32
7016519	3-18	7018945	2-11	7020111	2-37	7024413	2-33
7016521	3-18	7018946	2-11	7020135	1-14	7024560	2-32
7016639	2-32	7018948	2-11	7020168	2-33	7024565	2-26, 2-33
7016640	2-32	7018952	2-8	7020175	2-53, 4-12, 4-18	7024598	2-65
7016641	2-32	7019103	4-35, 4-37	7020176	2-53, 4-12, 4-18	7026199	2-37
7016652	4-3, 10-3	7019104	4-21	7020190	2-37	7026522	2-33
7016654	10-3	7019110	4-35, 4-37	7020191	2-38	7026607	2-33
7016655	10-3	7019111	4-21, 4-25, 4-27, 4-35, 4-37	7020192	2-38	7026608	2-33
7016700	2-3	7019112	4-35, 4-37	7020193	2-37	7026631	2-32, 2-33
7016701	2-3	7019114	4-37	7020246	2-57	7027250	2-26, 2-32
7016702	2-3	7019115	4-35, 4-37	7020404	2-26, 2-32	7027276	2-33
7016744	2-3	7019117	4-35	7020408	2-26, 2-33	7027887	2-38
7016800	2-24, 2-31	7019122	4-21, 4-25, 4-27	7020410	2-26, 2-32, 2-33	8320270	2-32, 2-33, 9-1
7016802	2-24, 2-31	7019123	4-22, 4-25, 4-27	7020411	2-26, 2-33	8896941	7-35, 10-3
7016803	2-24, 2-31	7019123	4-22, 4-25, 4-27	7020414	2-32		
7016804	2-24, 2-31	7019141	4-25, 4-27	7020418	2-26		
7016805	2-24	7019142	4-25, 4-27	7020419	2-26, 2-32		
7016812	2-24, 2-31	7019143	4-25, 4-27	7020425	2-32		
7017089	2-15	7019144	4-25, 4-27	7020427	2-26, 2-32		
7017101	3-21	7019145	4-25, 4-27	7020431	2-26, 2-32		
7017102	3-21	7019147	4-25, 4-27	7020436	2-32		
7017106	3-22	7019149	4-25, 4-27	7020449	2-33		
7017115	3-21	7019150	4-25, 4-27	7020458	2-33		
7017116	3-21	7019151	4-35, 4-37	7020461	2-33		
7017117	3-21	7019153	4-35	7020462	2-33		
7017118	3-22	7019154	4-35, 4-37	7020463	2-32, 2-33		
7017119	3-21	7019155	4-35, 4-37	7020464	2-33		
7017142	3-22	7019156	4-35	7020465	2-32, 2-33		
7017156	3-22	7019157	4-35	7020468	2-33		
7017157	3-22	7019158	4-35	7020471	2-32, 2-33		
7017158	3-22, 3-25	7019159	4-35	7020474	2-33		
7017159	3-22, 3-25	7019160	4-31, 4-35, 4-37	7020477	2-26, 2-32		
7017162	3-21, 3-25	7019161	4-35, 4-37	7020479	2-33		
7017163	3-21, 3-25	7019162	4-35, 4-37	7020480	2-33		
7017164	3-21, 3-25	7019163	4-35	7020481	2-33		
7017174	3-21	7019164	4-35, 4-38	7020487	2-33		
7017177	3-21	7019165	4-35, 4-38	7021214	2-43		
7017183	3-21, 3-22, 3-25	7019166	4-35, 4-38, 9-1	7021310	2-8		
7017193	3-21, 3-22, 3-25	7019167	4-35, 4-38	7022203	2-3		
7017410	2-7	7019168	4-35, 4-37	7022808	4-25, 4-27		
7017411	2-7	7019171	4-27	7022810	4-35		
7017418	2-7	7019174	4-25, 4-27	7022811	4-21, 4-25		
7017420	2-8, 2-11	7019177	4-27	7022812	4-37, 4-38		
7017421	2-11	7019192	4-21	7022813	4-21, 4-25		
7017422	2-11	7019193	4-21	7022814	4-27		
7017423	2-8	7019194	4-35, 4-38	7022815	4-27		
7017427	2-7	7019197	4-25, 4-27	7022816	4-27		
		7019607	2-26, 2-32	7022817	4-27		

SECTION 11 PARTS NUMBER INDEX

Part Number	Page	Part Number	Page	Part Number	Page	Part Number	Page
-------------	------	-------------	------	-------------	------	-------------	------



3120841



An Oshkosh Corporation Company

Corporate Office
JLG Industries, Inc.
1 JLG Drive
McConnellsburg PA. 17233-9533
USA

☎ (717) 485-5161

📠 (717) 485-6417

JLG Worldwide Locations

JLG Industries (Australia)
P.O. Box 5119
11 Bolwarra Road
Port Macquarie
N.S.W. 2444
Australia

☎ +61 2 65 811111

📠 +61 2 65 813058

JLG Latino Americana Ltda.
Rua Eng. Carlos Stevenson,
80-Suite 71
13092-310 Campinas-SP
Brazil

☎ +55 19 3295 0407

📠 +55 19 3295 1025

JLG Industries (UK) Ltd
Bentley House
Bentley Avenue
Middleton
Greater Manchester
M24 2GP - England

☎ +44 (0)161 654 1000

📠 +44 (0)161 654 1001

JLG France SAS
Z.I. de Baulieu
47400 Fauillet
France

☎ +33 (0)5 53 88 31 70

📠 +33 (0)5 53 88 31 79

JLG Deutschland GmbH
Max-Planck-Str. 21
D - 27721 Ritterhude - Ihlpohl
Germany

☎ +49 (0)421 69 350 20

📠 +49 (0)421 69 350 45

JLG Equipment Services Ltd.
Rm 1107 Landmark North
39 Lung Sum Avenue
Sheung Shui N. T.
Hong Kong

☎ (852) 2639 5783

📠 (852) 2639 5797

JLG Industries (Italia) s.r.l.
Via Po. 22
20010 Pregnana Milanese - MI
Italy

☎ +39 029 359 5210

📠 +39 029 359 5845

Oshkosh-JLG Singapore
Technology Equipment Pte
Ltd
29 Tuas Ave 4,
Jurong Industrial Estate
Singapore, 639379

☎ +65-6591 9030

📠 +65-6591 9031

Plataformas Elevadoras
JLG Iberica, S.L.
Trapadella, 2
P.I. Castellbisbal Sur
08755 Castellbisbal, Barcelona
Spain

☎ +34 93 772 4700

📠 +34 93 771 1762

JLG Sverige AB
Enkopingsvagen 150
Box 704
SE - 176 27 Jarfalla
Sweden

☎ +46 (0)850 659 500

📠 +46 (0)850 659 534